

Instruction Manual

Rain Shower System



A



B

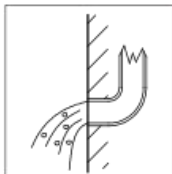
CONTENT

1.INSTALLATION CONDITION

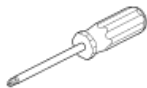
1.Installation Condition	1
2.Single function black square shower faucet (Model:A)	2
3.Single function black square shower faucet (Model:B)	7
4.Care And Maintenance	12

♦ Installation Condition

1. Check the Accessories List to verify that all parts are complete in this package.
2. Do not disassemble the main body by yourself.
3. Connect inlet pipes to supply valves.
4. Make sure inlet pipes and supply valves have been installed and cleaned, with no impurities in the pipeline.
5. After installation, check all joints for leakages.
6. Do not leave the rain shower system exposed to a severely corrosive environment.



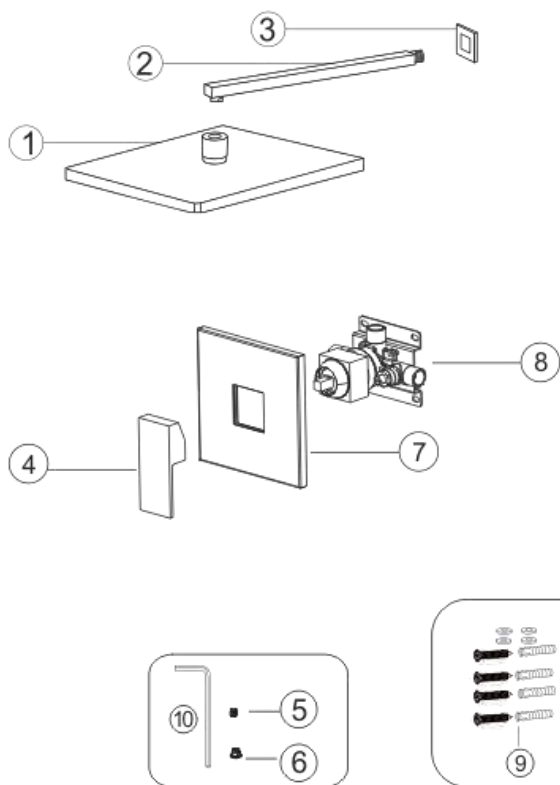
YOU MAY NEED:



◆ **Single function black square shower faucet**

Model:A

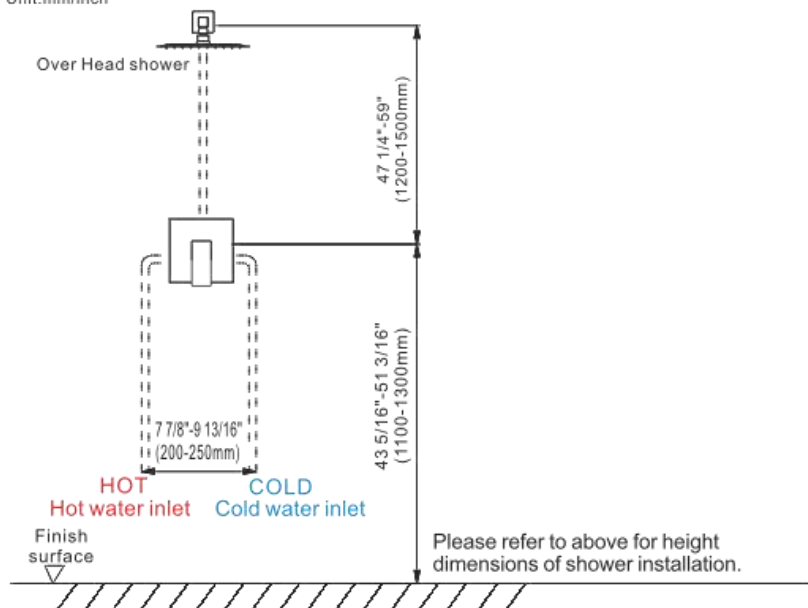
Accessories List



No.	Part name	Qty	No.	Part name	Qty
1	Shower head	1	8	Mainbody	1
2	Shower arm	1	9	Body box fittings	4
3	Shower arm cup	1	10	Wrench	1
4	Handle	1	11	Instruction manual	1
5	Handle screw	1	12	Gloves	2
6	Handle cup	1			
7	Panel	1			

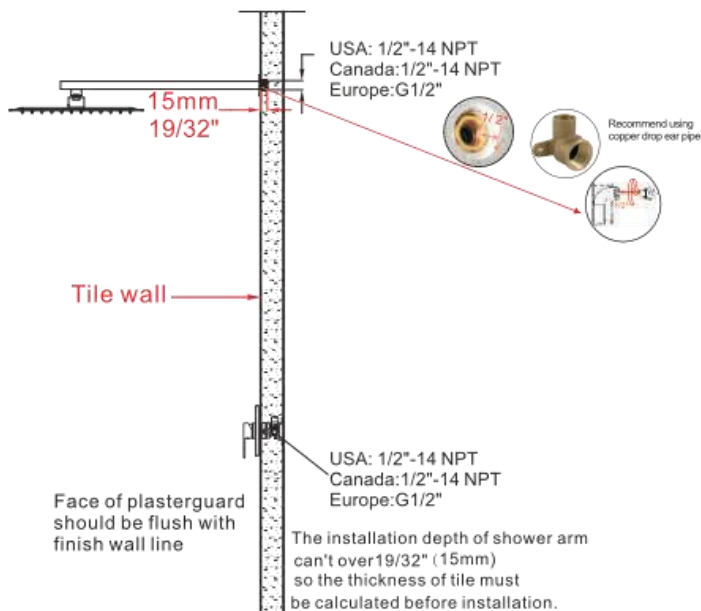
◆ Essential Dimensions

Unit:mm/inch



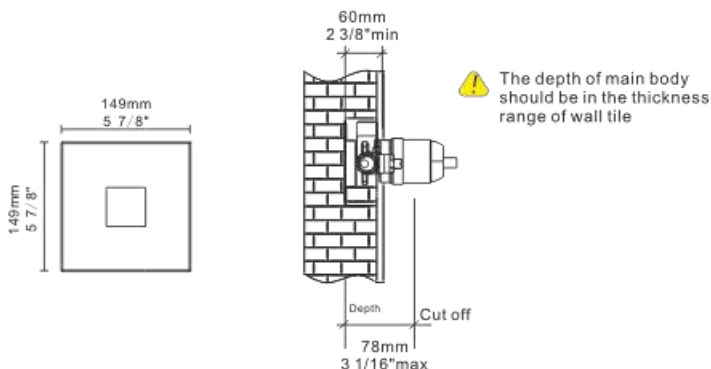
◆ Installation Depth Of Shower Arm

Unit:mm/inch



◆ 1 Way Function Main Body Connecting Pipe Schematic Diagram

Unit:mm/inch



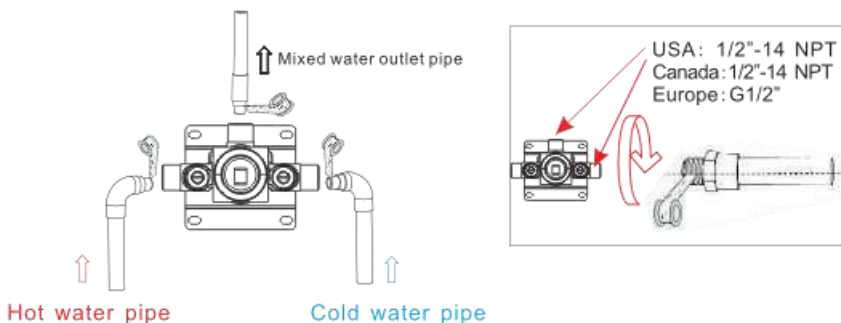
- Notice:** 1. The installation depth of main body should be no less than 2 3/8"(60mm) and no more than 3 1/16"(78mm) , including the thickness of tile. Other wise, the panel cannot be installed.
2. The opening size of ceramic tile shall be smaller than the panel size

◆ Piping Instructions Before Tiling



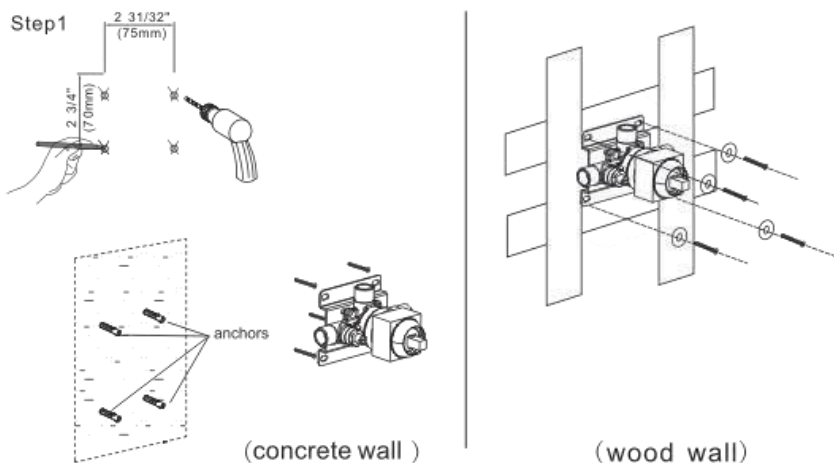
Warning: must install hot water and cold water inlet strictly as instructions.

Wrap enough teflon tape



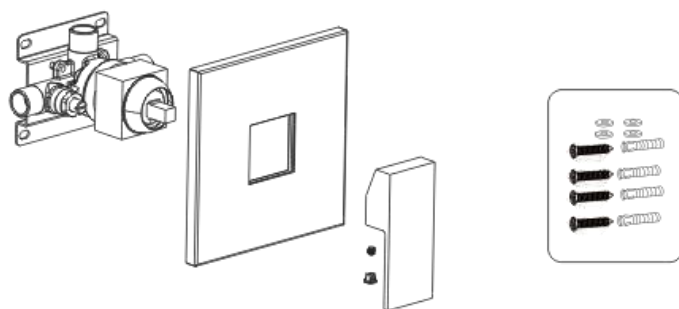
1. As shown in the figure, the inlet and outlet pipes are pre-buried. Please pay attention to the correct direction of installing the pre-buried main body.
2. Before tiling, turn on the water to test whether the left and right inlet pipes are tightly connected without leakage. Then, adjust the flow switch to be on to check the mixed outlet pipes for leakages.

◆ Main Body Valve Installation



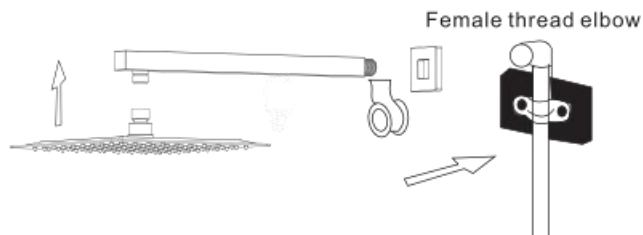
- 1.Make marks according to the size of the main body valve and then drill anchors into the wall(concrete wall)
- 2.Lock main body to wood directly with screws(wood wall)

◆ Main Body Valve Installation



Install the handle with the screw and handle cap.

◆ Installation Of Rain Shower Head & Shower Arm

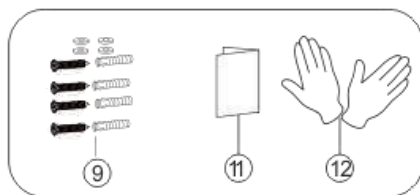
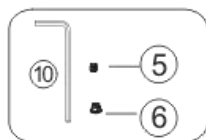
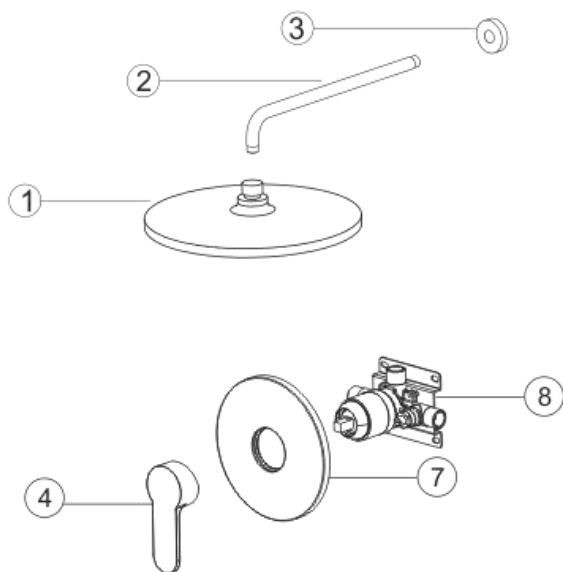


1. Connect shower arm with the cover before screwing arm into riser connection to prevent damage.
2. Fix shower head onto shower arm and apply tape to pipe threads on both ends.
3. Do not overtighten shower head. It is 360° swivel connection.

◆ Single function black square shower faucet

Model:B

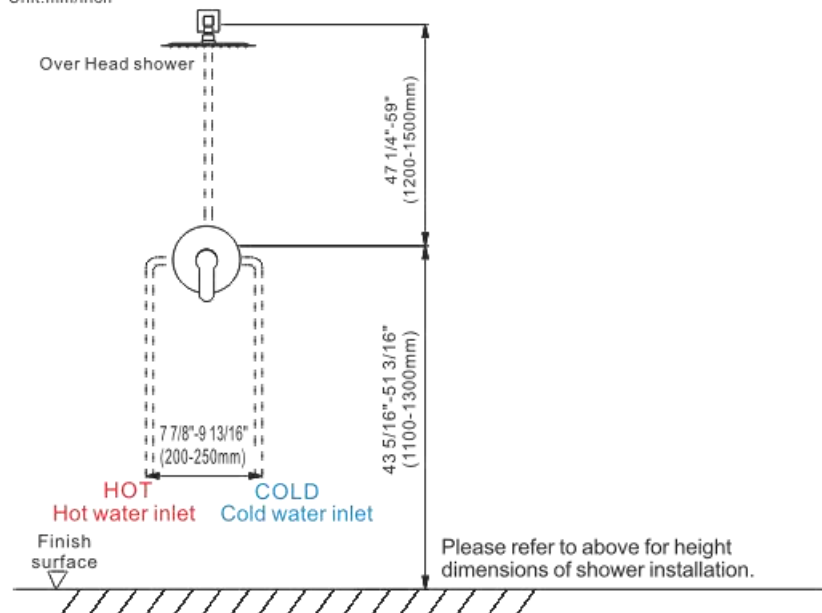
Accessories List



No.	Part name	Qty	No.	Part name	Qty
1	Shower head	1	8	Mainbody	1
2	Shower arm	1	9	Body box fittings	4
3	Shower arm cup	1	10	Wrench	1
4	Handle	1	11	Instruction manual	1
5	Handle screw	1	12	Gloves	2
6	Handle cup	1			
7	Panel	1			

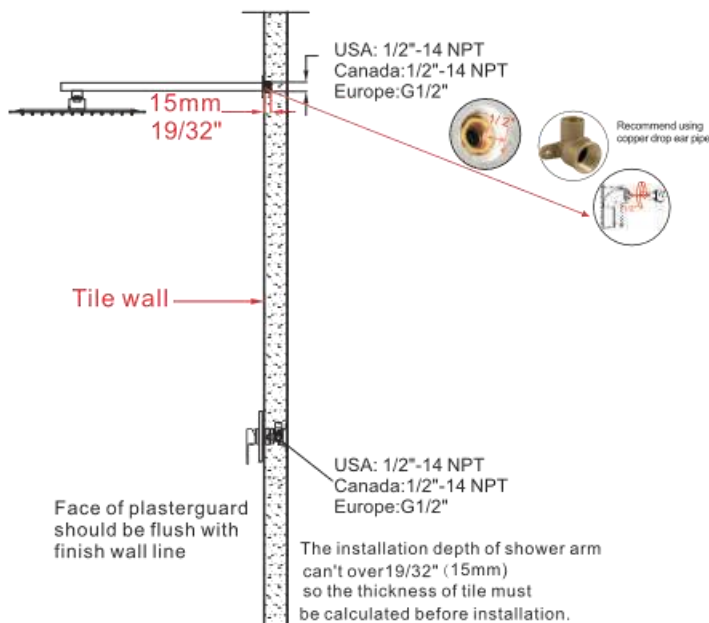
◆ Essential Dimensions

Unit:mm/inch



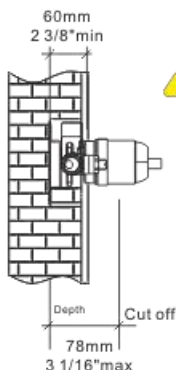
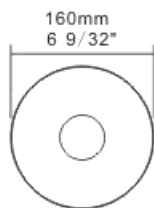
◆ Installation Depth Of Shower Arm

Unit:mm/inch



◆ 1 Way Function Main Body Connecting Pipe Schematic Diagram

Unit:mm/inch



⚠ The depth of main body should be in the thickness range of wall tile

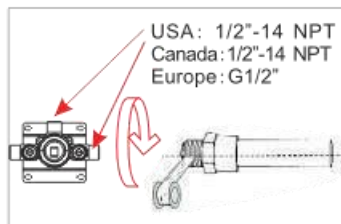
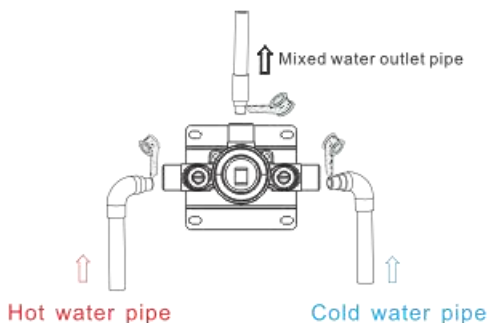
- Notice:** 1. The installation depth of main body should be no less than 2 3/8"(60mm) and no more than 3 1/16"(78mm) , including the thickness of tile. Other wise, the panel cannot be installed.
2. The opening size of ceramic tile shall be smaller than the panel size

◆ Piping Instructions Before Tiling



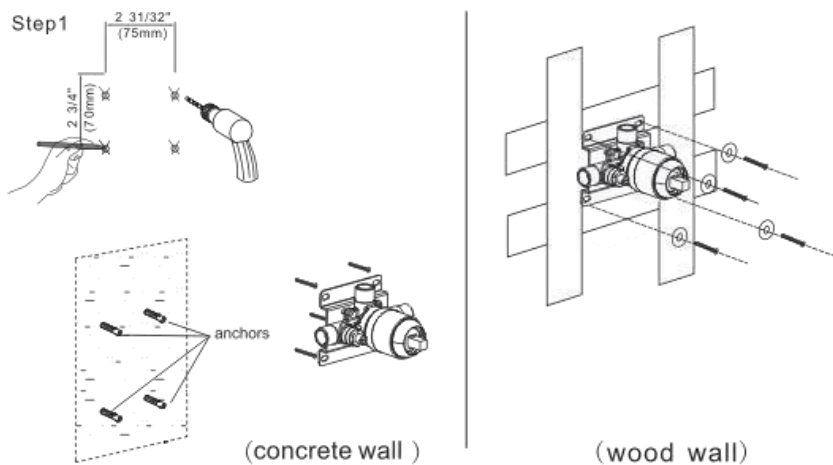
Warning: must install hot water and cold water inlet strictly as instructions.

Wrap enough teflon tape



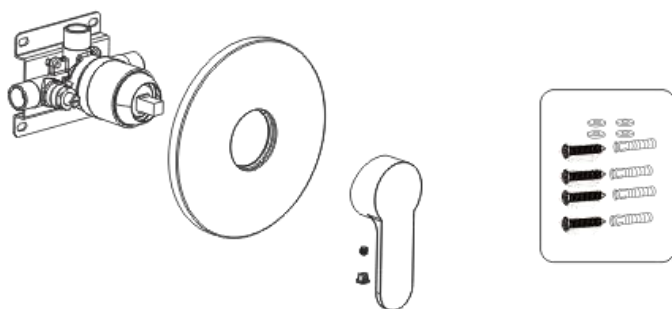
1. As shown in the figure, the inlet and outlet pipes are pre-buried. Please pay attention to the correct direction of installing the pre-buried main body.
2. Before tiling, turn on the water to test whether the left and right inlet pipes are tightly connected without leakage. Then, adjust the flow switch to be on to check the mixed outlet pipes for leakages.

◆ Main Body Valve Installation



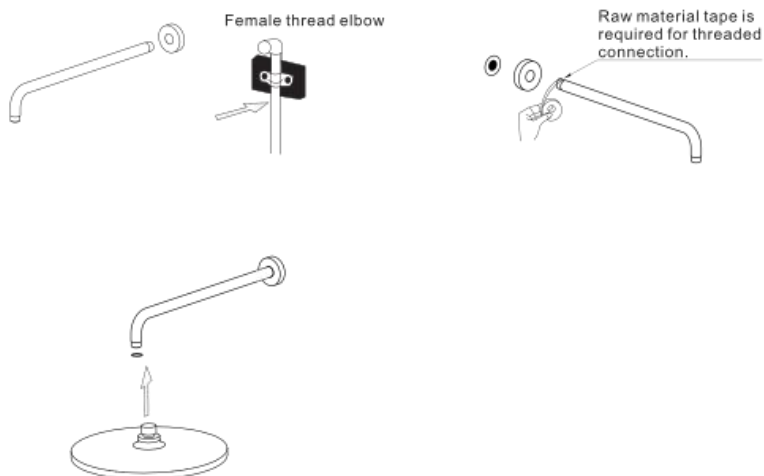
1. Make marks according to the size of the main body valve and then drill anchors into the wall (concrete wall)
2. Lock main body to wood directly with screws (wood wall)

◆ Main Body Valve Installation



Install the handle with the screw and handle cap.

◆ Installation Of Rain Shower Head & Shower Arm



1. Connect shower arm with the cover before screwing arm into riser connection to prevent damage.
2. Fix shower head onto shower arm and apply tape to pipe threads on both ends.
3. Do not overtighten shower head. It is 360° swivel connection.

◆ CARE AND MAINTENANCE

In order to keep the mixer surface bright , please clean the mixer regularly.

Rinse faucet with clean water and wipe with soft cotton cloth.

Avoid using cleaning powder , harsh cleaning chemicals, brushes, and cloth with coarse surface to prevent scratching and corrosion.

Do not use acid cleaner to clean the faucet as it may cause surface corrosion of the faucet. If the faucet comes into contact with harmful acid substances, please rinse it with water immediately.



◆ IF A LARGE-SCALE CLEAN-UP IS NECESSARY, FOLLOW THESE PROCEDURES:

1: Use clean water and soft cloth to remove dirt on the surface as much as possible.

2: Use one of the following cleaners to remove dirt on the surface

Mild liquid cleaner.

Colorless glass cleaner, powder cleaner which does not have abrasive function and can be dissolved completely.

Polish liquid which does not have abrasive function.

3: After cleaning, remove the cleansing agent with clean water completely and wipe with soft cotton cloth.