



Website: www.casainc.com

Contact Phone Number: 888-257-3857

Service Contact: service@casainc.com

INDUSTRIAL BRIDGE KITCHEN FAUCET INSTALLATION INSTRUCTIONS

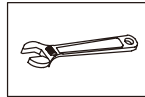
Notes before installation:

1. Please check that all components are present.
2. Before installation ensure that all feed lines are clear of debris and on/off valve is present.
3. Ensure water pressure is between 20-125 PSI (includes combination of hot and cold feed lines).
4. Pictures in the manual are general in content and may not represent exactly your purchased faucet. If you are having difficulties please contact us.
5. If you will be away from home for an extended period you should shut off the main water supply.

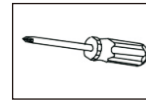
Daily maintenance:

1. Use a soft cloth and vinegar to remove hard-water spots.
2. Check aerator (if present) regularly for calcium build up. When water stream is not optimum.
3. DO NOT use caustic cleaning products as the use will break down finish and will void the product warranty.
4. Acceptable cleaners include vinegar or mild non-abrasive liquid detergents.
5. If the water pressure appears to be less than optimum remove, inspect, clean or replace aerator.

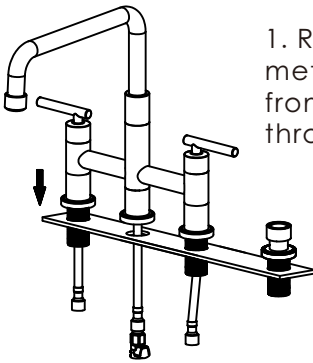
Tools we will need:



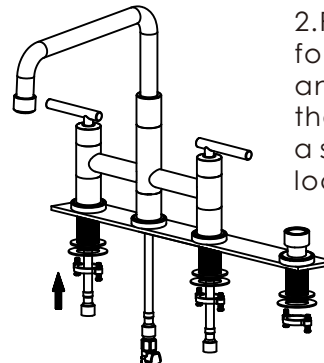
Adjustable Wrench



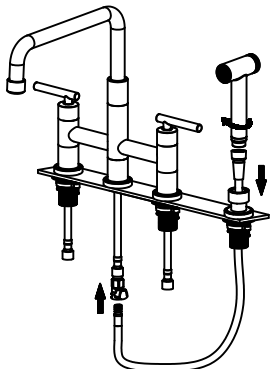
Philips Screwdriver



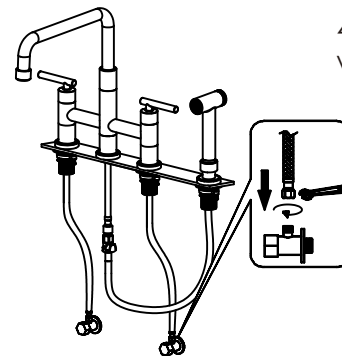
1. Remove the rubber washer, metal washer and locking nut from the faucet. Install faucet through center hole



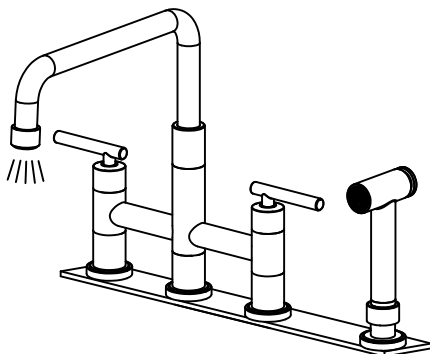
2. Re-install the rubber washer followed by the metal washer and lock-nut. Hand tighten then tighten further using a screw driver to tighten lock-nut screws



3. Install quick connector. Connect the sprayer hose



4. Attach flexible hose to water supply.



5. Remove the aerator and turn on faucet for 1-minute to flush debris. Close the handle and re-assemble aerator.

Note: Pictures in the manual are general in content and may not represent exactly your purchased faucet. If you have any questions, please feel free to contact us.