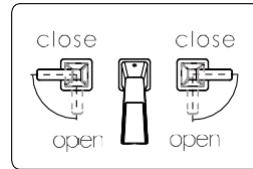
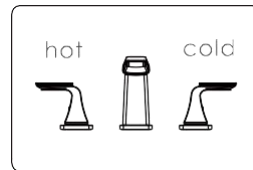


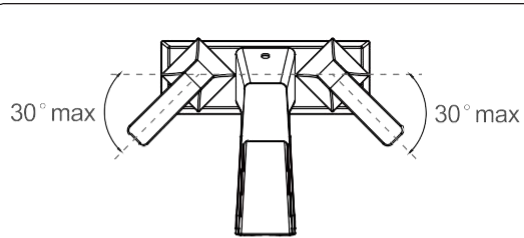
## Application Instruction

1. Gradually pull the handle, it will be more advantageous to protect the cartridge

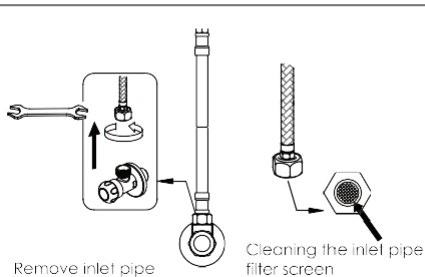
2. Contrarotate the left handle is for hot water, the greater angle you open, the larger flowrate you get. Conversely the smaller angle you open, the little flowrate you get till turn off. Clockwise rotation the right handle is for cold water, the greater angle you open, the larger flowrate you get. Conversely the smaller angle you open, the little flowrate you get till turn off.



## Installation Condition



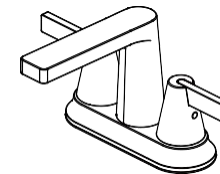
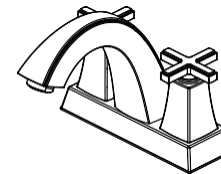
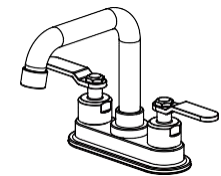
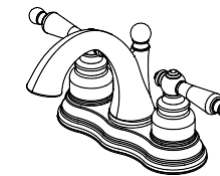
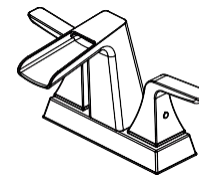
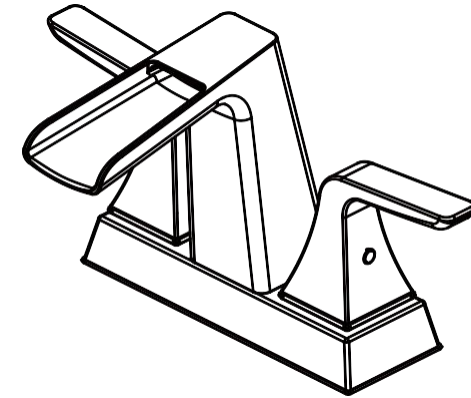
Notice: In order to have the perfect condition of the water flow, please turn both handles to 30 degree angle slowly so that the air inside the tubes can be clean when you use this product at the 1st time.



Cleaning and maintenance:  
Waterfall type: if the water flow weakens slightly after long-term use, the filter screen of the inlet pipe can be cleaned to change this phenomenon. (the filter screen of the water inlet pipe can filter large particle impurities in the water)



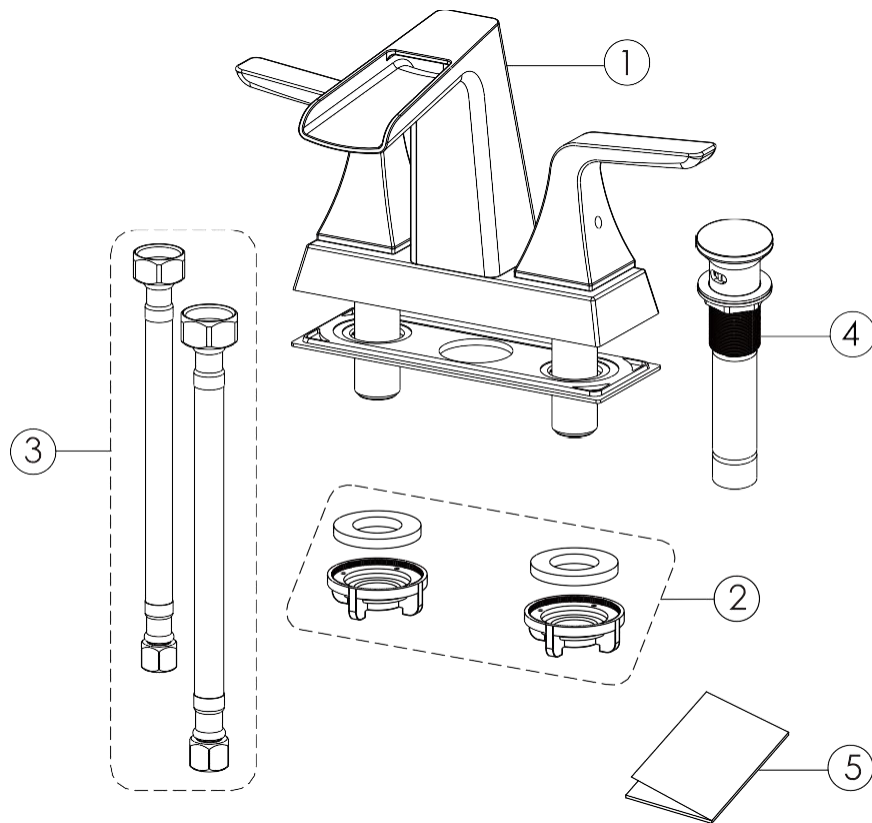
## Two Handles Basin Mixer Installation Instruction



Website: [www.casainc.com](http://www.casainc.com)  
Contact Phone Number: 888-257-3857  
Service Contact : [service@casainc.com](mailto:service@casainc.com)

- To insure proper installation, please read the following instructions carefully.
- Please make sure that the water supply has been shut off at the stop valve.

# Standard Part List



NO.	Part Name	Quantity
1	Body Assy	1
2	Fitting Assy	1
3	Hose	2
4	Pop-up	1
5	Instruction	1

# Installation Step

2-Ø22-Ø25Max  
102

1. Please confirm the two holes on the basin are through holes as shown from the instructions before install. First, remove all fixing sets from the fixed group, and then put the body through the hole on the basin, assemble all fixing sets to the body.

2. Use hand to screw up the locknut

Disassemble Pop-Up

Hot water Cold water

Push to activate

Firmly hand tighten nut

Connect to Drain Drain

3. Connect the inlet hose as shown, take note of the "Red" & "Blue" index from the handle, "Red" for connecting to the valve for supply hot water, and "Blue" for connecting to the valve for supply cold water.

4. Install the pop-up