

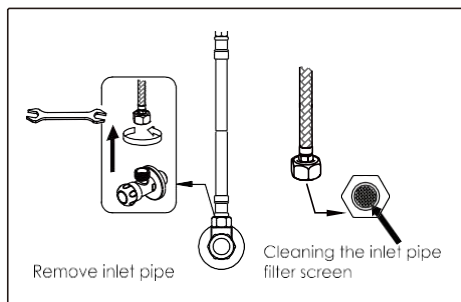
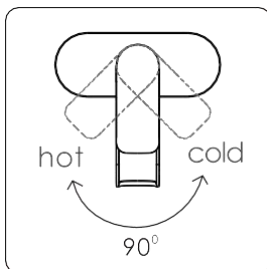
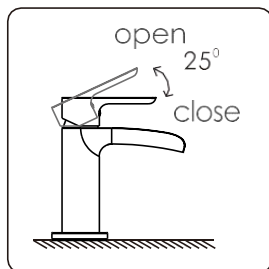
## Application Instruction



1. Gradually pull the handle, it will be more advantageous to protect the cartridge.

2. Pull the handle right is open, the angle you pull are more, the flow rate is becoming large, conversely the angle you pull are small, the flow rate is becoming little till close.

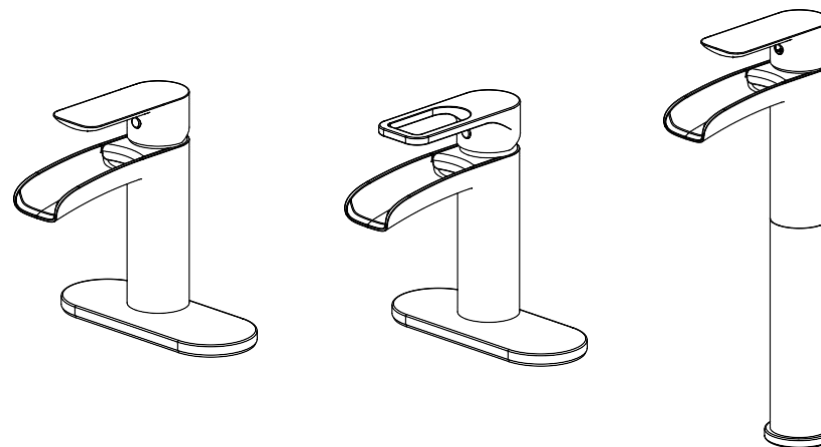
3. When pull the handle top, then turn left, the water outlet is hot water; gradually turn left, the flow rate is larger; turn right, the water outlet is cold water, gradually turn right, the flow rate is larger.



Cleaning and maintenance:  
Waterfall type: if the water flow weakens slightly after long-term use, the filter screen of the inlet pipe can be cleaned to change this phenomenon. (the filter screen of the water inlet pipe can filter large particle impurities in the water)



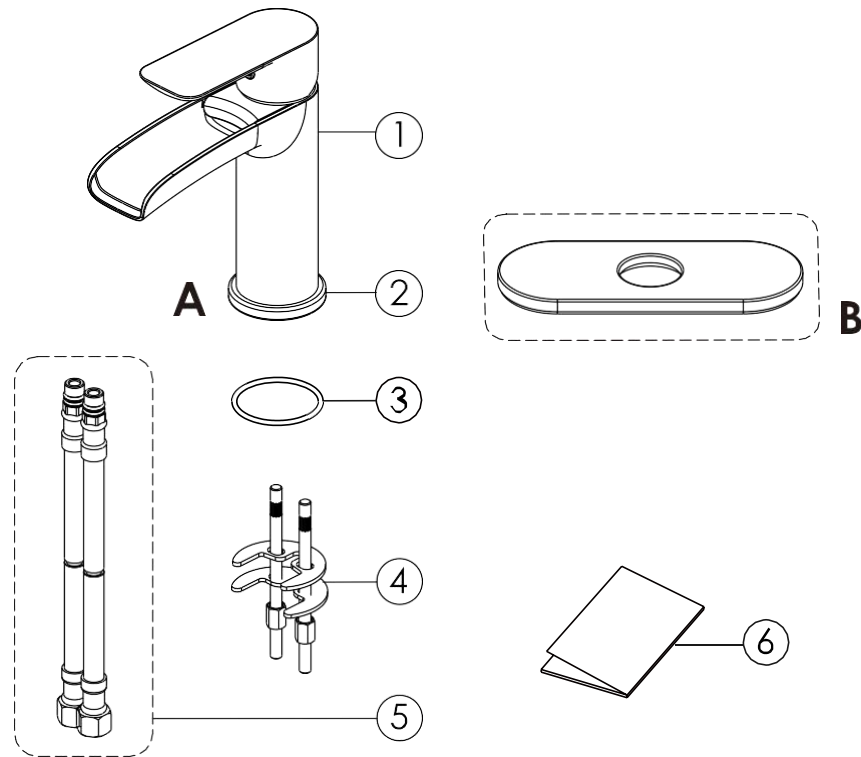
## Basin Mixer Installation Instruction



Website: [www.casainc.com](http://www.casainc.com)  
Contact Phone Number: 888-257-3857  
Service Contact : [service@casainc.com](mailto:service@casainc.com)

- To insure proper installation, please read the following instructions carefully.
- Please make sure that the water supply has been shut off at the stop valve.

# Standard Part List



NO.	Part Name	Quantity
1	Body Assy	1
2	Base	1
3	O-Ring	1
4	Fitting Assy	1
5	Hose	2
6	Instruction	1

# Installation Step



1. Make sure there is a Ø30-Ø33 Hole on the basin before fix the mixer, Unscrew the fitting ASSY from the bottom of the body, then get the body through the hole, don't forget to fix the o-ring between the bottom of the body and the basin.

2. According the remove step to screw up the fixing set to the mixer below the basin.

3. Use hand to screw up the locknut, then use install tool for fixing strengthen.

4. Connect the inlet hose from the body, "Red" for connecting to the hot water, and "Blue" for connecting to the cold water.