



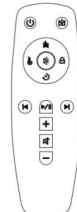
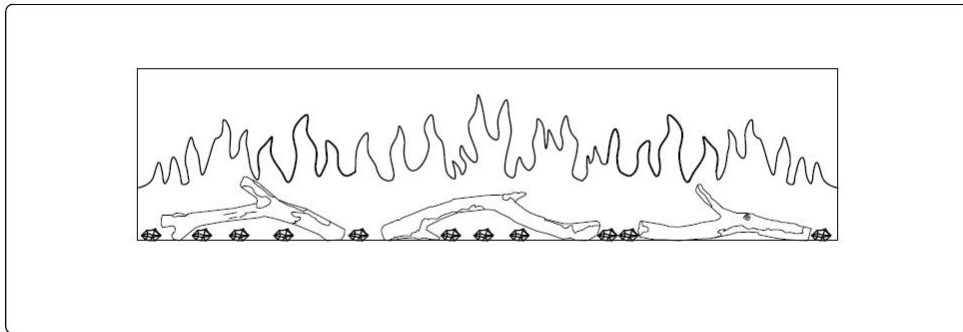
MONDAWE
PICK YOUR FAVORITE



WALL-MOUNT ELECTRIC FIREPLACE WITH BLUETOOTH SPEAKER

USER MANUAL

Model No.: ZHX-42-030/WF-ZHX-BS-42
ZHX-50-092/WF-ZHX-BS-50
ZHX-60-094/WF-ZHX-BS-60
ZHX-72-096/WF-ZHX-BS-72

120V AC / 60Hz / 1500W



 WARNING	Read and understand this entire user manual, including all safety information, before plugging in or using this product. Failure to do so could result in fire, electric shock, or serious personal injury.
 CAUTION	Keep this user manual for future reference. If you sell or give this product away, make sure this manual accompanies this product. Two people are required to lift this item. It is heavy and will break if dropped.

DO NOT RETURN!
Contact our customer service team for help first.

CONTENT

1. Important Safety Information.....	2
2. Technical Specifications.....	3
3. Before Installation.....	4
4. Installation Instruction.....	5
5. Operation Instruction.....	8
5a. Manual Control Pane.....	8
5b. Remote Control.....	10
6. Care and Maintenance.....	12
7. Limited Warranty.....	12
8. Troubleshooting Guide.....	13
9. Contact service team.....	14

1.IMPORTANT SAFETY INFORMATION

WARNING: Any use of this appliance other than that recommended by the manufacturer in this owners manual may cause fire, burns, electric shock and/or other serious injuries or death.

When using electrical appliance, basic precautions should always be followed to avoid the risk of fire, electric shock and injury to persons including the following:

1. Read all instructions before using this appliance.
2. This appliance is hot when in use. To avoid burns, do not let bare skin touch hot surface. If provided, use handles when moving this appliance. Keep combustible materials, such as furniture, pillows, bedding, papers, clothes, and curtains, etc. at least 3 feet (0.9 meter) away from the front of the appliance. Keep all items away from the sides and rear.
3. Extreme caution is necessary when the appliance is used by or near children or invalids and whenever the appliance is left operating and unattended.
4. Always unplug appliance when not in use. This unit should be operate under supervision and should not be left on without supervision.
5. Do not operate any appliance with a damaged cord or plug or after the appliance malfunctions, has been dropped or damaged in any manner. Return appliance to authorized service facility for examination,electrical or mechanical adjustment or repair.
6. Do not use outdoors.
7. This appliance is not intended for use in bathrooms, laundry areas and similar indoor locations. Never locate appliance where it may fall into a bathtub or other water container.
8. Do not run cord under carpeting. Do not cover the power cord with throw rugs, runners, or similar floor coverings. Arrange cord away from traffic area and where it will not be tripped over.
9. To disconnect the appliance, turn all controls "OFF", then remove the plug from the electrical outlet.
10. Connect to properly grounded outlets only.
11. Do not insert or allow foreign objects to enter any ventilation or exhaust openings as this may cause an electric shock or fire, or damage the appliance.
12. To prevent a possible fire, do not block air intakes or exhausts in any manner. Do not use on soft surfaces, like a bed, where openings may become blocked.
13. All electrical appliances have hot and arching or sparking parts inside. Do not use in areas where gasoline, paint, or flammable liquids are used or stored.
14. Use this appliance only as described in this manual. Any other use which is not recommended by the manufacturer may cause fire, electric shock, or injury to persons.
15. It is strongly recommended that to use the entire 15 amp outlet for the electric fireplace only. Sharing the outlet with another electronic item could create overload and damage the outlet and electric items in the long term.
16. Avoid using an extension cord because the extension cords may overheat and cause a risk of fire. However,If an extension cord MUST be used, the cord must be No. 14AWG minimum size and rated not less than 1875 Watts. The extension cord must be a 3-prong cord with grounding type plug and cord connection and should not exceed 20' (6m) in length.
17. When transporting or storing the appliance, keep both the unit and power cord / plug dry, free from excessive vibration and away from heat sources to avoid causing fire, electric shock, or injury to persons.
18. Do not attempt to burn wood or other materials in this appliance.
19. This appliance, when installed must be electrically grounded in accordance with the current.

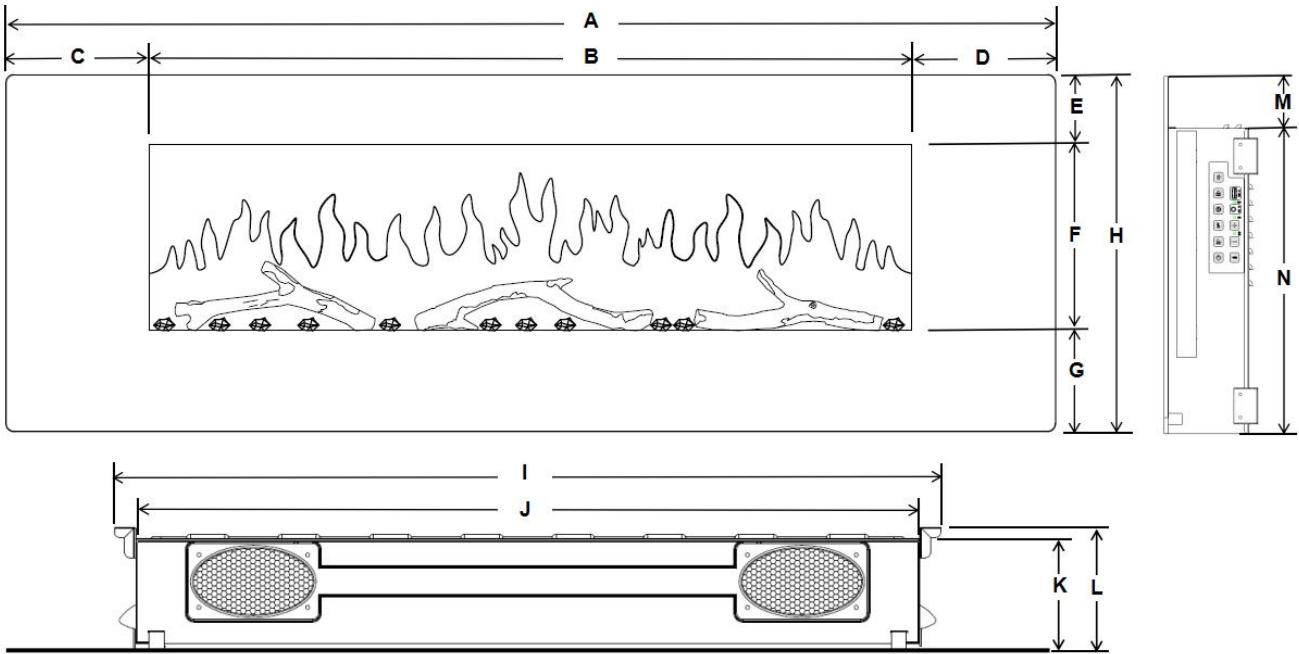
SAVE THESE INSTRUCTIONS

2. TECHNICAL SPECIFICATIONS

2.1) Electric Specifications

Model	Volt	Watt(min/max)	Hz	BTU(max)	Amp
ZHX-42-030_42" ZHX-50-092_50" ZHX-60-094_60" ZHX-72-096_72"	120	1500	60	5120	12.5

2.2) Product Dimensions



Model	Unit	A	B	C/D	E	F	G	H	I	J	K	L	M	N
42"	mm	1066	704	181	88	235	127	450	816	770	121	137	70	380
	inch	41.97	27.72	7.13	3.46	9.25	5.00	17.72	32.13	30.31	4.76	5.39	2.76	14.96
50"	mm	1270	908	181	88	235	127	450	1020	974	121	137	70	380
	inch	50.00	35.75	7.13	3.46	9.25	5.00	17.72	40.16	38.35	4.76	5.39	2.76	14.96
60"	mm	1524	1162	181	88	235	127	450	1273	1228	121	137	70	380
	inch	60.00	45.75	7.13	3.46	9.25	5.00	17.72	50.12	48.35	4.76	5.39	2.76	14.96
72"	mm	1828	1466	181	88	235	127	450	1577	1532	121	137	70	380
	inch	71.97	57.72	7.13	3.46	9.25	5.00	17.72	62.09	60.31	4.76	5.39	2.76	14.96

3. BEFORE INSTALLATION INFORMATION

WARNING! DO NOT operate or use this Electric Fireplace if it is damaged or has malfunctioned or any part has been underwater. Immediately call a qualified service technician to inspect and to replace any part of the electrical system if necessary. Keep plastic wrapping away from children.

Note:

- Keep the packaging (carton, poly bag, polystyrene, etc.) for future transportation and/or storage.
- **If the unit needs to be returned, please make sure all the spare parts are packed inside, and packed the same as the original packing.**

Check Spare Parts

- Open the packaging carefully and remove the polystyrene.
- Check the spare part list below to verify all parts have been received.
- Carefully check if any damages that may have for the insert or spare parts.

WARNING: This carton includes **GLASS! ALWAYS** use **extreme caution** when handling **glass**. Failure to do so could result in **personal injury** or **property damage**.

A. Firebox (1pc)		B. Glass Panel (1pc)	
C. Remote Control (1pc)	D. Faux Crystal (1 bag)		E. Log (1pc) 50" not included parts
F. Log (1pc)	G. Log (1pc)	H. Log (1pc) 42" not included parts 72" 2pcs parts	I. Carbon Bed (1pc) 42" not included parts

HARDWARE CONTENTS (shown actual size)

AA: Wall Anchor 4 PCS	BB: Screw 4+1 PCS	CC: Bolt 2+1PCS	DD: Soft pad 4PCS

Function Testing

Please refer to section 5a. Manual Control Panel and 5b. Remote Control to test the appliance first before installation.

Should any defects found, please contact service team for help.

E-mail: service@mondawe.com, Phone: 888-328-5111, During 9:00 to 17:00 EST from Monday to Friday.

4. INSTALLATION INFORMATION

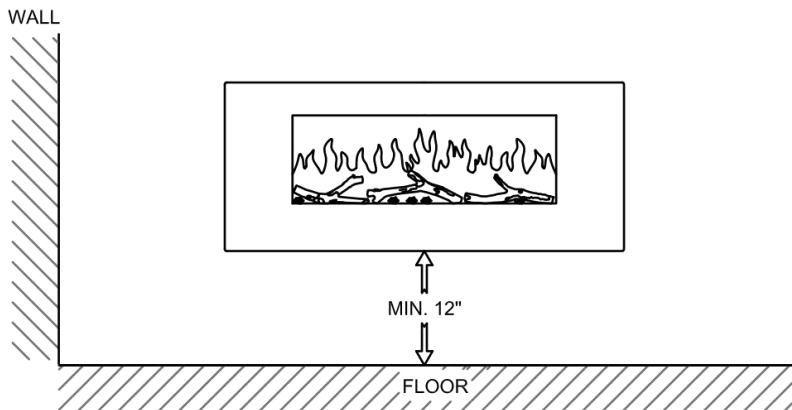
ALWAYS unplug this fireplace heater **before assembly** or **cleaning**, or **before relocating**. Failure to do so could result in **electric shock**, **fire** or **personal injury**.



KEEP drapery and other furnishings at least **3ft /0.9m** from the **front** and **sides** of the electric fireplace.

AFTER installation, ensure that there is $\geq 0.004 \text{ m}^2$ **ventilation area** between **inside** and **outside** of fireplace mantel.

Keep Floor Minimum Clearance at **1ft.(0.3mm)**.As shown in the figure below.



Tools Required

A Phillips screwdriver and Electric drill

Locating the Appliance

Your new electric fireplace may be installed wall in your home. However, when choosing a location, ensure that the general instructions for safety are followed.

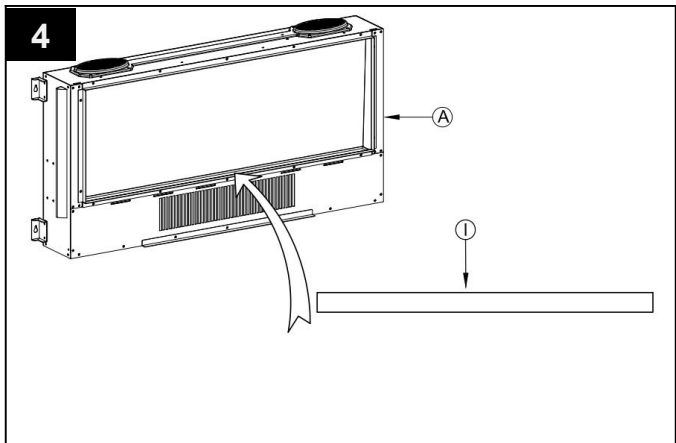
- For best results, install out of direct sunlight, water or very damp air.
- Power supply service must be installed within proximity of electric fireplace prior to finishing avoiding reconstruction.
- Due to many different finish materials use on walls, it is highly recommended that you consult your local builder before you install this fireplace in the wall.

4.4) Please put Carbon Bed(I) into the furnace electric firebox (A) horizontally, the Carbon Bed(I) not distinguished between the front and the back.

Spare Parts

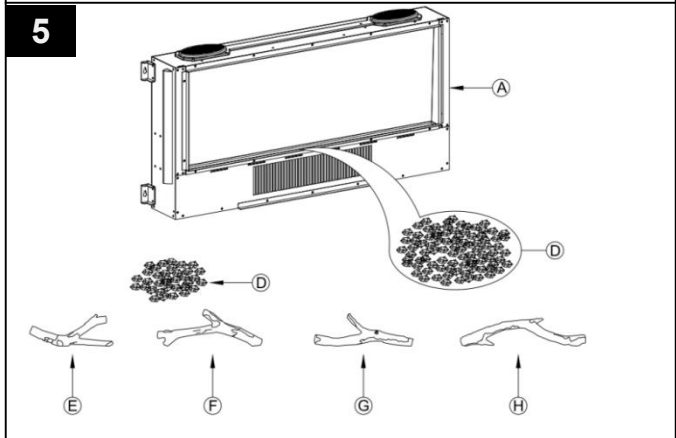
I Carbon Bed 1pc

NOTE:(ZHX-42-031 doesn't include this part.)



4.5) Depending on your preference, place faux crystals (D) or log (E.F.G.H) into the base of electric firebox (A).

Log reference model configuration.



Spare Parts

Model \ Spare Parts	Faux crystals (D)	Log (E)	Log (F)	Log (G)	Log (H)
42"	1 bag	1 pc	1 pc	1 pc	NOT
50"	1 bag	NOT	1 pc	1 pc	1 pc
60"	1 bag	1 pc	1 pc	1 pc	1 pc
72"	1 bag	1 pc	1 pc	1 pc	2 pc

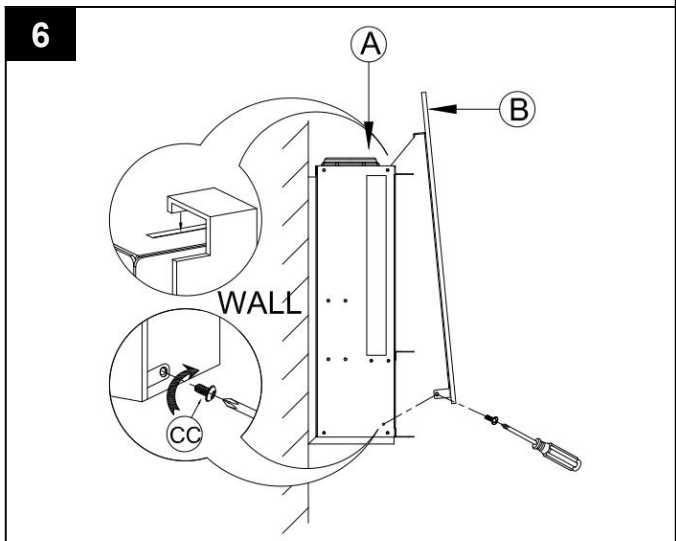
4.6) Carefully hang glass panel (B) onto electric firebox(A) as shown, securing on the bottom with bolts (CC).

Tighten with Phillips screwdriver.

Assembly is now complete.

Hardware Used

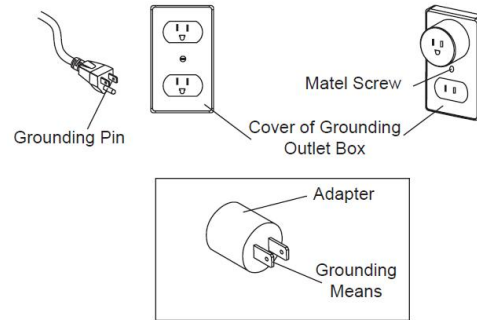
CC: Bolt 2PCS



5. OPERATING INSTRUCTIONS

Electrical Supply Circuit Requirements

- Plan the location of the appliance so that it will have adequate electric power. A 15 AMP, 60Hz circuit is required for 120V installation. The appliance should ideally be located close to a suitable main socket to enable power connection.



- The power cord is 6ft long and locates on the right side of the unit. Avoid the use of an extension cord as it may overheat and cause a risk of fire. However, if an extension cord MUST be used, the cord must be No. 14AWG minimum size and rated not less than 1,875 watts. The extension cord must be a 3-prong cord with grounding type plug and cord connection. and it should not be longer than 7ft.
- Always make sure the outlet is in good condition and the plug is not loose. **NEVER** exceed the maximum amperage of the circuit.

NOTE:

- This model can **NOT** be hard wired.
- **THE PLUG MUST BE PLUGGED VERY TIGHTLY. DO NOT** plug other appliances on to the same circuit.



Read and understand this entire owner's manual, including all safety information, before plugging in or using this product. Failure to do so could result in electric shock, fire, serious injury, or death.

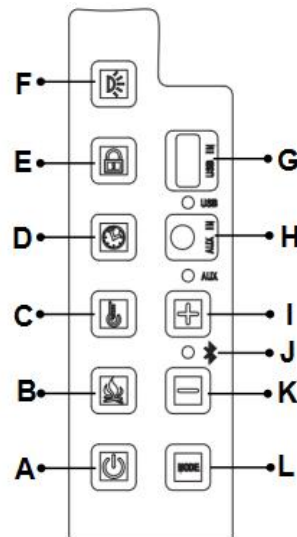


WARNING! Do not operate the unit if it is damaged or has malfunctioned. If you suspect the unit is damaged, call a qualified service technician to inspect and replace any part of the electrical system if necessary.

5a. Manual Control Panel

Use the control panel:

(located in the electric fire box right side)



A	Power
B	Flame
C	Heater
D	Timer
E	Child Lock
F	Light
G	USB IN
H	AUX IN
I	Volume Up
J	Bluetooth
K	Volume Down
L	Mode

5a.A) Power:

Push button to turn on or turn off.

The POWER button supplies power to all the features of the electric insert. This button must be ON for any of the features to work properly.

When the fireplace is first turned on, the Flame is Violet, the Light is blue, the heater default OFF, the sound system is ON.

- You can turn ON or OFF the electric insert either by press the POWER button on the Control Panel.
- When OFF all current settings will be restored then restored at the next power ON (**except Timer**). Unplug the unit will reset the setting to factory default.

5a.B) Flame:

This button controls the brightness/color of flame and ember effect.

When the first time push simulated flame effect that the flame brightness is on highest setting and the flame with blue,orange and red colors.

- Press once the brightness effect a bit weaker than the highest setting 7.
- Press second the flame with orange and red flame, sometimes with blue.
- Press third the brightness effect a bit weaker than 5.
- Press fourth the flame/ember is random changes with oranges, purple and blue.
- Press fifth the flame and ember effect is blue only.
- Press sixth the crystal colors are orange, purple and blue, there is no flame effect.
- Press seventh the setting will return to the start of the cycle at the default state.

5a.C) Heater:

Press to start the heating function, and the system will set the temperature to 99°F/37°C.

- Pressing the button once will result in 3 beeps and the temperature to 99°F/37°C.
- Another press of the button will result in 2 beeps and the temperature to 80°F/26°C.
- Another press of the button 1 beep and the temperature to 65°F/18°C.
- If the button is pressed a fourth time, a long beep will emit, indicating the heater function has stopped.

5a.D) Timer:

Press to Activate the timer function, the choices are 1H, 2H, 3H.

- Press once beep sound with 1 hour.
- Press second beep twice with 2 hours.
- Press third beep three with 3 hours.
- Press fourth with long beep that the timer function is closed.

5a.E) Child Lock:

Press and hold the CHILD LOCK button 5 seconds to activate the function. When child lock is on, there is a red lock mark on the right of the screen, and all the functions are disabled.

Press and hold the button again for 5 seconds to unlock.

5a.F) Spot Light:

Press to Activate the back spot light function, the system will set the orange spot light.

- Press once with orange spot light effect.
- press twice with blue spot light effect.
- Press third with purple spot light.
- press fourth with gradient colors.
- The fifth press will turn off the light.

5a.G) USB IN:

Insert USB from connecting device to play music through fireplace. When the function is on, the USB light is on.

5a.H) AUX IN:

Insert AUX data line from connecting device to play music through fireplace. When the function is on, the AUX light is on.

5a.J) Bluetooth:

When the fireplace is turned on, the fireplace’s Bluetooth capability is automatically activated, the Bluetooth light on the fireplace lit. Using a phone with Bluetooth capability, you can play music from your phone through the fireplace.

5a.L) Mode:

Press this button to switch between Bluetooth, USB and AUX functions. Without any connection for 1 minutes, the sound system will automatically go into standby mode; press any button to re-activate.

5a.I) Volume Up:

Press to turn up the volume of the sound system.

5a.K) Volume Down:

Press to turn down the volume of the sound system.

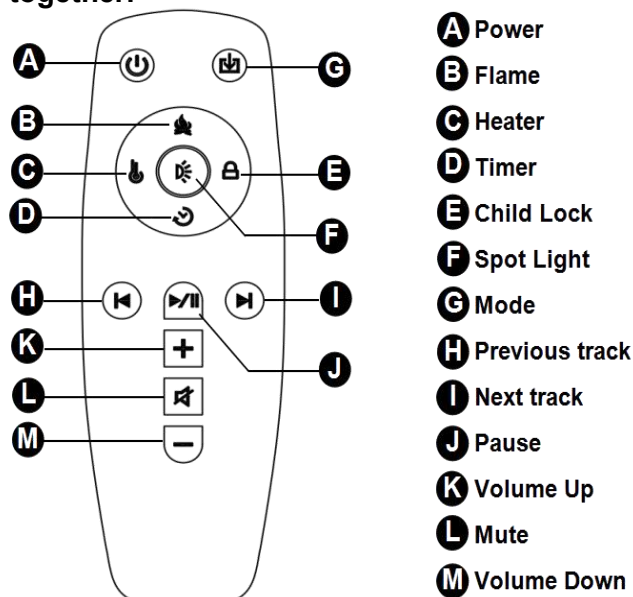
5b. Remote Control

REMOTE CONTROL BATTERIES

Press and slide the battery cover on the rear of the remote and remove the cover. Insert two new **AAA 1.5V batteries** into the battery compartment. Ensure that the polarity is correct. Batteries are not included in the package due to safety during transportation.

Note: Do not mix old and new batteries together in the remote.

Do not mix alkaline, standard (carbon-zinc) or rechargeable (Nickel-cadmium, Nickel-metal, Hydride, etc.) batteries together.



Buttons on the Remote Control have the same functions as those on the Control Panel except(Previous track,Next track,Pause,Mute).

5b.H) Previous track:

Press this button to go back to previous track.

5b.I) Next track:

Press this button to go to next track.

5b.J) Pause:

Press this button to pause or restart music playing.

5b.L) Mute:

Press this button to eliminate the volume.

The remote control can be used up to 13 feet (4 meters) away from the heater, so long as there are no obstructions between the remote control and the heater. the remote can control all the settings as the control panel does.

Warning: Changes or modifications to this unit not expressly approved by the party responsible for compliance could void the user' s authority to operate the equipment.

This device complies with Part 15 of the FCC Rules. Operation is subject to the following two conditions: (1) This device may not cause harmful interference, and (2) this device must accept any interference received, including interference that may cause undesired operation.

NOTE: This equipment has been tested and found to comply with the limits for a Class B digital device, pursuant to Part 15 of the FCC Rules. These limits are designed to provide reasonable protection against harmful interference in a residential installation. This equipment generates, uses and can radiate radio frequency energy and, if not installed and used in accordance with the instructions, may cause harmful interference to radio communications.

However, there is no guarantee that interference will not occur in a particular installation. If this equipment does cause harmful interference to radio or television reception, which can be determined by turning the equipment off and on, the user is encouraged to try to correct the interference by one or more of the following measures:

- Reorient or relocate the receiving antenna.
- Increase the separation between the equipment and receiver.
- Connect the equipment into an outlet on a circuit different from that to which the receiver is connected.
- Consult the dealer or an experienced radio/TV technician for help.



Temperature Limiting Control

This heater is equipped with a Temperature Limiting Control.

Should the heater reach an unsafe temperature, the heater will automatically turn OFF.

To reset:

- Unplug the power cord from the outlet.
- Turn the Power Switch on the CONTROL PANEL to OFF. Wait at least 30 minutes.Lower electric firebox internal temperature.
- Inspect the fireplace to make sure no vents are blocked, or clogged with dust or lint. If they are, use a vacuum to clean the vent areas.
- With the Power Switch in the OFF position, plug the power cord back into the outlet.

If it switches off again, UNPLUG THE HEATER RIGHT AWAY!

Have the outlets, wiring, and breaker box inspected by a professional. Make necessary repairs before using the heater.

6. CARE AND MAINTENANCE



- **ALWAYS** turn the appliance **OFF** and **unplug the power cord from the outlet** before cleaning, performing maintenance, or moving this fireplace. Failure to do so could result in **electric shock, fire, or personal injury.**
- NEVER immerse in water or spray with water. Doing so could result in electric shock, fire, or personal injury.
- **Risk of electric shock! DO NOT OPEN! Replace parts contact our customer service team for help first!**

CLEANING

Metal:

- Buff using a soft cloth, slightly dampened with a citrus oil-based product.
- DO NOT use brass polish or household cleaners as these products will damage the metal trim.

Glass:

- Use a good quality glass cleaner and dry thoroughly with a paper towel or lint-free cloth.
- **NEVER** use abrasive cleansers, liquid sprays, or any cleaner that could scratch the surface.

Plastic:

- Wipe gently with a slightly damp cloth and a mild solution of dish soap and warm water.

Vents:

- Use a vacuum or duster to remove dust and dirt from the appliance and vent areas.
- Clean the exterior of the fireplace with a slightly damp cloth or duster.

MAINTENANCE

Electrical and Moving Parts:

- The fan motors are lubricated at the factory and will not require lubrication.
- Electrical components are integrated in the fireplace and are Replace parts contact our customer service team for help first!

Storage:

- Store appliance in a clean dry place when not in use.

Replacement parts:

- Use only replacement parts supplied by the manufacturer. Use of any other parts, or modifying the fireplace in any way, will void all warranties.
- Battery Replacement: Use two AAA 1.5V batteries for the remote control.
- Total LED wattage is 7.5~15 watts; do not attempt to replace the LED.

7. LIMITED WARRANTY

This warrants to the original purchaser that this product is free from defects in material and workmanship as of the date of purchase and that it will, under normal use and proper care, remain so for one year from the date of purchase. Missing or initially defective parts will be replaced free of charge during the period of this limited warranty. If parts are unavailable, comparable replacement or refund will be given. **The original dated sales receipt is required for all warranty claims.** This warranty does not cover damage which has occurred during transport from the point of purchase to the consumer's home. This warranty does not cover glass, light bulbs, batteries, transportation, labor, or other issues not associated with the manufacture of the product.

This product is for residential use only. Any and all commercial use of this product voids all warranties, and frees the manufacturer from all liability.

Read and understand all assembly and operating instructions, and all safety information and warnings, before use. The following will void this warranty: Damage caused from tampering with, modifying, or altering the

fireplace insert in any manner; Damage due to incorrect assembly, improper care, misuse, or abuse; Damage from being used with the wrong power source; Water damage; Damage caused from this insert being used outdoors; Damage caused from this insert being used for excessive periods of time; Damage caused by the insert being used in a commercial application; Damage from use as a primary heat source; Other misuse or abuse not specifically listed herein.

This product is not intended to be used as a primary heat source. It is for supplemental heating purposes only.

8. TROUBLESHOOTING GUIDE

1. The remote does not work and the new unit we just got cannot be turned on.
 - 1). Make sure the main power switch on the top right behind the fence is on.
 - 2). There would have a long beep when the main power switch is turned on.
 - 3). If there is no beep, the connectors on the PCB board might be loosen, please contact service team for a checking instruction.
 - 4). If there is a beep and the control panel can be used but the remote is not working, the remote is not working either close or far, please contact service team for help.
2. My old unit no longer works, it cannot power on.
 - 1). Check the power cord to see if it is good.
 - 2). If the power cord is good, check the wires behind the rocker switch to see if they are burned.
 - 3). If the wires are good, too, the PCB board might have malfunctioned and need to be replaced. Please contact service team for a replacement and instruction.
3. The heater does not work, it turns on for several seconds then shuts off itself.
 - 1). New product:
 - a. Turn the Heater to 99°F/37°C to see if the heater will work continuously.
 - b. If not, unplug the unit and recheck next day to see if it can work properly.
 - c. If still not, the fan assembly need to be checked and please contact service team for a checking instruction.
 - 2). Product has been used for some time:
 - a. Open the glass, Removal of the bottom of the front fixing screw to check if the fan can move smoothly or the heater motor is well connected.
 - b. If yes, pull off the CN7 connector plugged on the PCB board. If the heater works, the button panel should be replaced.
 - c. If the heater still does not work after unplugging the CN7 connector, please contact service team for a further solution.
4. There is no air coming out when turn the heater on.
 - 1). New product:
 - a. Confirm if there's hot air blowing from the air outlet or something turning red inside when the heater is turned on. If yes, the fan is got stuck or the heat motor is not at the right position.
 - b. If not, checking the heater connectors on PCB board would be needed. Unplug and reinsert all connectors to see if the heater will work.
 - 2). Product has been used for some time:
 - a. Confirm if there's hot air blowing from the air outlet or something turning red inside when the heater is turned on. If yes, the fan is got stuck or the heat motor is not at the right position.
 - b. If not, please contact service team for help.
5. The heater does not come back even the room is already cold.

Turn the thermostat to 99°F/37°C to see if the heater will work continuously, if yes, the sensor has malfunctioned, if not, please contact service team further for help.
6. The flame does not show up or flicker or a noise when turn it on.

Please contact service team for a checking instruction of the flame LED board connector, flame motor and spindle.
7. The front trim is out of shape, the remote is missed or the log is broken. Please contact service team for a replacement and instruction.



MONDAWE
PICK YOUR FAVORITE

Thank you for purchasing this product!

Contact the seller if you have any trouble with this product.

Website: www.mondawe.com

Customer Service: service@mondawe.com

Phone: 888-328-5111