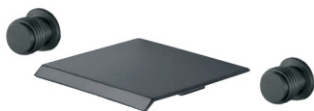


BASIN FAUCET INSTALLATION MANUAL



1198



5701

CONTENT

1. Installation Condition	P1
2. Model:1198 Wall Mount Faucet Standard Accessories List	P2
3. Model:5701 Waterfall Bathtub Faucet	P5
4. Care and Maintenance	P9

Installation Condition



1.Refer to the 《Standard Part List》 when unpacking ,
check all parts available .

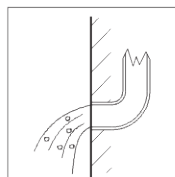


2.Do not disassemble mixer body by yourself.



3.Connect inlet hoses to supply valves.

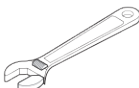
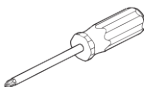
4.Make sure inlet pipes and supply valves have been
installed and cleaned, also ensure no impurities in
pipeline.



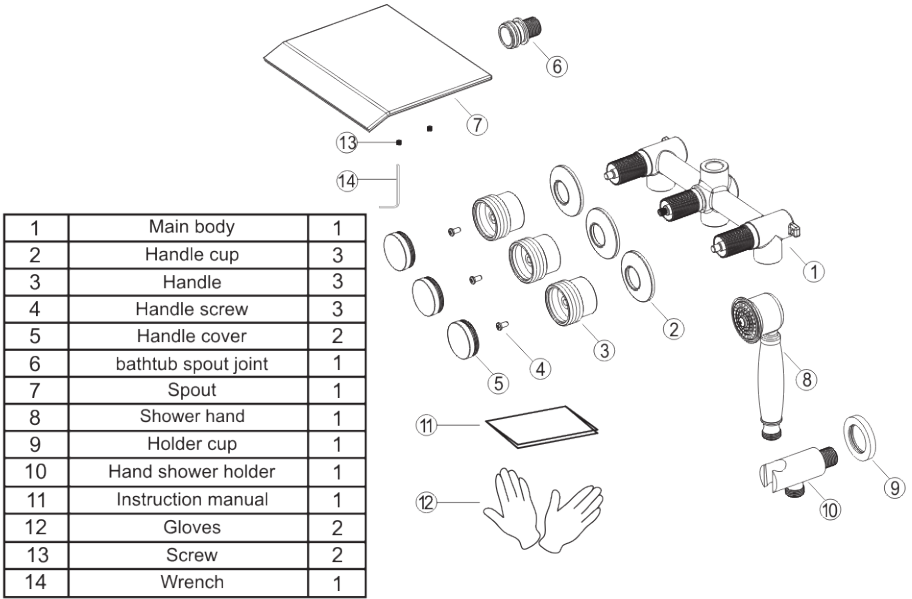
5.After installation , check all joints for leakages.

6.Suggest don't fit the faucet in the severely corrosive
environments.

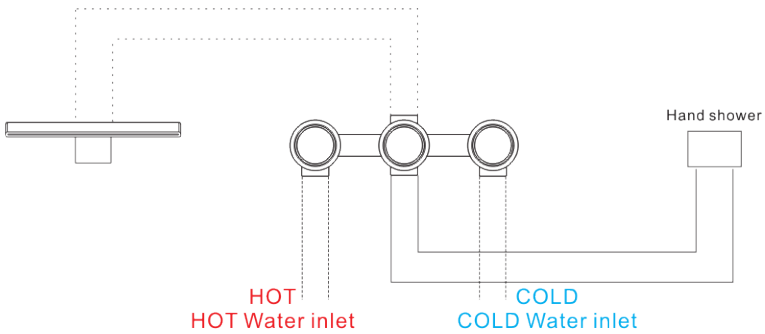
YOU MAY NEED:



Waterfall Bathtub Faucet

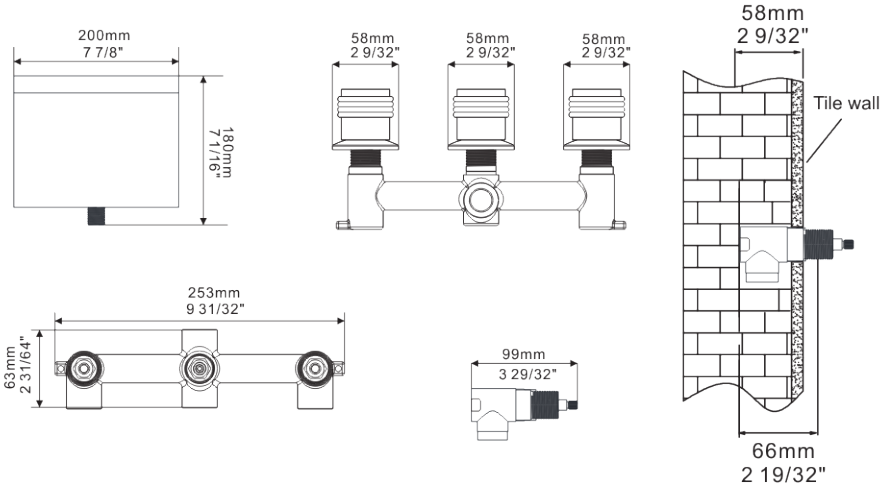


Water circuit diagram of bathtub set



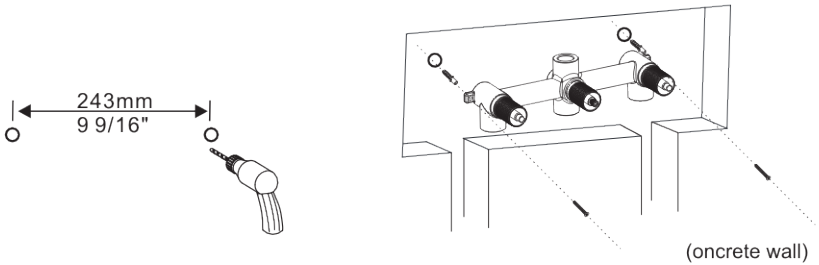
Installation Depth Of Main Body

Unit:mm/inch



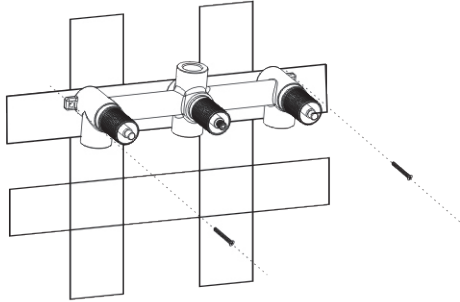
Notice: The installation depth of main body should be no less than 2 9/32" (58mm) and no more than 2 19/32" (66mm), including the thickness of tile. Otherwise, the handle cup cannot be installed.

The main body to install(Concrete wall)



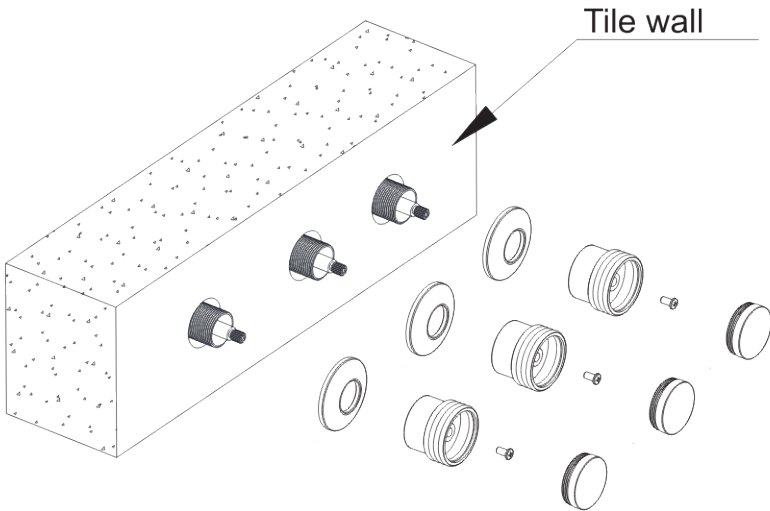
1. Make marks according to the size of the main body valve, and then drill anchors into the wall. (concrete wall)
2. Install the screw sleeve into the drilled hole first, and then fix the main body with the screw. Connect the hot and cold water inlet pipes. Finally seal the main body with concrete

The main body to install(wood wall)



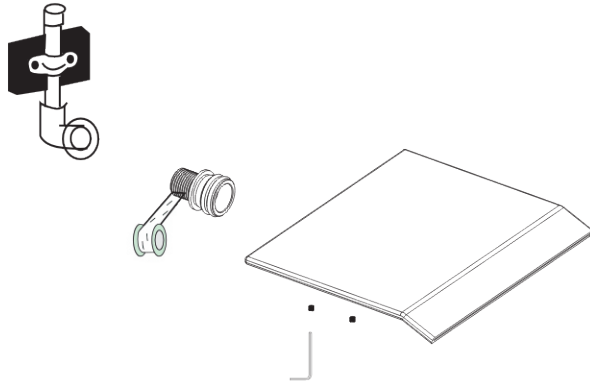
(wood wall)

Lock main body to wood directly with screws.(wood wall)



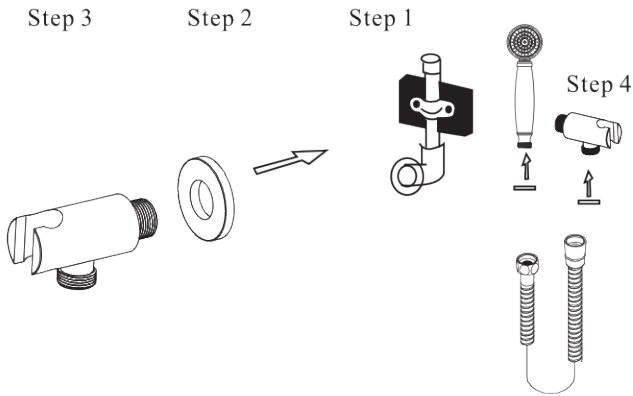
Install the handle cup and handle firstly, then lock the hand wheel with screws, and finally install the handle cover

Spout Installation



Install the Bathtub Spout Joint into the spout, and then screw in the threaded outlet pipe.

◆ SHOWER HOLDER INSTALLATION INSTALL THE HAND SHOW HOLDER



- Step1: Install the decorative cover on the shower seat.
- Step2: Screw the main body into the thread.
- Step3: Connect handle holder with hose and handle shower.

Care and Maintenance

In order to keep the mixer surface bright , please clean the mixer regularly.

Rinse faucet with clean water and wipe with soft cotton cloth.

Avoid using cleaning powder , harsh cleaning chemicals, brushes, and cloth with coarse surface to prevent scratching and corrosion.

Do not use acid cleaner to clean the faucet as it may cause surface corrosion of the faucet. If the faucet comes into contact with harmful acid substances, please rinse it with water immediately.



If a large-scale clean-up is necessary, follow these procedures:

1: Use clean water and soft cloth to remove dirt on the surface as much as possible.

2: Use one of the following cleaners to remove dirt on the surface

Mild liquid cleaner.

Colorless glass cleaner, powder cleaner which does not have abrasive function and can be dissolved completely.

Polish liquid which does not have abrasive function.

3: After cleaning, remove the cleansing agent with clean water completely and wipe with soft cotton cloth.