

BASIN FAUCET INSTALLATION MANUAL



2382-F



2382-I

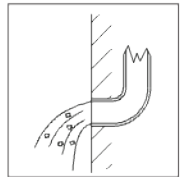
CONTENT

- 1.Installation Condition ----- P1**
- 2.Model:2382-F Basin Faucet Installation**
 - Basin Faucet Accessories List ----- P2
 - Hose Connection Travel ----- P2
 - Basin Faucet Installation Step 1 ----- P3
 - Basin Faucet Installation Step 2 ----- P4
 - Basin Faucet Application Lnstruction ----- P5
- 3.Model:2382-I Wall Mount Basin Faucet Installation**
 - Wall Mount Faucet Accessories List ----- P6
 - Installation Size Dimensions ----- P6
 - Installation Depth Of Main Body ----- P7
 - Main Body Installation ----- P8
- 4.Clean And Maintenance ----- P9**

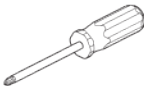
Installation Condition



- 1.Refer to the 《Standard Part List》 when unpacking , check all parts available .
- 2.Do not disassemble mixer body by yourself.
- 3.Connect inlet hoses to supply valves.
- 4.Make sure inlet pipes and supply valves have been installed and cleaned, also ensure no impurities in pipeline.
- 5.After installation , check all joints for leakages.
- 6.Suggest don't fit the faucet in these severely corrosive environments.

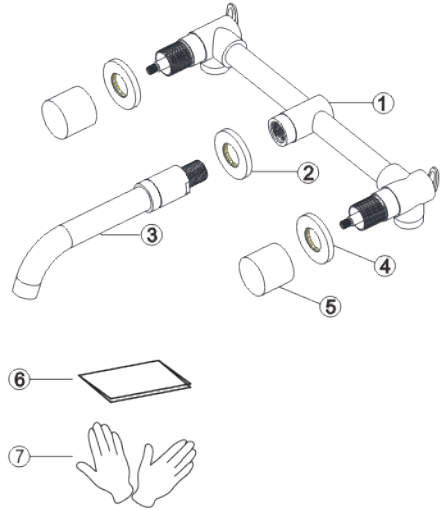


YOU MAY NEED:



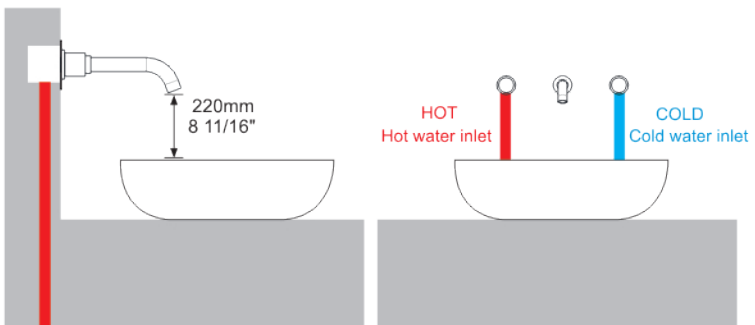
Wall Mount Faucet Standard Accessories List

1	Main body	1
2	Spout base	1
3	Spout	1
4	Handle cup	2
5	Handle	2
6	Instruction manual	1
7	Gloves	2



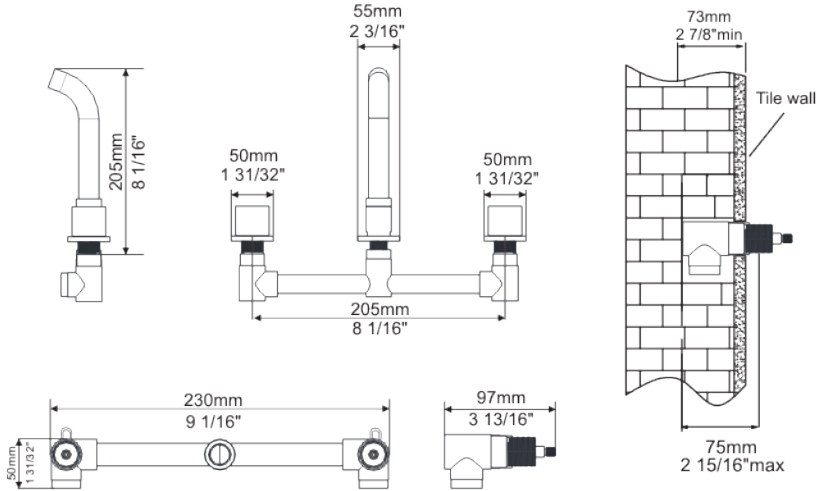
Installation Size Dimensions

Unit:mm/inch



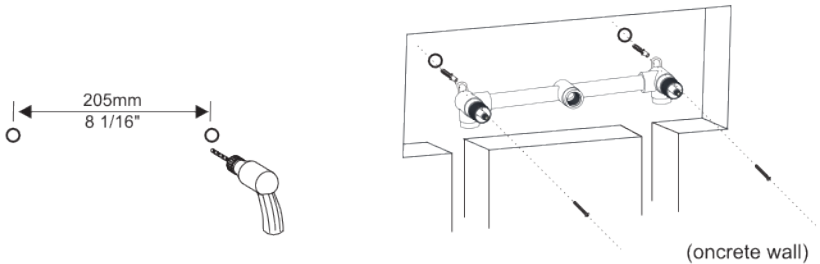
Installation Depth Of Main Body

Unit:mm/inch



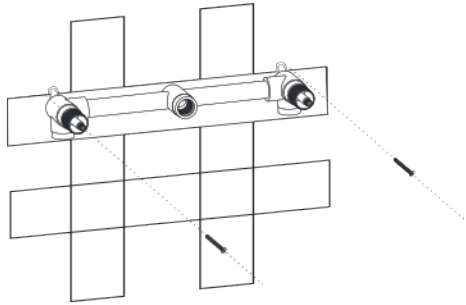
Notice: The installation depth of main body should be no less than 2 7/8"(73mm) and no more than 2 15/16"(75mm), including the thickness of tile. Otherwise, the handle cup cannot be installed.

The main body to install(Concrete wall)



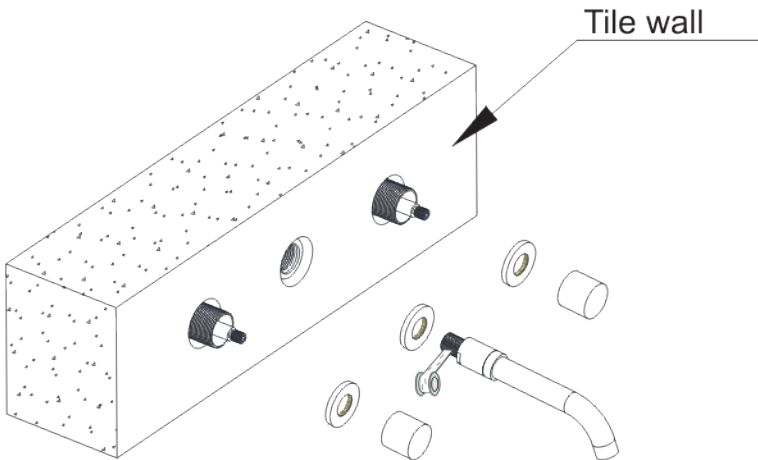
1. Make marks according to the size of the main body valve, and then drill anchors into the wall. (concrete wall)
2. Install the screw sleeve into the drilled hole first, and then fix the main body with the screw. Connect the hot and cold water inlet pipes. Finally seal the main body with concrete (note: do not block the connection hole where the spout is installed in the middle of the main body)

The main body to install(wood wall)



(wood wall)

Lock main body to wood directly with screws.(wood wall)



Binding Pianerl, Handle, Spout in order , and then lock the handwheel with screws.

Clean And Maintenance

Do's

1. In order to keep the mixer surface bright, please clean the mixer regularly.
2. Rinse faucet with clean water and wipe it with soft cotton cloth.
3. Use one of the following cleaners to remove dirt on the surface:
 - a. Mild liquid cleaner.
 - b. Colorless glass cleaner and powder cleaner which does not cause abrasion and can be dissolved completely.
 - c. Polish liquid which does not cause abrasion.



Don'ts

- a. Avoid using cleaning powder, harsh cleaning chemicals, brushes and coarse cloth to prevent scratching and friction.
- b. Do not use acid cleaner to clean the faucet as it may cause surface corrosion of the faucet. If the faucet should be exposed to harmful acid substances, please rinse it with water immediately.