

Instruction Manual

Basin faucet&Bathtub faucet System



Model:1381



Model:5525



Model:1220



Model:5934

Installation Condition



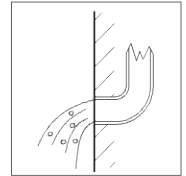
1.Refer to the 《Standard Part List》 when unpacking ,
check all parts available .



2.Do not disassemble mixer body by yourself.

3.Connect inlet hoses to supply valves.

4.Make sure inlet pipes and supply valves have been
installed and cleaned, also ensure no impurities in
pipeline.

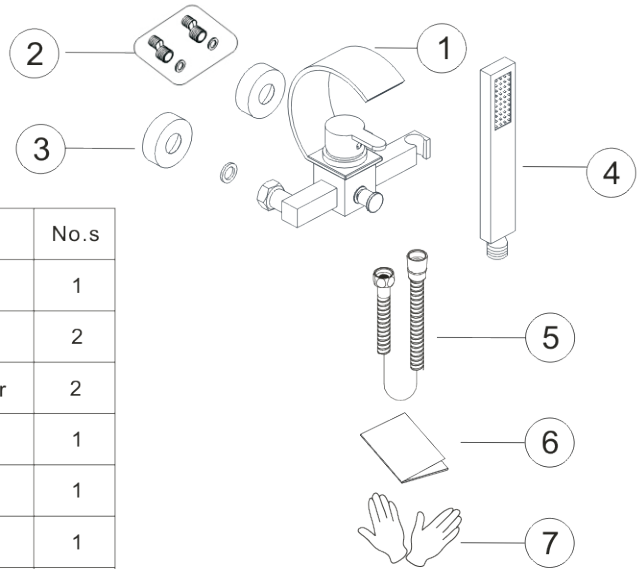


5.After installation , check all joints for leakages.

6.Suggest don't fit the faucet in the severely corrosive
environments.

Wall Mount Bathtub Faucet Part List

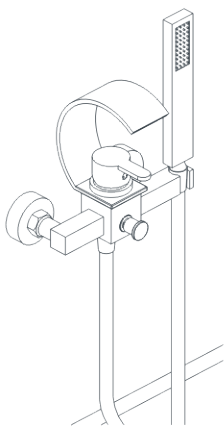
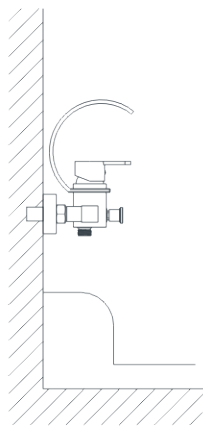
S/N	Description	No.s
1	Faucet Body	1
2	S-Union	2
3	Decoration cover	2
4	Hand shower	1
5	Shower hose	1
6	User's manual	1
7	Gloves	2



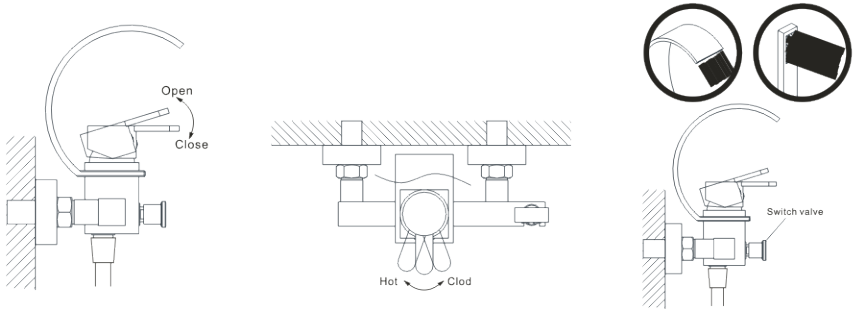
Wall Mount Bathtub Faucet Installation

<p>step 1</p> <p>150MM 5 14/16"</p> <p>hot water connector</p> <p>cold water connector</p> <p>S-union</p>	<p>step 2</p>
<p>After wrapping the tape, connect the S-union to the water outlet connector.(The distance between the hot water outlet and cold water outlet connector is 150mm, the height apart from floor should be fixed according to the bathtub height).</p>	<p>Screw the decoration cover onto the S-union. Then install the mixer's body to the S-union via the two connecting nuts, and fix them by spanner.(Note: wrapping some tapes on the spanner is suggested to avoid scratching the product surface).</p>

Wall Mount Bathtub Faucet Installation

<p>step 3</p> 	<p>step 4</p> 
<p>Then mount the shower hose to the mixer and hand shower.</p>	<p>The above installation instruction is also applicable to the shower mixer's installation.</p>

step 5



1. Open water valve to check if there is any leakage.
2. When turning the handle upward, the valve is open. And the turning angle can control water outflow. the user can turn it to the left or right to regulate the water temperature.
3. Normally water will go out from the spout firstly by default. And the user can switch it to the hand shower by pulling the switch valve (as right illustration). This switch can reset automatically after closing water.

Care and Maintenance

In order to keep the mixer surface bright , please clean the mixer regularly.

Rinse faucet with clean water and wipe with soft cotton cloth.

Avoid using cleaning powder , harsh cleaning chemicals, brushes, and cloth with coarse surface to prevent scratching and corrosion.

Do not use acid cleaner to clean the faucet as it may cause surface corrosion of the faucet. If the faucet comes into contact with harmful acid substances, please rinse it with water immediately.



If a large-scale clean-up is necessary, follow these procedures:

1: Use clean water and soft cloth to remove dirt on the surface as much as possible.

2: Use one of the following cleaners to remove dirt on the surface

Mild liquid cleaner.

Colorless glass cleaner, powder cleaner which does not have abrasive function and can be dissolved completely.

Polish liquid which does not have abrasive function.

3: After cleaning, remove the cleansing agent with clean water completely and wipe with soft cotton cloth.