

LED MUSIC THERMOSTATIC SHOWER INSTALLATION GUIDE



Model:6338

◆ INSTALLATION CONDITION



1.Refer to the 《Standard Part List》 when unpacking , check all parts available .

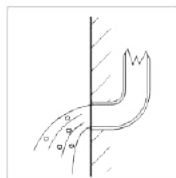
2.Do not disassemble mixer body by yourself.

3.Connect inlet hoses to supply valves.

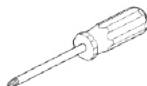
4.Make sure inlet pipes and supply valves have been installed and cleaned, also ensure no impurities in pipeline.

5.After installation , check all joints for leakages.

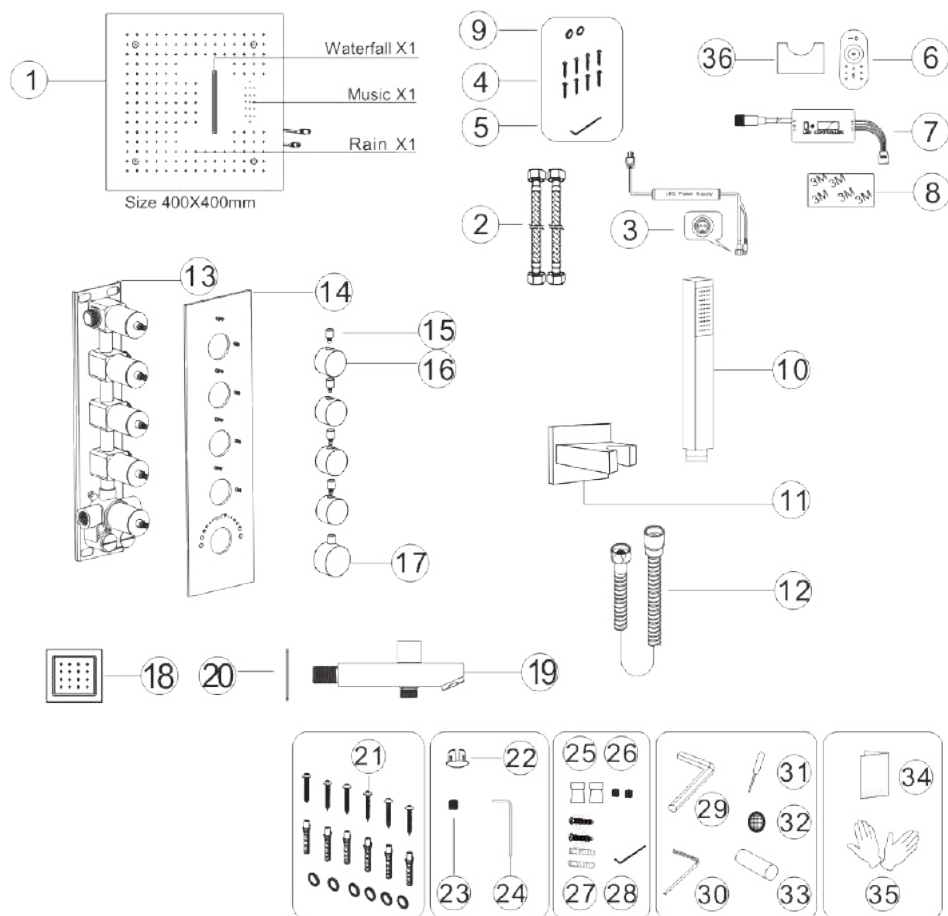
6.Suggest don't fit the faucet in the severely corrosive environments.



YOU MAY NEED:

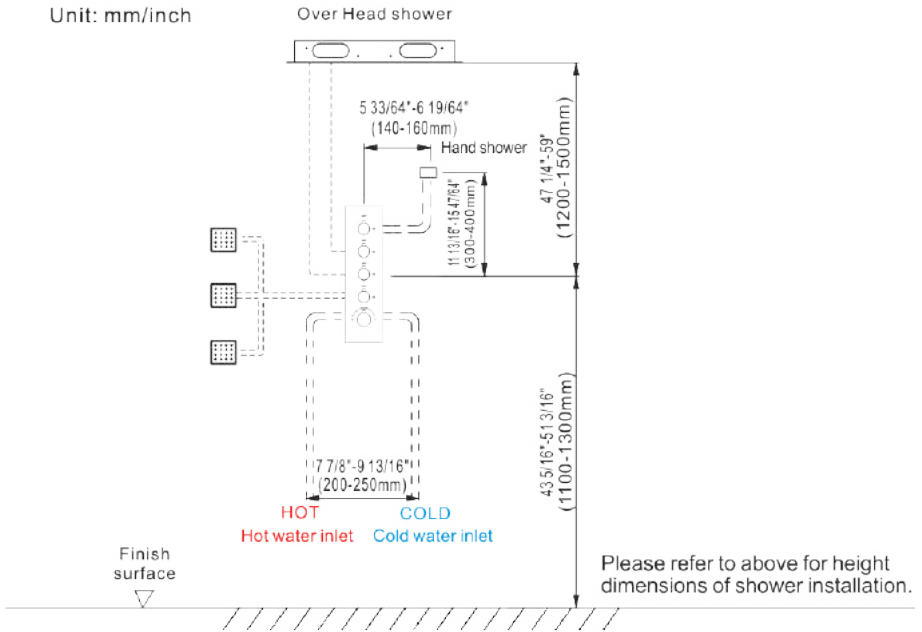


◆ PRODUCT LIST



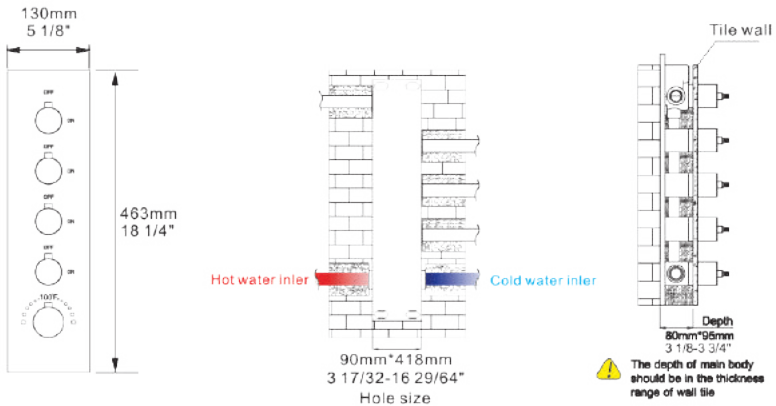
No.	Part name	Qty	No.	Part name	Qty	No.	Part name	Qty
1	Shower head body	1	13	Main body	1	25	Holder pipe	2
2	Corrugated pipe	2	14	Panel	1	26	Holder spare screw	2
3	Water proof power supply	1	15	Water diverter rod	4	27	Holder installation screw	2
4	Shower head screw	8	16	Water diverter	4	28	Holder Wrench	1
5	Shower head wrench	1	17	Handle	1	29	H10 Wrench	1
6	Controller	1	18	Body jet	3	30	H3.0 Allen key	1
7	Wifi controller	1	19	Water spout	1	31	Screw driver	1
8	Wifi controller tape	1	20	Water spout cup	1	32	Filter	3
9	Spare rubber washer	2	21	Main body gasket parts	6	33	Body jet pipe	3
10	Shower hand	1	22	Handle cup	1	34	Instruction manual	1
11	Hand shower holder	1	23	Handle screw	1	35	Gloves	2
12	Shower hose	1	24	Handle Wrench	1	36	Controller pedestal	1

◆ INSTALLATION SHOWER SET SIZE & WATER PIPE LINE REFERENCE



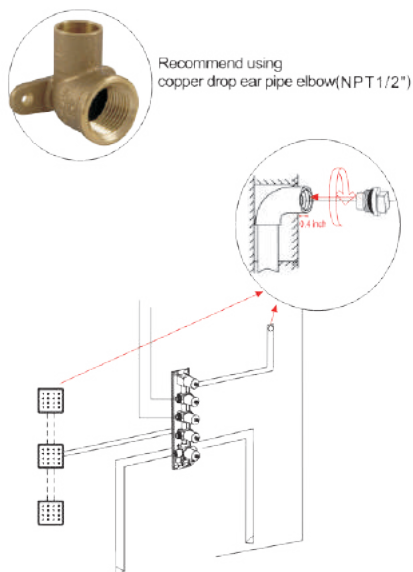
◆ INSTALLATION DEPTH OF MAIN BODY

Unit: mm/inch



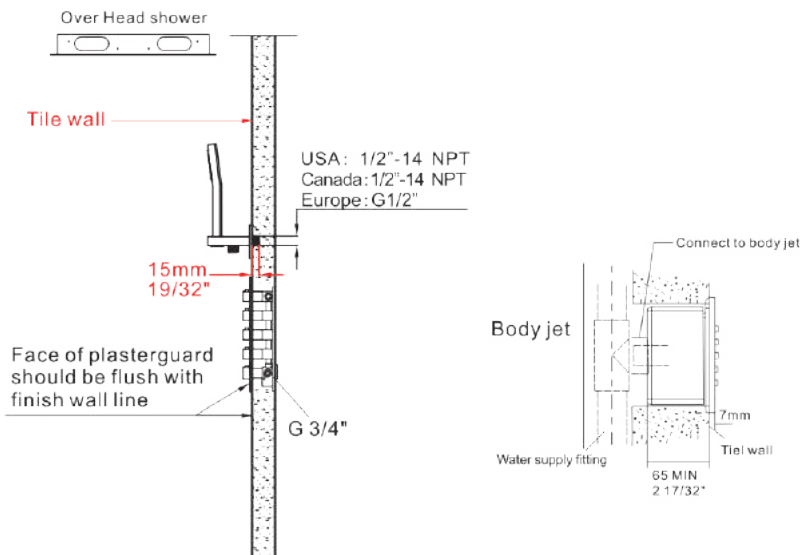
- 1: Including the thickness of ceramic tile is less than or equal to the thickness of valve 3 $\frac{3}{4}$ "(95mm), so the thickness of tile must be calculated before installation.
- 2: Installation Main body depth not less than 3 $\frac{1}{8}$ "(80mm)min and not more than 3 $\frac{3}{4}$ " (95mm) Max. Otherwise, the panel cannot be installed.
- 3: The hole size of the main body after tiling is smaller than the size of the panel.

◆ **CEILING MOUNTED INSTALLATION BEFORE TILING**



1:Recommend using Copper drop ear pipe elbow(NPT 1/2)
 USA: 1/14 NPT 2 -Canada: 1/2"-14 NPT Europe:G1/2"

◆ **INSTALLATION DEPTH OF SHOWER HOLDER & BODY JET**

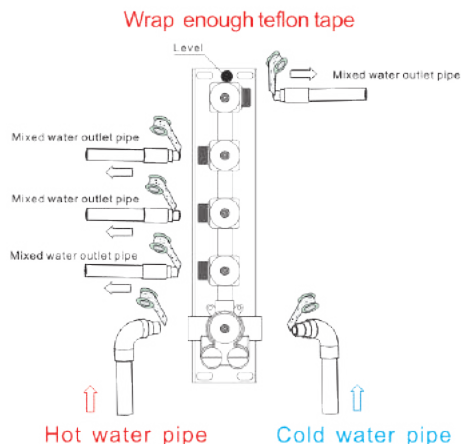


The installation depth of shower holder can't over 19/32" (15mm) so the thickness of tile must be calculated before installation.

◆ MAIN BODY CONNECTING PIPE SCHEMATIC DIAGRAM

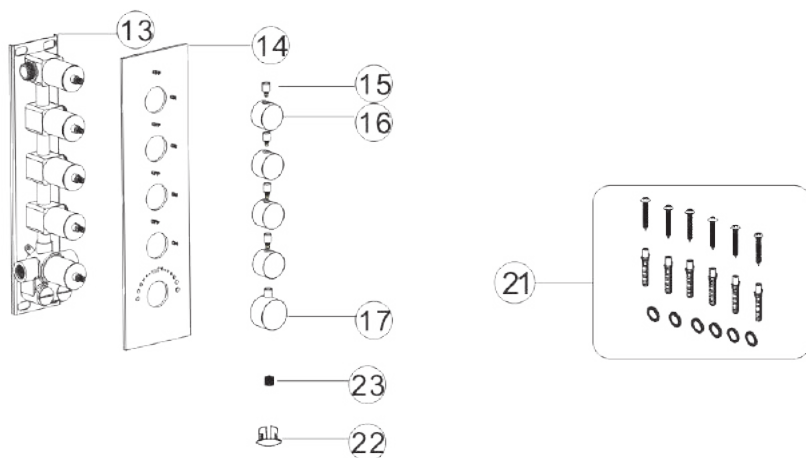


Warning: must install hot water inlet and cold water inlet strictly as instructions.



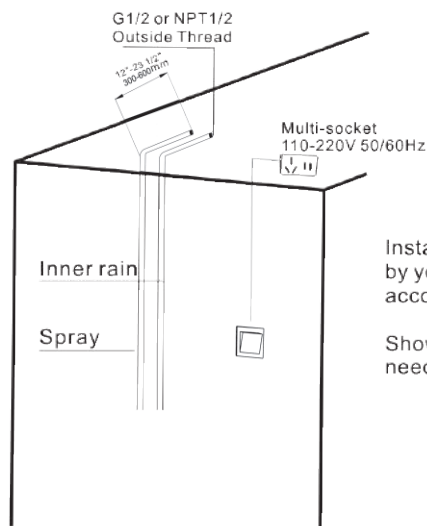
1. As shown in the figure, the inlet and outlet pipes are pre-buried, pay attention to the correct direction of installing the pre-buried main body, and make sure that the mark level on the top of the installation box is facing upward.
2. Install the hot and cold water inlet pipes, Shower head and hand shower holder body jet pipes. Turn on the water source to test whether the left and right inlet pipes are tightly connected without leakage. After the test, adjust the flow switch to be on to test whether the mixed outlet pipe. The connection is tight and there is no leakage.

◆ MAIN BODY VALVE INSTALLATION



Use ②① Valve gasket spare parts and to fixed ⑬ Main body on the wall and then install ⑭ Panel ⑰ Hand ⑳ Hand screw and ㉒ Hand cup ⑯ Water diverter ⑮ Water diverter rod in the correct order.

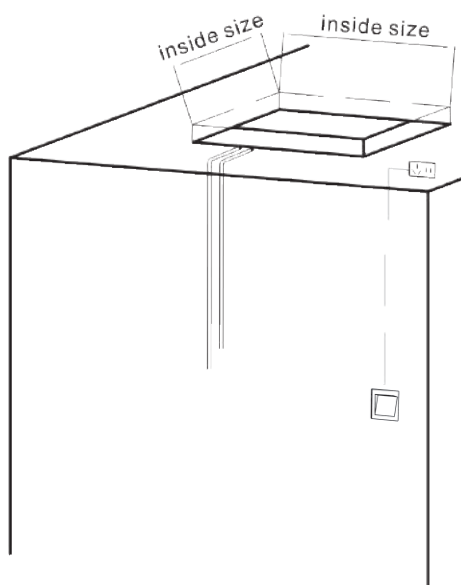
◆ Shower head power/water pipe-layout



Install the power switch in the appropriate position by yourself. Water pipes should be arranged according to the showerhead function.

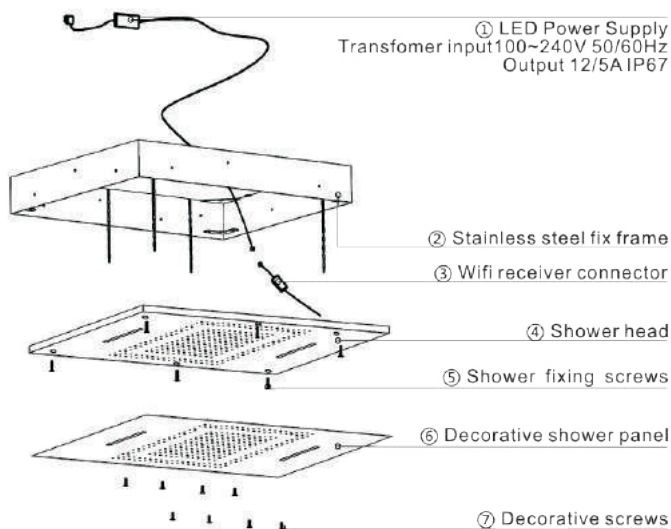
Shower head, two inlet pipes need to be laid out, Waterfall and Inner rain;

◆ Shower head holes on ceiling



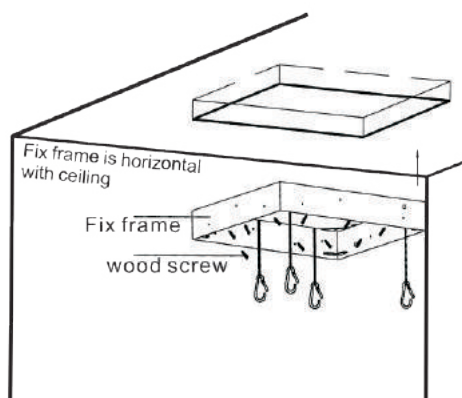
Shower head
Shower hole inside size 385x385mm
15 5/32" * 15 5/32"

◆ Shower head intelligent exploded view

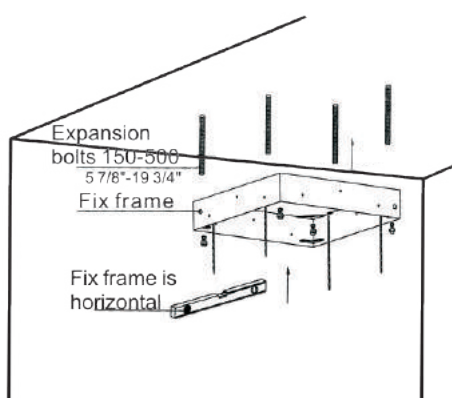


Respectively to unscrew ⑦ Decorative screws, separate ⑥ Decorative shower panel and ④ Shower head; Respectively to unscrew ⑤ Shower fixing screws, separate ④ Shower head and ② Stainless steel fix frame.

◆ Shower head installation fixed frame A:



◆ Shower head installation fixed frame B:

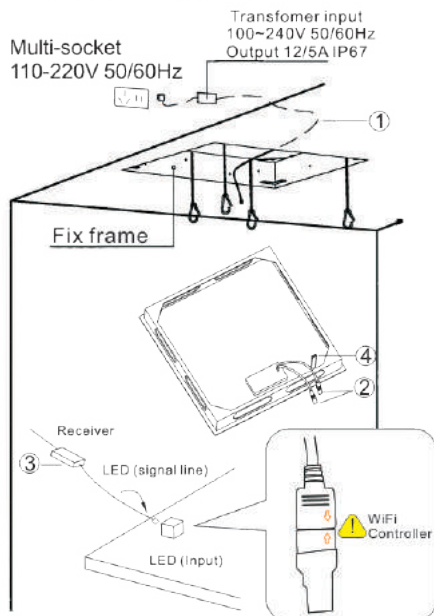


There are two methods to fix ② Stainless steel fix frame.

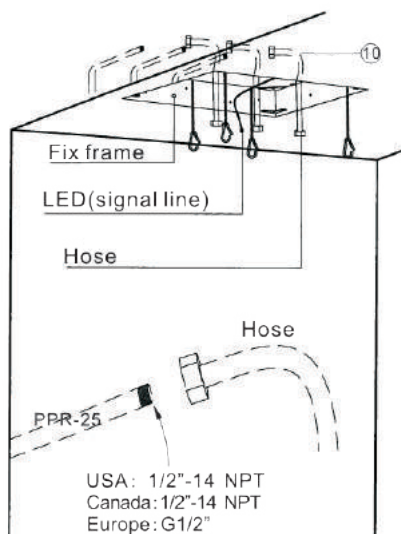
A: Use screws to fix directly;

B: Use of expansion bolts 150-500mm 5/8"-19 3/4".

◆ Layout for power



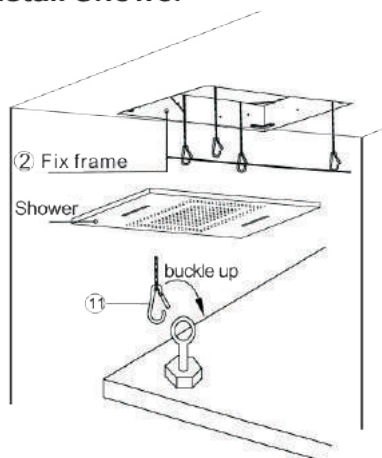
◆ Layout for water pipe



Connect ① LED Power Supply with ③ WiFi Receiver Connector and ② Shower Music Connector respectively; The Shower music connector has two connectors. If you have only one music, only one needs to be connected and the other one does not need to be connected. Finally, connect the male connector of ③ WiFi receiver with the female connector of ④ Shower head LED input. (Attention: the male connector is matched to the female connector each other, do not connect wrongly, otherwise it will cause damage to the receiver).

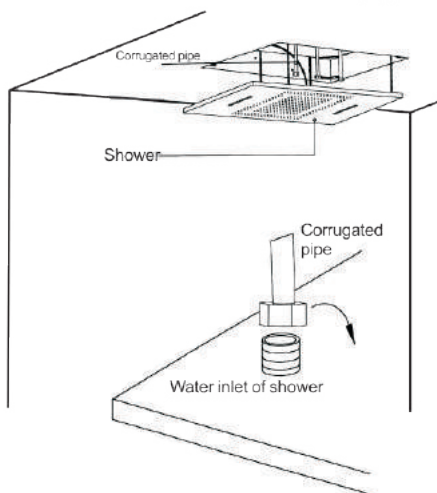
Connect one end of the three ⑩ corrugated pipes with the embedded PPR water pipe respectively, the other end connect with the three water

◆ Install Shower

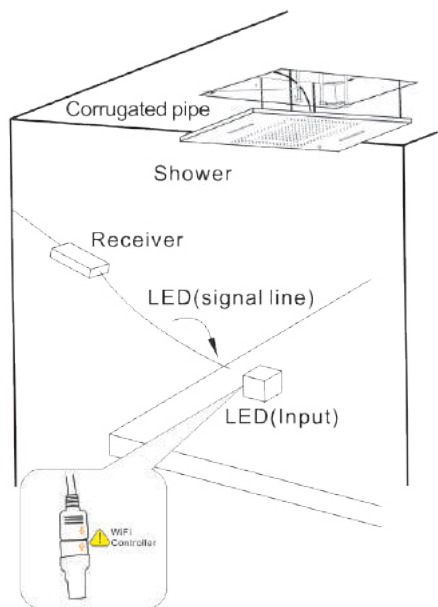


Hook ① Wires with a hook on ② Stainless steel fix frame, used to assist in easy installation of showerhead;

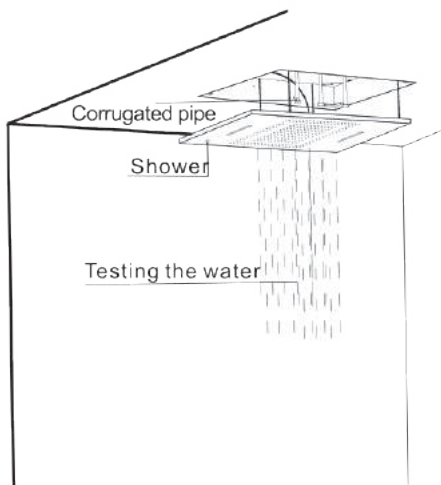
◆ Connect the water inlet pipe



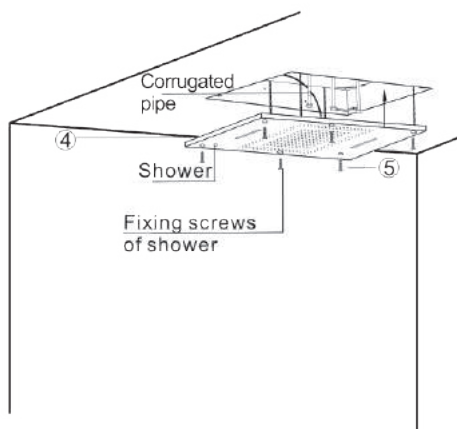
◆ **Connect LED(signal line)**



◆ **Testing the water**

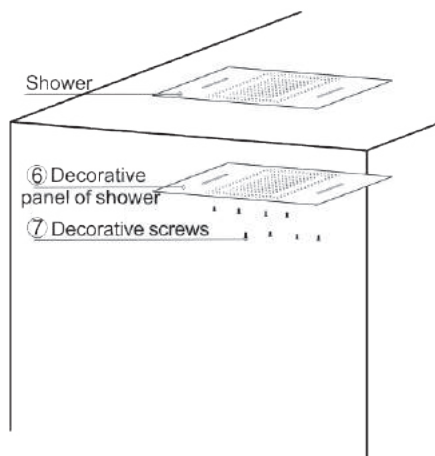


◆ **Shower installation**



⑤ Shower fixing screws are fitted with ④ Shower head.

◆ **Fix the decorative panel of shower**



⑦ Decorative screws are fitted with ⑥ Decorative shower panel.

◆ Touch remote use instruction:

Main parameter:

Panel controller:

Working Temp.: -20~60

Supply Voltage: DC12-24V

Size: L50*W35*H23mm

1 15/16" * 1 6/16" * 14/16"

Output: 3 Channel

Output Current: <2A (each channel)

Connection mode: common anode

Touch Remote:

Working voltage: 1.5V * 3V

Emission current: 10mA

Working Current: 300uA

Standby Current: 3uA

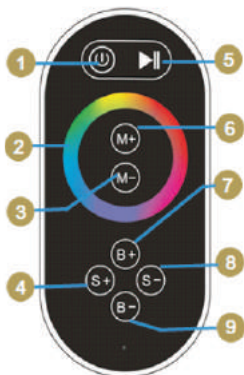
Standby time: 6 months

Control distance: L20M

Color pulley point: 60



1. Touch remote have 64 touch key, each keys function below:



- ① Turn ON/OFF
- ⑤ Mode Switch
- ② Color Touch Ring
- ③/⑥ Color Temperature adjusting
- ④/⑧ Dynamic Speed adjusting
- ⑦/⑨ Dynamic Brightness adjusting

Pause: on the dynamic mode, you can make the controller to stop the current state now.

2. Power supply management:

Stop to use the remote more than 20s, the remote will enter the standby state (untouchable state); slightly shake once, then the remote will come back to the normal working state (touchable state)

3. Indicator light instruction:

Slightly shake once, then the remote will come back to the normal working state (touchable state)

3.1. The remote is idle or sent signal when the PWR light, PWR is off, then means the remote is in standby state;

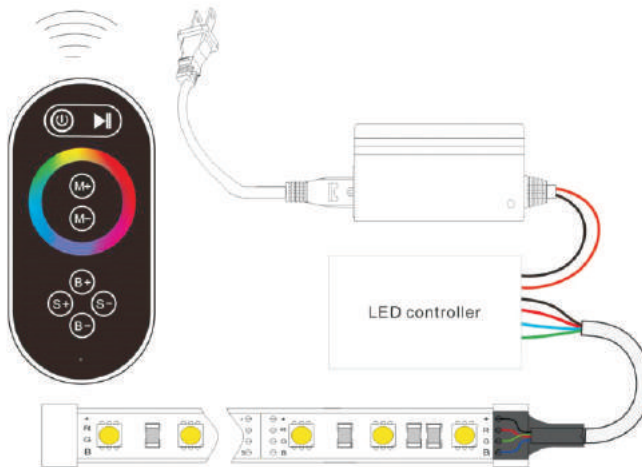
3.2. RF is bright, that means remote is sending signal. off means there is no signal sending

◆ User Manual

Mode:

NO.	FUNCTION	REMOTE
1	Static red	Brightness is adjustable Speed is unadjustable
2	Static green	
3	Static blue	
4	Static purple	
5	Static blue-green	
6	Static yellow	
7	Static white	
8	R G B Jumping	Brightness is adjustable Speed is adjustable
9	R G B Gradual	
10	7-Colors Jumping	
11	7-Colors Gradual	

Controller connections shown:

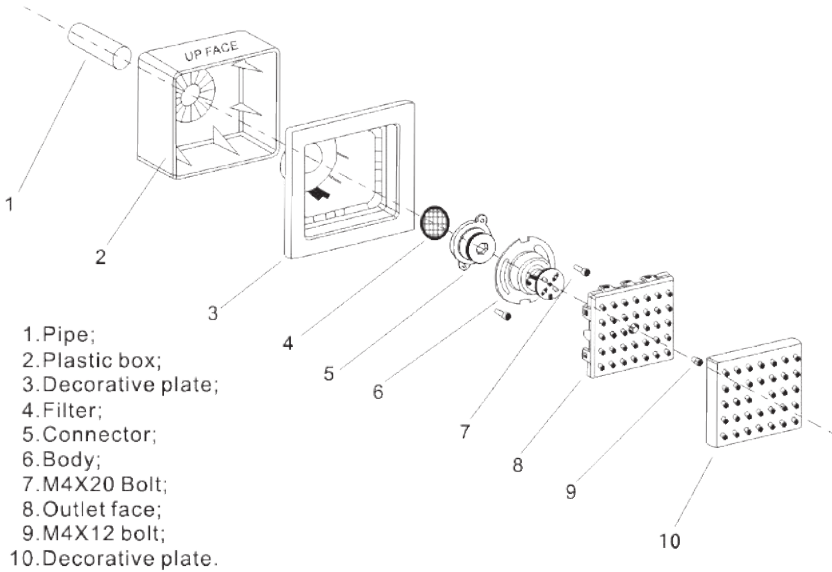


Remarks:

1. This product should be commissioned and installed by qualified personnel.
2. This product can not be waterproof, need to avoid sun and rain, if installed outdoors, please use waterproof box.
3. Good heat dissipation conditions will extend the life of the LED controller, please install the product in a well-ventilated environment.
4. Please do not install or use such products in lightning, thunder, strong magnetic or high voltage applications.
5. Please check whether the output voltage of the LED power supply used meets the product voltage range requirements.
6. The diameter of the wire used must be sufficient to load the connected LED luminaire, and ensure that the wiring is firm, to avoid the wire overheating or poor contact triggers the accident.
7. Before power-on debugging, ensure that all wiring is correct to avoid damage to the luminaire due to wiring errors.

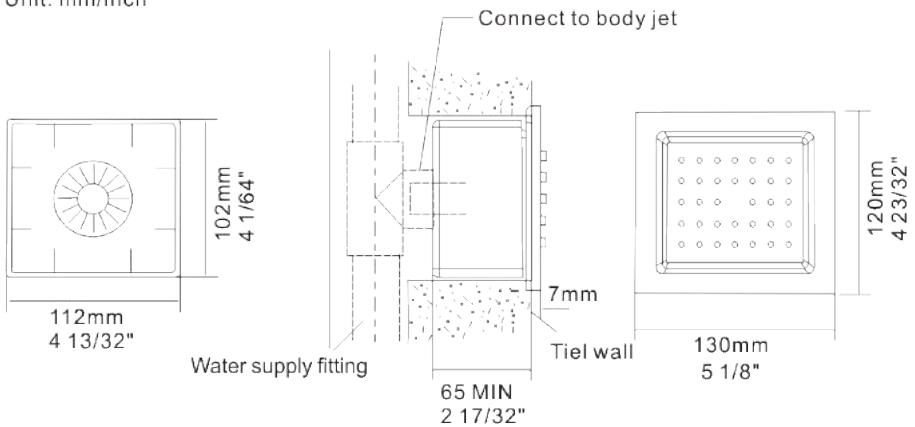
◆ Body jet Installation Instruction

◆ See the exploded drawing below:



◆ See the dimension drawing below:

Unit: mm/inch

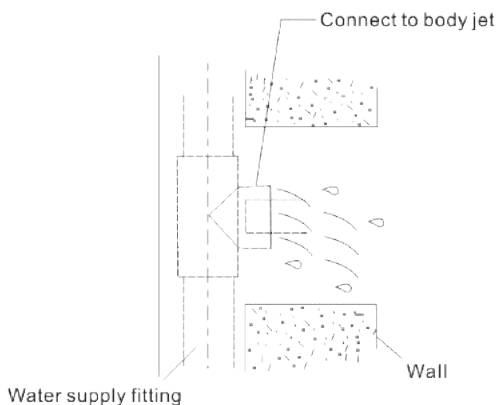


◆ See the installation steps as follows:

1 Preparation.

Before installation, you should pay attention to the three points as follow:

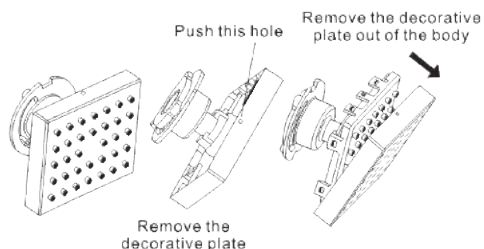
- 1.1 Check the new product for damage, if the product is suffered, please contact us;
- 1.2 Check the accessories whether complete in the packing;
- 1.3 Flush the water supply fittings;



2 Installation

2.1 The new product is a combination before leaving the manufacturer, please disconnect the product before your installation as the illustrations below:

2.1.1



2.1.2



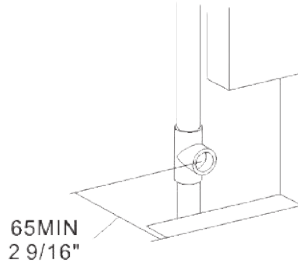
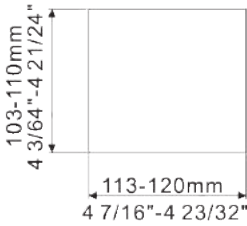
Remove the M4X12 screw and the outlet face

Remove the M4X20 screw and the connector body

2.2 Please see the installation illustrations below:

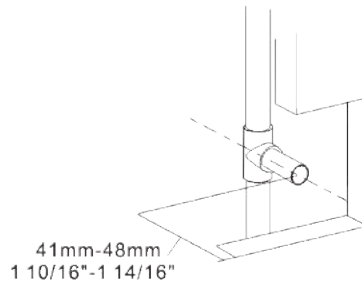
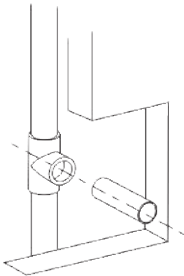
2.2.1

Unit: mm/inch



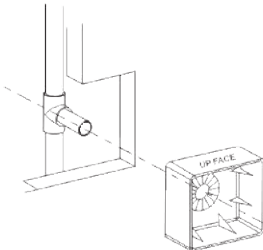
Notice: The distance between the water supply system and the finished wall be at least 65 mm.

2.2.2 Reference the size to drill the wall as above

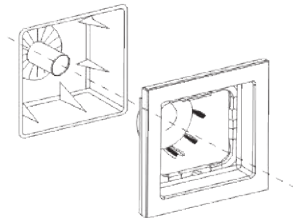


- Screw the pipe to the water supply fittings;
- The distance between end point of the pipe and finished wall shall be 41 mm (1 10/16"-1 14/16") to 48 mm (1 10/16"-1 14/16"), cut off the longest part;
- Then take off the pipe, screw the sealant tape to the pipe, screw to water supply fittings again;
- Turn on the water supply system to flush the pipe;
- Close the water supply system.

2.2.3

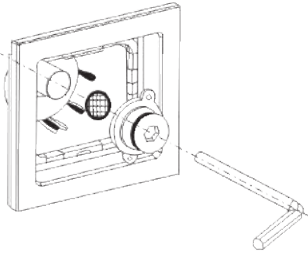


2.2.4



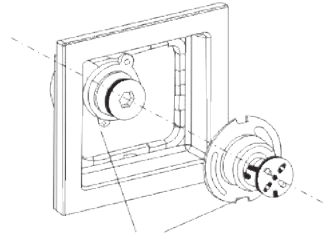
- Push the plastic box into the wall
- Make sure the one side which mark with "UP FACE" in the plastic box is in the top position.
- Install the decorative plate assembly into the plastic box
- Make sure the position is correct.

2.2.5



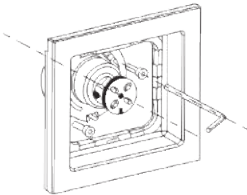
- Screw the connector into the pipe with H10 wrench;
- Push the filter inside connector for seal and no need sealant tape;
- Be careful of the decorative plate assembly are not tighten.

2.2.6



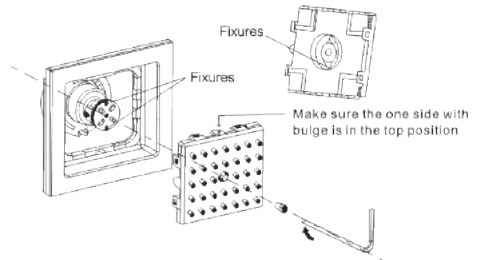
- Make sure the body connect to the connector is complete
- Install the body assembly to the connector;
 - When finish installation, please check their connection is complete.

2.2.7



- Screw the M4X20 bolt into the body by Allen key;
- Make sure the body and the connector are tighten;
- Make sure the decorative plate is not move.

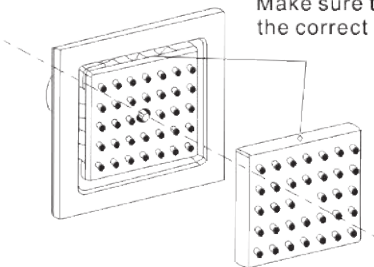
2.2.8



- Install the outlet face assembly to the body;
- Make sure the connection of body and outlet face assembly are complete;
- Screw the M4X12 bolt through the outlet face into the body, don't use excess force or else the outlet face will be damage.

2.2.9

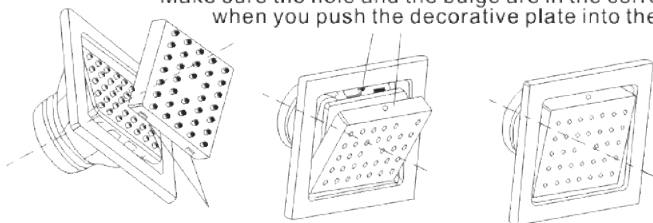
Make sure the hole and the bulge are in the correct position.



Install the decorative plate

2.2.10

Make sure the hole and the bulge are in the correct position when you push the decorative plate into the body

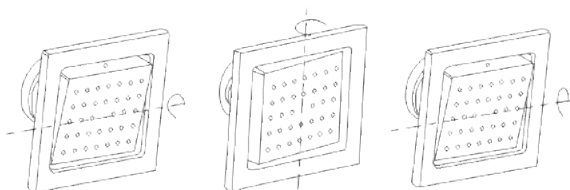


This side is in the bottom position when push the decorative plate into the outlet face.

- Screw the outlet face a little angle;
- Make the decorative plate have a little angle too when push it into the outlet face;
- Adjust the outlet face when push the decorative plate in order to put it out of the decorative plate.

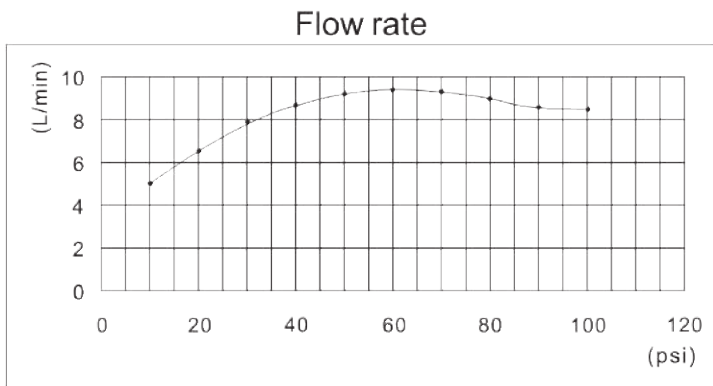
Function

1:Product can adjust the angle position as below:



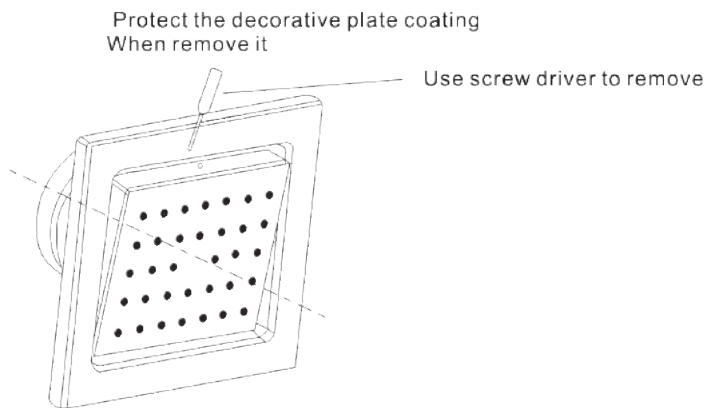
2:0.5 bar is the product minimal supply pressure, for the best shower effect, you had better to use above 1.0 bar supply pressure.

3:Flow rate illustration.



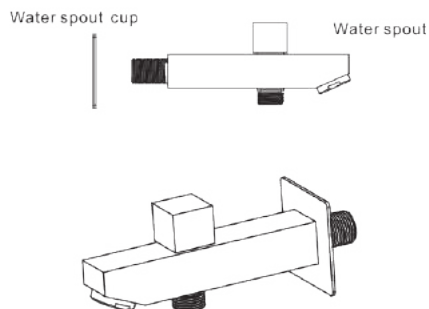
Maintenance and Cleaning:

1:The product will be dinginess inside of the body when you use it daily, So we advice you to clean as follow:

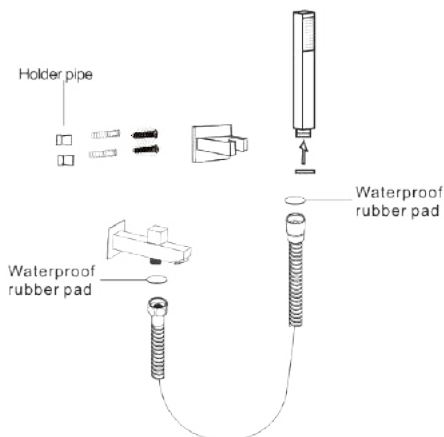


- Make the decorative plate have a little angle when remove it;
- Use screw driver to remove the decorative plate;
- Reference to the illustration 1 to help you remove it smoothly.

◆ Shower holder & spout installation



Install the decorative cover under the water spout, and then tighten it into the wall using the waterproof tape.



- Step1. Using anchors to screw the holder pipe to the wall firstly
- Step2. Remove two screws on the shower seat
- Step3. Insert the shower seat into the copper fittings that have been installed on the wall and then fix the shower seat with 2 screws

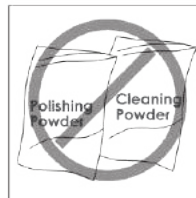
Care and Maintenance

In order to keep the mixer surface bright , please clean the mixer regularly.

Rinse faucet with clean water and wipe with soft cotton cloth.

Avoid using cleaning powder , harsh cleaning chemicals, brushes, and cloth with coarse surface to prevent scratching and corrosion.

Do not use acid cleaner to clean the faucet as it may cause surface corrosion of the faucet. If the faucet comes into contact with harmful acid substances, please rinse it with water immediately.



If a large-scale clean-up is necessary, follow these procedures:

1: Use clean water and soft cloth to remove dirt on the surface as much as possible.

2: Use one of the following cleaners to remove dirt on the surface

Mild liquid cleaner.

Colorless glass cleaner, powder cleaner which does not have abrasive function and can be dissolved completely.

Polish liquid which does not have abrasive function.

3: After cleaning, remove the cleansing agent with clean water completely and wipe with soft cotton cloth.