

Instruction Manual

Rain Shower System



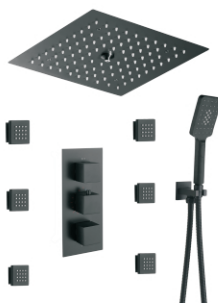
6475



6865



6069



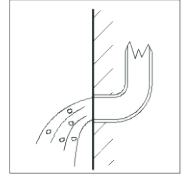
6708

Contents

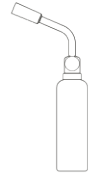
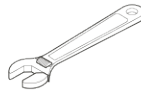
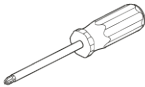
| | |
|---|----|
| ■ Installation Condition ----- | 1 |
| ■ 6475/6865 ----- Luxury 3-Function Thermostatic Shower System | 2 |
| ■ 6069 ----- Luxury 4-Function Thermostatic Shower System | 7 |
| ■ 6708 ----- Luxury 4-Function Thermostatic LED Shower System | 13 |
| ■ Care and Maintenance ----- | 24 |

◆ Installation Condition

1. Check the Accessories List to verify that all parts are complete in this package.
2. Do not disassemble the main body by yourself.
3. Connect inlet pipes to supply valves.
4. Make sure inlet pipes and supply valves have been installed and cleaned, with no impurities in the pipeline.
5. After installation, check all joints for leakages.
6. Do not leave the rain shower system exposed to a severely corrosive environment.



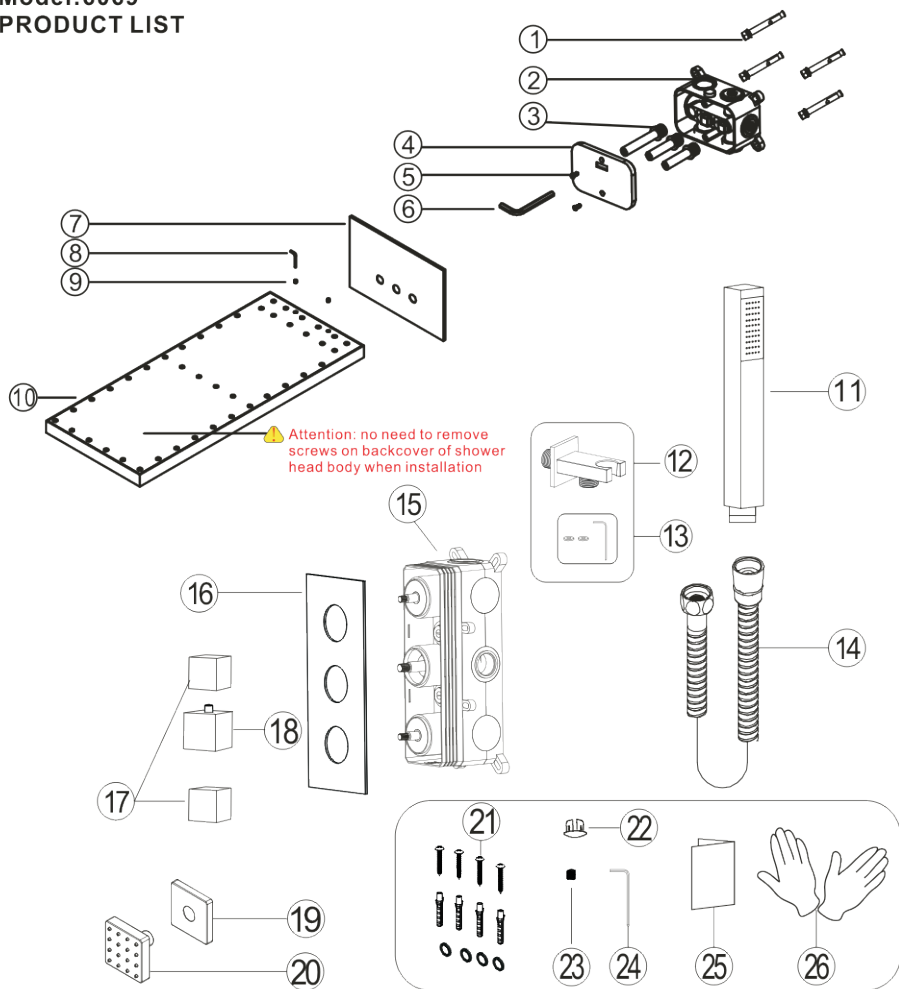
YOU MAY NEED:



◆ **Luxury 4-Function Thermostatic Shower System**

Model:6069

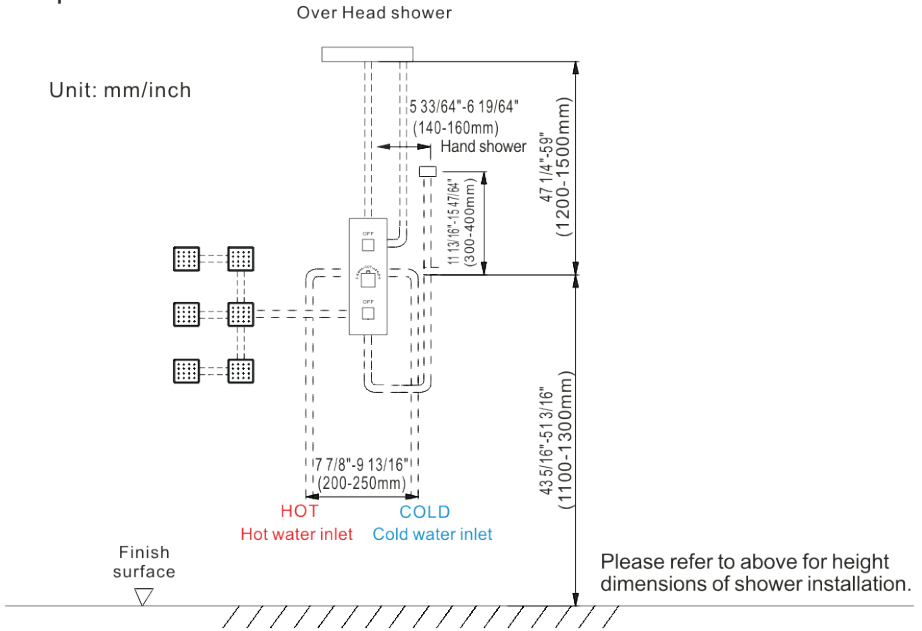
PRODUCT LIST



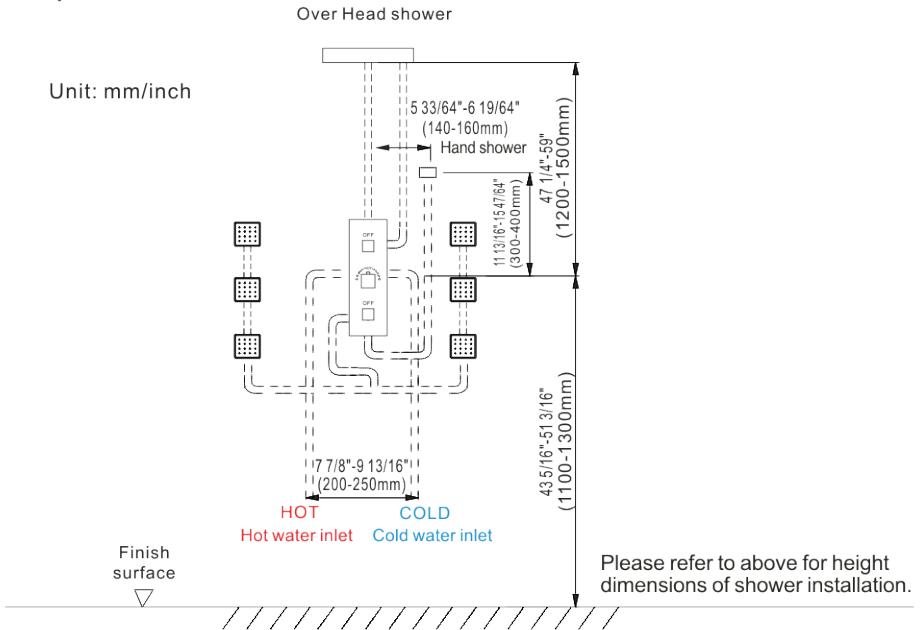
| No. | Part name | Qty | No. | Part name | Qty | No. | Part name | Qty |
|-----|------------------|-----|-----|------------------|-----|-----|--------------------------|-----|
| 1 | Expansion screws | 4 | 10 | Shower head body | 1 | 19 | Body jet cup | 6 |
| 2 | Inwall box | 1 | 11 | Shower hand | 1 | 20 | Body jet | 6 |
| 3 | Waterinlet | 3 | 12 | Hand show holer | 1 | 21 | Valve gasket spare parts | 4 |
| 4 | Cover | 1 | 13 | Holder parts | 1 | 22 | Handle cap | 1 |
| 5 | Screw | 2 | 14 | Shower hose | 1 | 23 | Screw | 1 |
| 6 | S8 Allen key | 1 | 15 | Main body | 1 | 24 | Wrench | 1 |
| 7 | Flange | 1 | 16 | Panel | 1 | 25 | Instruction manual | 1 |
| 8 | Allen key 2.5 | 1 | 17 | Water diverter | 2 | 26 | Gloves | 2 |
| 9 | M4 screw | 2 | 18 | Handle | 1 | | | |

◆ **Essential Dimensions**

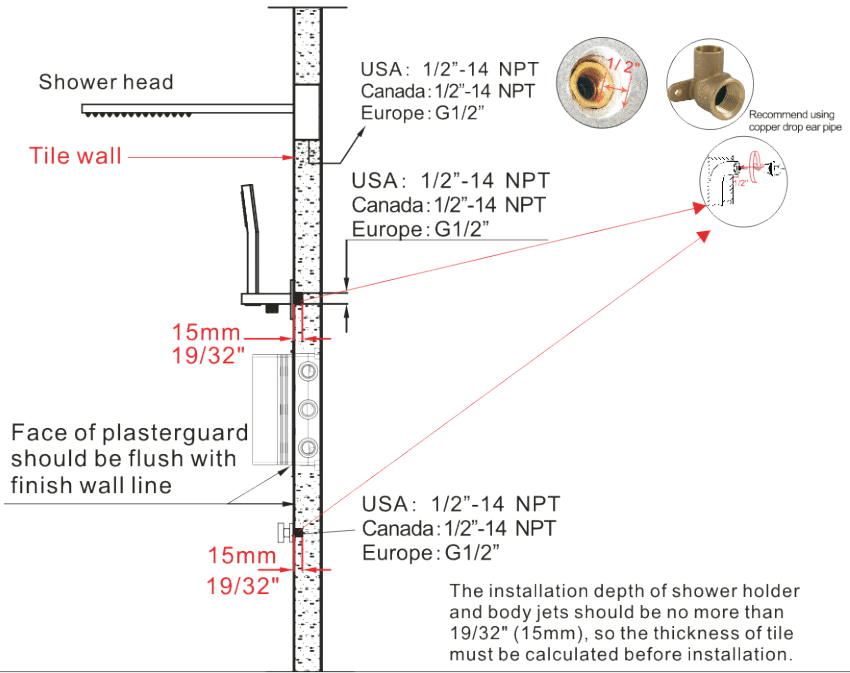
Step 1



Step 2

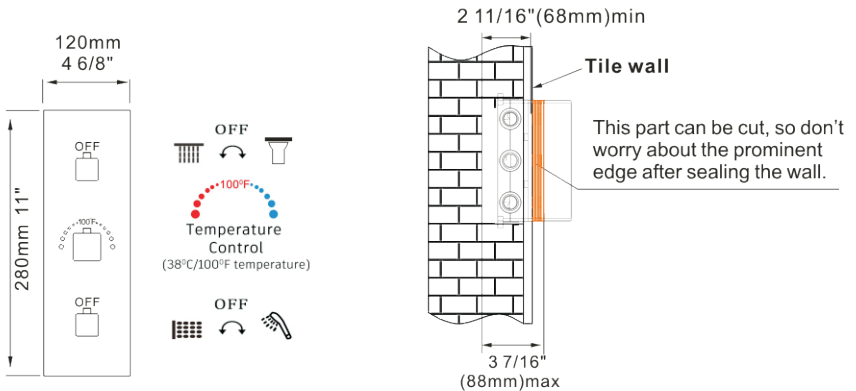


◆ Installation Depth of Shower Holder & Body Jets




◆ Installation Depth of Main Body

Unit: mm/inch

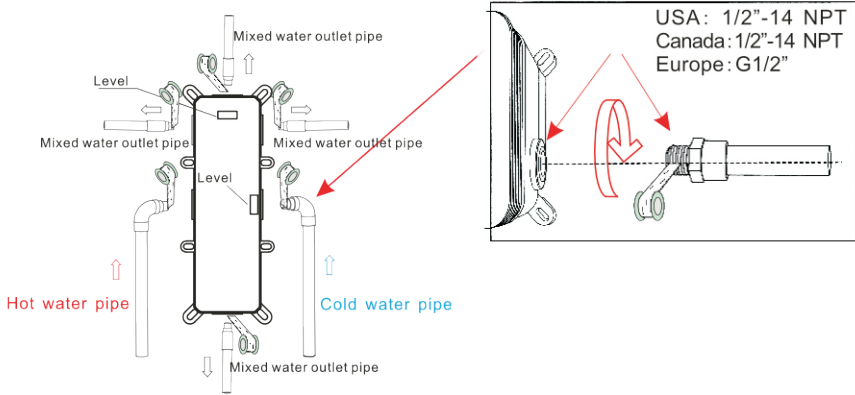


Notice: The installation depth of main body should be no less than 2 11/16" (68mm) and no more than 3 7/16" (88mm), including the thickness of tile, Otherwise, the panel cannot be installed.

◆ MAIN BODY CONNECTING PIPE SCHEMATIC DIAGRAM

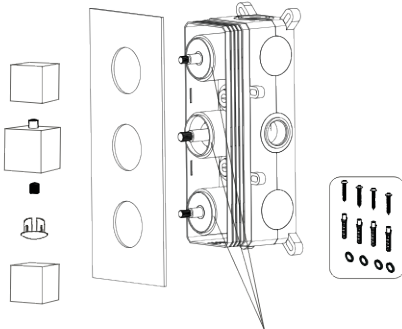
 Warning: must install hot water and cold water inlet strictly as instructions.

Wrap enough teflon tape



1. As shown in the figure, the inlet and outlet pipes are pre-buried, pay attention to the correct direction of installing the pre-buried main body, and make sure that the mark level on the top of the installation box is facing upward.
2. Install the hot and cold water inlet pipes, Shower head and hand shower holder body jet pipes. Turn on the water source to test whether the left and right inlet pipes are tightly connected without leakage. After the test, adjust the flow switch to be on to test whether the mixed outlet pipe. The connection is tight and there is no leakage.

◆ MAIN BODY VALVE INSTALLATION



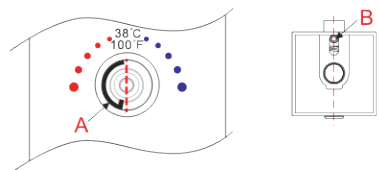
Do not remove the white wear ring otherwise the handwheel will be damaged

Precautions for handwheel installation

※1: The red line can't misplace, it should be kept in a line, otherwise the water temperature of 100°F or 38°C will not be correct.



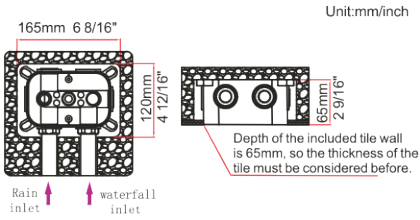
※2: Please ensure that A Plastic locating ring and B handwheel locating pin kept in the same line with 100°F or 38°C. Otherwise, the water temperature will be wrong.



Use Valve gasket spare parts and to fixed Main body on the wall and then install Panel, Then use 3pcs screws respectively to install 1pcs hand and 2pcs water separation, and finally install the hand cover.

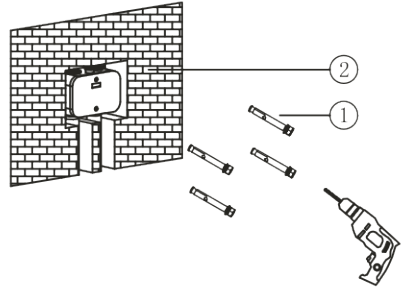
◆ Model:6069 22in Shower Head Installation

1. Digging wall according to following size, and connect rain and waterfall inlet correctly

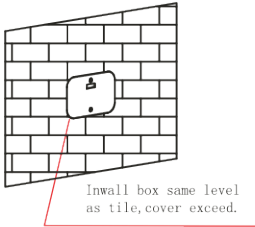


⚠ If the Inwall box is embedded too deep, the shower head will not be installed properly and it will cause water leakage and sag problems. Please pay special attention to the installation depth.

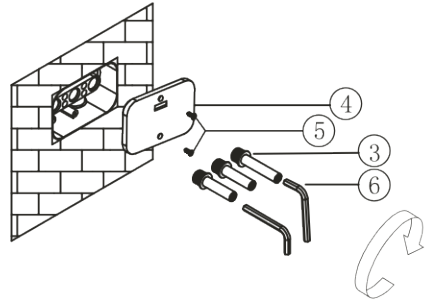
2. Lock Inwall box refer to level meter guarantee horizontal level and test leaking for 24 hours.



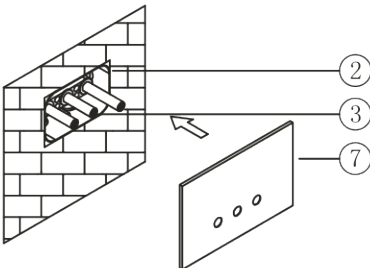
3. Remain inwall box in same level as wall after seal the tile and cover exceed wall.



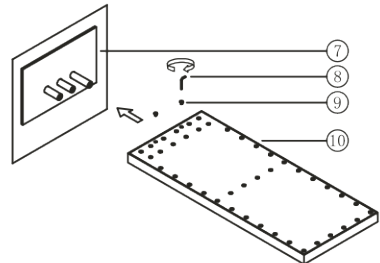
4. Install Shower head body. First remove box cover and plug, screw three water inlets into inwall box with S8 Allen Key. Longest role is support.



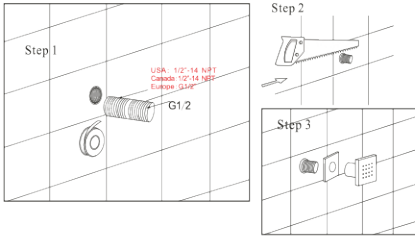
5. Install Flange as picture. Caution: do setp 4-5-6 to test horizontal and vertical position of shower head before wall seal to avoid any trouble of repair after wall seal.



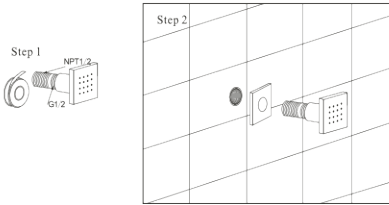
6. Push shower head body into according water inlets, and tighten shower body by M4 screw with Allen key 2.5.



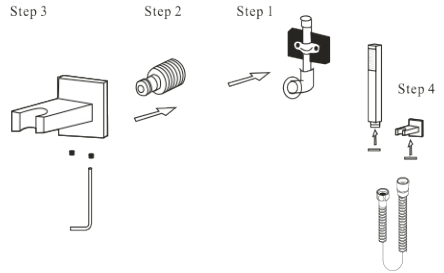
◆ Installation Of Massage Shower



- Step 1. Wrap the threaded pipe of NPT1/2 with Teflon tape and screw it into the wall.
 Step 2. Cut off excess part with a saw.
 Step 3. Put on the decoration cap, then screw the massage shower in.



◆ Shower Holder Installation Install The Hand Show Holder



- Step 1. Screw the thread into the water pipe inside the wall.
 Step 2. Screw the main body into the thread.
 Step 3. Rotate and fix the body with the special-shaped wrench.
 Step 4. Connect hand shower and the hose.

◆ CARE AND MAINTENANCE

In order to keep the mixer surface bright , please clean the mixer regularly.

Rinse faucet with clean water and wipe with soft cotton cloth.

Avoid using cleaning powder , harsh cleaning chemicals, brushes, and cloth with coarse surface to prevent scratching and corrosion.

Do not use acid cleaner to clean the faucet as it may cause surface corrosion of the faucet. If the faucet comes into contact with harmful acid substances, please rinse it with water immediately.



◆ IF A LARGE-SCALE CLEAN-UP IS NECESSARY, FOLLOW THESE PROCEDURES:

1: Use clean water and soft cloth to remove dirt on the surface as much as possible.

2: Use one of the following cleaners to remove dirt on the surface

Mild liquid cleaner.

Colorless glass cleaner, powder cleaner which does not have abrasive function and can be dissolved completely.

Polish liquid which does not have abrasive function.

3: After cleaning, remove the cleansing agent with clean water completely and wipe with soft cotton cloth.