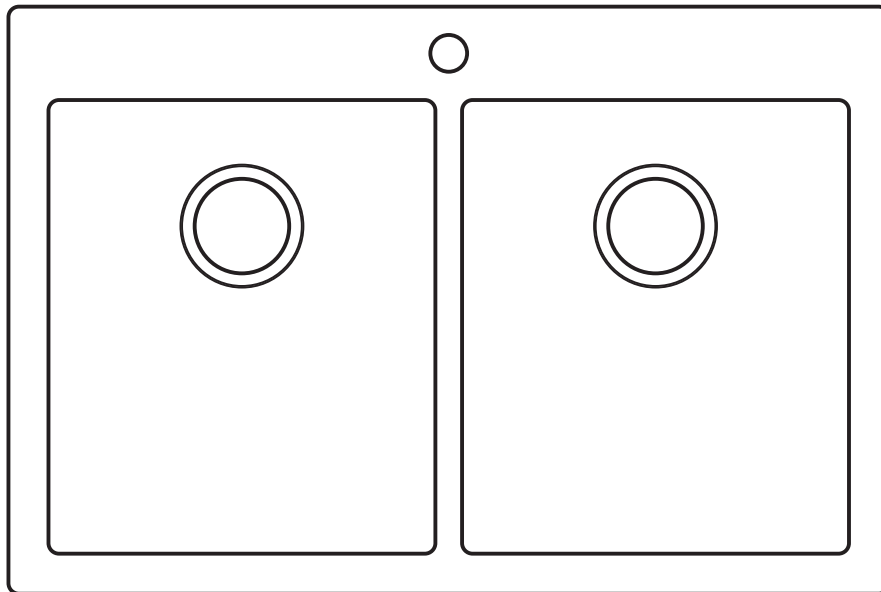




MONDAWE  
PICK YOUR FAVORITE

# INSTALLATION GUIDE

## TOPMOUNT SINK



Website:[www.mondawe.com](http://www.mondawe.com)

Customer Service:[service@mondawe.com](mailto:service@mondawe.com)

Phone:888-328-5111

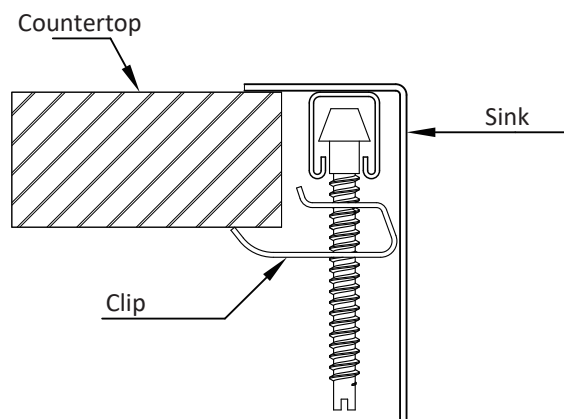
## RECOMMENDED TOOLS

Drill and Drill Bit  
Long Shank Flat Screwdriver  
Plumbers Putty  
Pencil  
Silicone Caulk and Caulk Gun

Saber Saw  
Flashlight  
Teflon Tape  
Safety Goggles  
Gloves

## INSTALLATION

1. Place the template on the countertop and trace a line around the template.
2. Cut the countertop carefully along the line.
3. Place the sink into the countertop opening, sink rim should be resting flat on the countertop.
4. Insert the mounting clips in the under rails and fasten the clips moderately with a screwdriver as illustrated.
5. Seal the sink with silicone caulk.



## CARE AND MAINTENANCE

- Clean regularly with normal detergent and warm water.
- Always make a habit of drying your sink after use and buffing with a soft cloth. This will ensure that no buildup of limescale or other mineral deposits can occur.
- Clean the sink once or twice a month using a nonabrasive cleanser such as Barkeeper's Friend and a clean, soft sponge. Scrub in the same direction as the natural grain of the sink.
- Never let soap or other household cleaners dry on the surface of the sink. Most products contain additives which will affect the finish of the sink.
- Never use bleach solutions on the sink, as it is harmful to stainless steel. If left on the sink too long, it can cause surface pitting.
- Never use a steel wool pad to clean your sink, which may damage the sink's surface and cause discoloration.
- Minor scratching of the sink's surface is extremely difficult to avoid and is not something to be unduly concerned about. These marks are usually only superficial and can be removed with a proprietary stainless steel cleaner.
- Use of rinse grids will reduce exposure of the bottom of the sink to scratches.

**!** This sink is made of T-304 stainless steel which can never rust. If you see rust spots in your sink, it's due to external rust or iron particle contaminants. These rust particles attach to the sink surface, forming rust stains. Clean the rust stains with "Barkeeper's Friend" cleaning powder and a dish scrubbing sponge. Scrub in the direction of the grain. Use toothbrush for corners and edges. Rinse thoroughly with water.