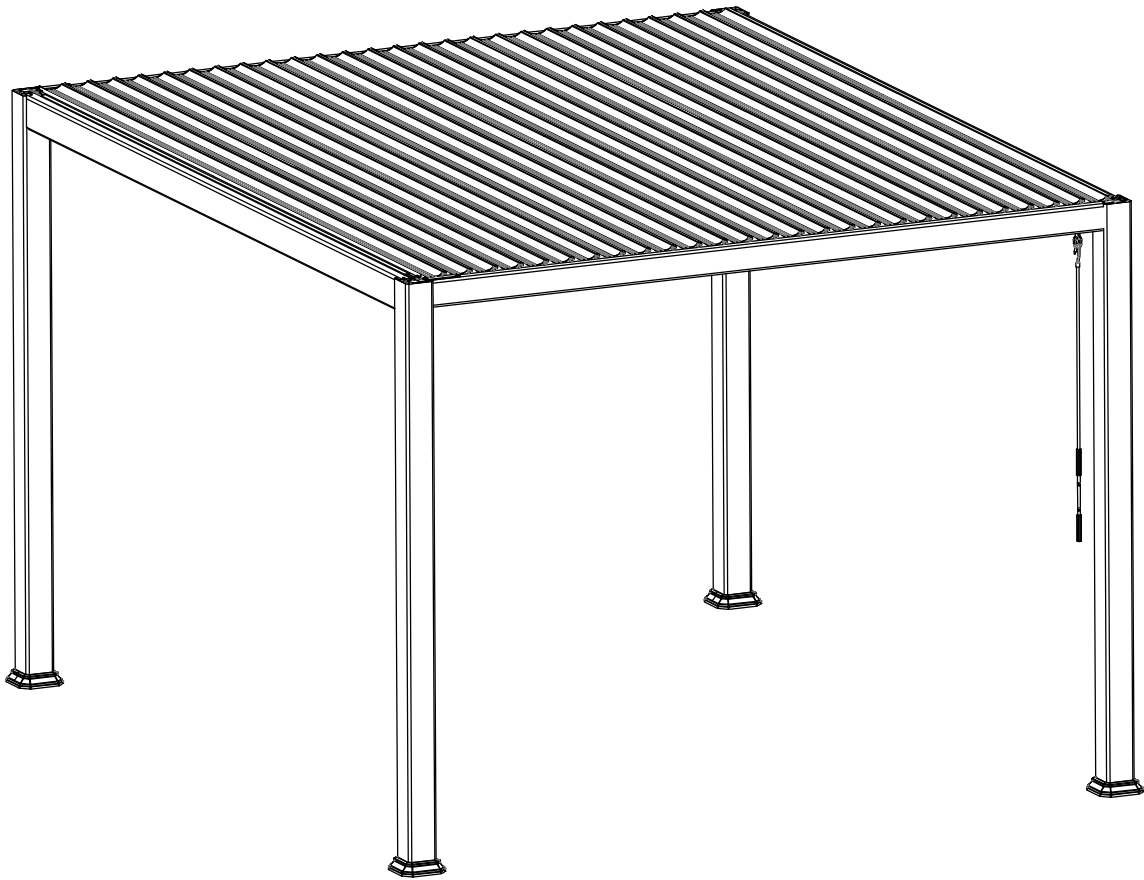


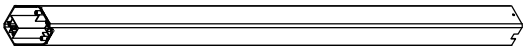
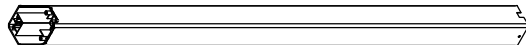
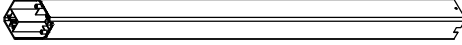
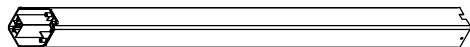







# ASSEMBLY INSTRUCTION








## 10 x 10 ft Louvered Pergola

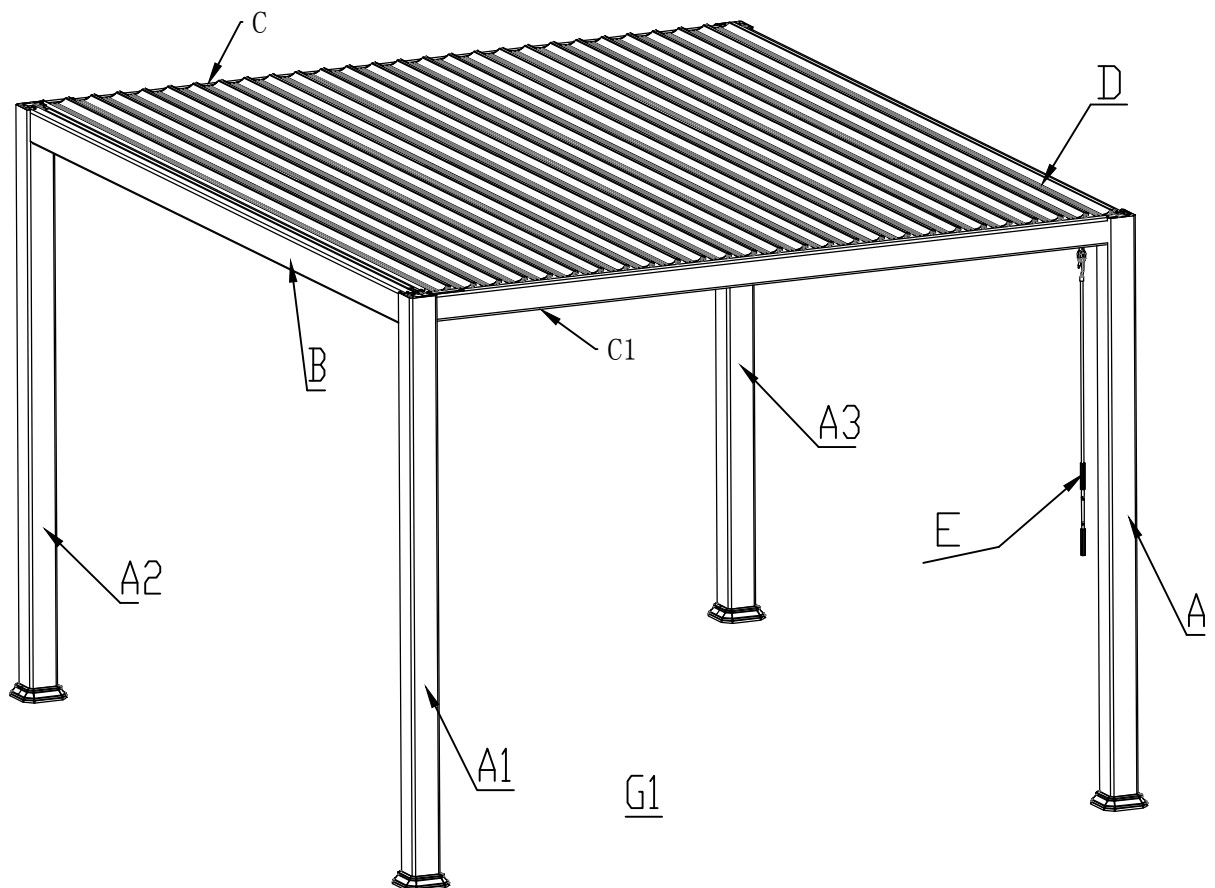


**MONDAWE**  
PICK YOUR FAVORITE

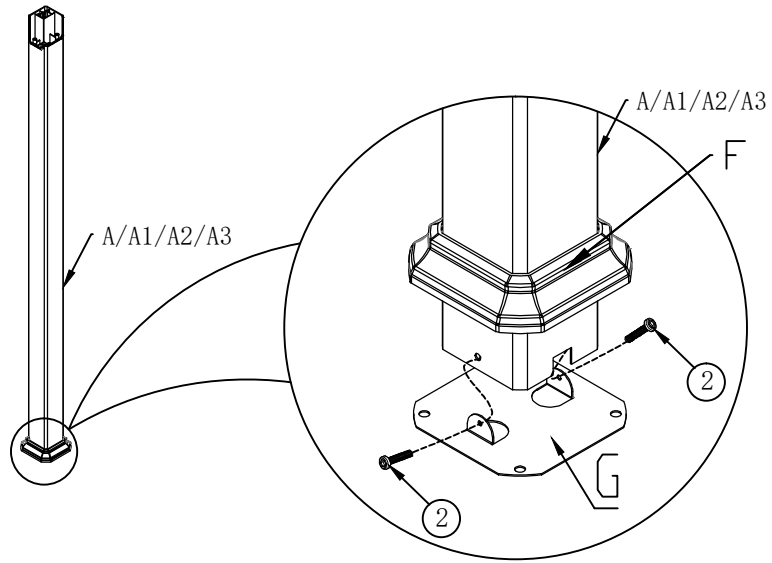
Website: [www.mondawe.com](http://www.mondawe.com)  
Customer Service: [service@mondawe.com](mailto:service@mondawe.com)  
Phone: 888-328-5111

NO.	COMPONENT	QTY
A		1
A1		1
A2		1
A3		1
B		2
C		1
C1		1
D		26
E		1
F		4
G		4

NO.	COMPONENT	QTY
①	 M8*16	24
②	 M6*16	8
③	 M10*120	4
④	 M10*110	4
	 M10	2
	 M8	2
	 M6	2



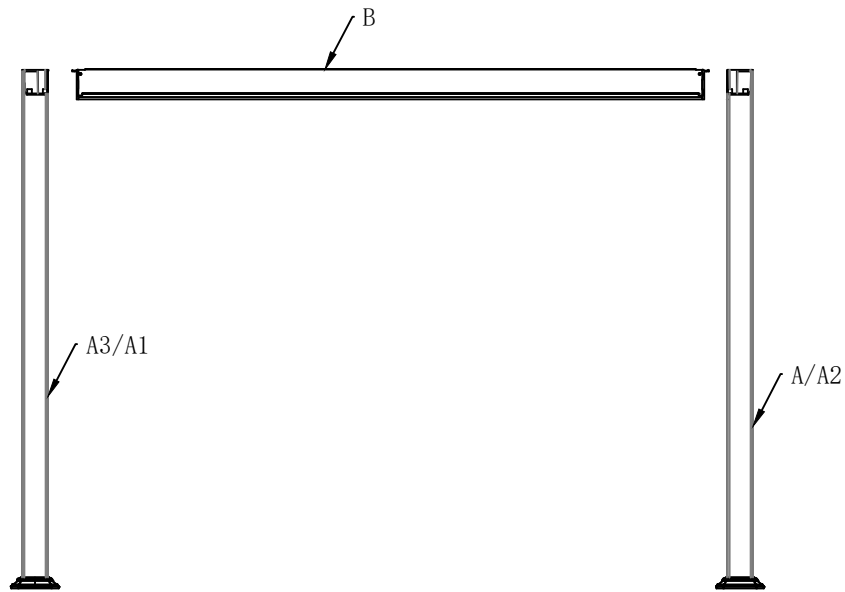
1



**Step 1:**

A/A1 foot pipe installation F and G First, F set into the A/A1 before installing the G footplate  
Use 2# bolts and spacers to fix them.

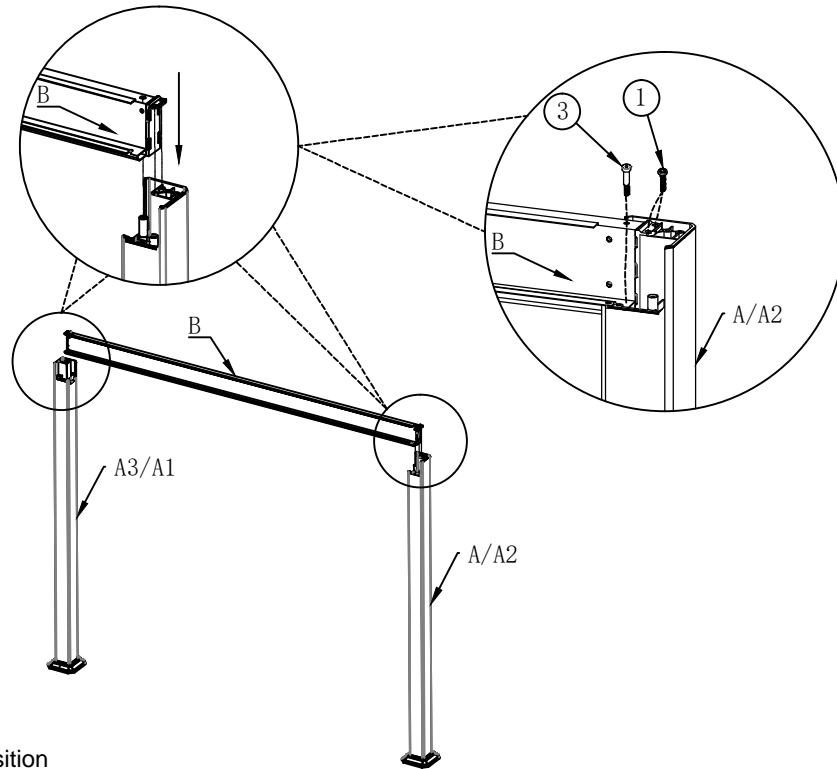
2



**Step 2:**

Put A and A3 on both sides of B first, then repeat the same steps for A1 and A2, installation instructions in step 3

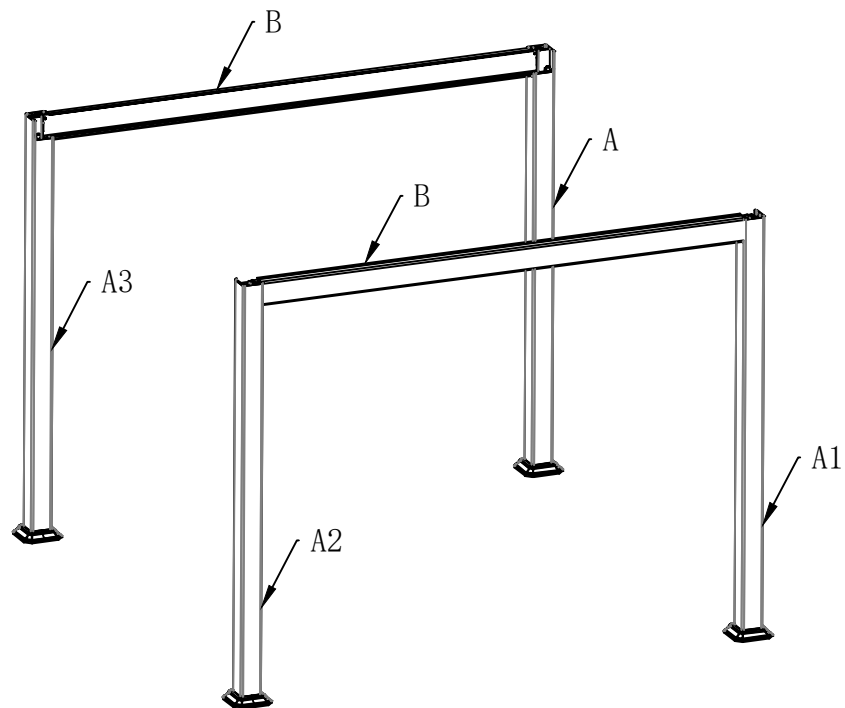
3



**Step 3:**

Place tube B in the dotted line position  
After inserting the B tube into the A and A3 foot tubes, secure them with bolts. Then repeat the same steps for A1 and A2.  
Note that A and A1 must be on the same side, A2 and A3 must be on the same side after the installation is completed

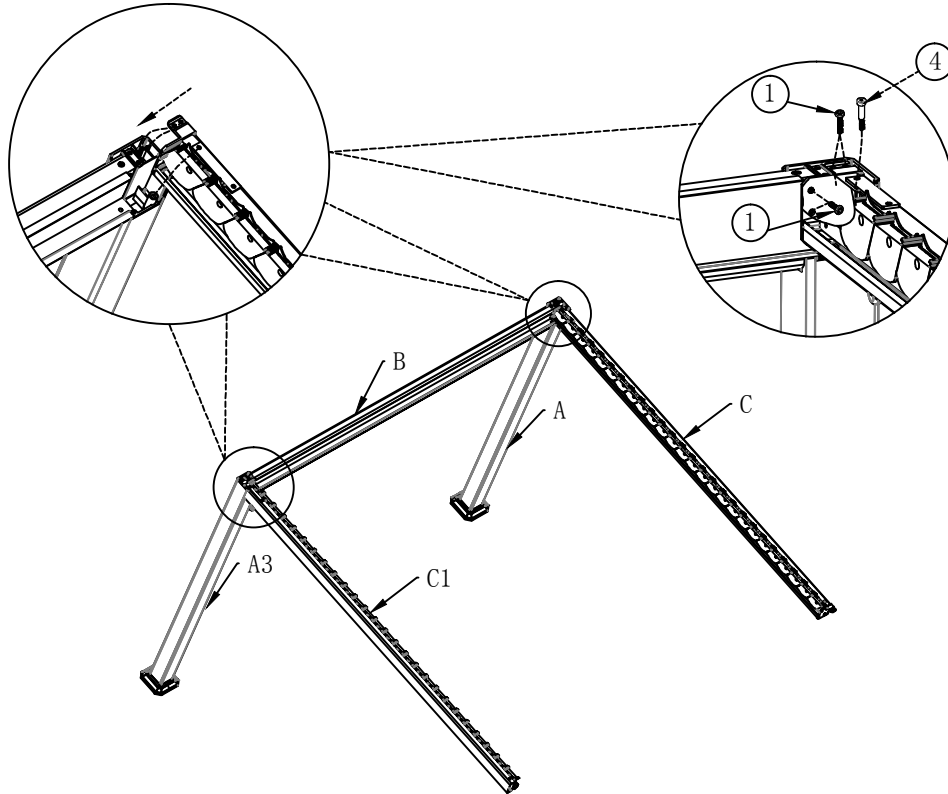
4



**Step 4:**

Repeat step 3, the figure below shows.

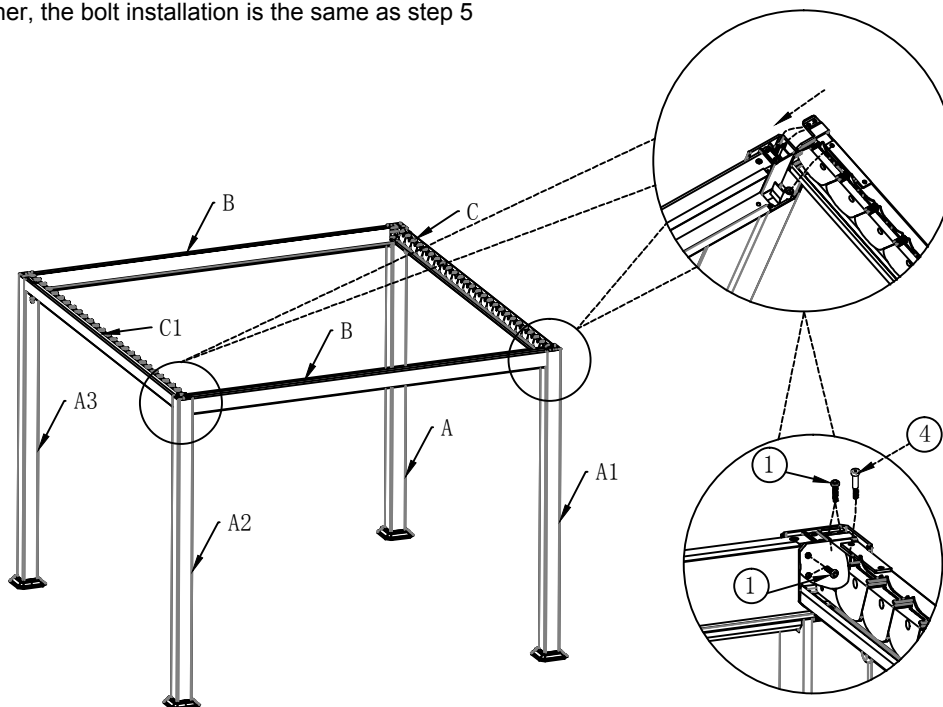
5



**Step 5:**  
Insert the C/C1 tube into the A/A1 leg in accordance with figure below shows. and then bolt it into the A/A1 leg.  
Fixing

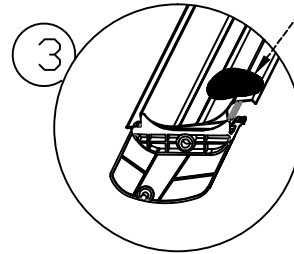
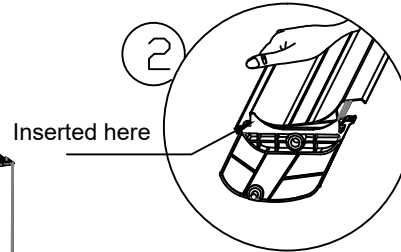
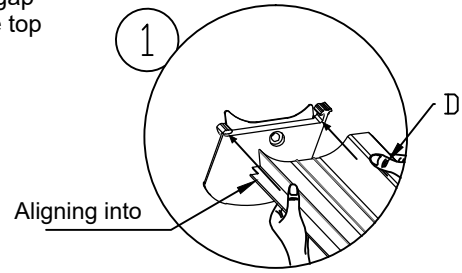
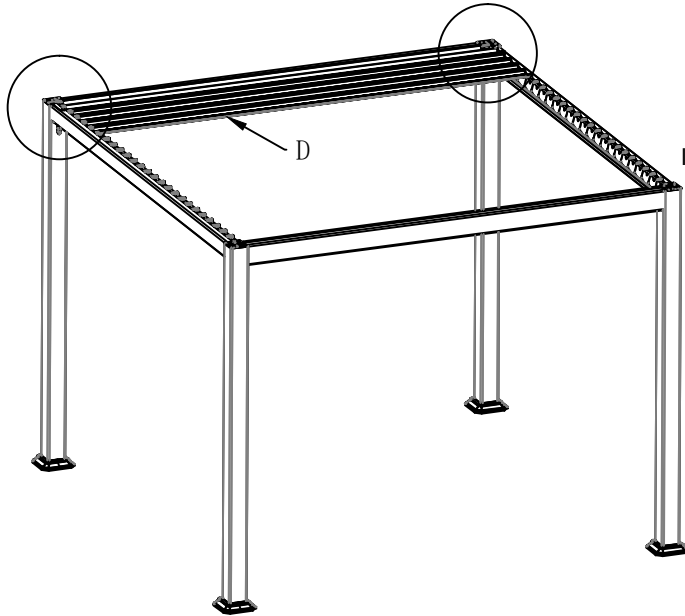
6

**Step 6:**  
Install step 5 and step 3 together. together, the bolt installation is the same as step 5



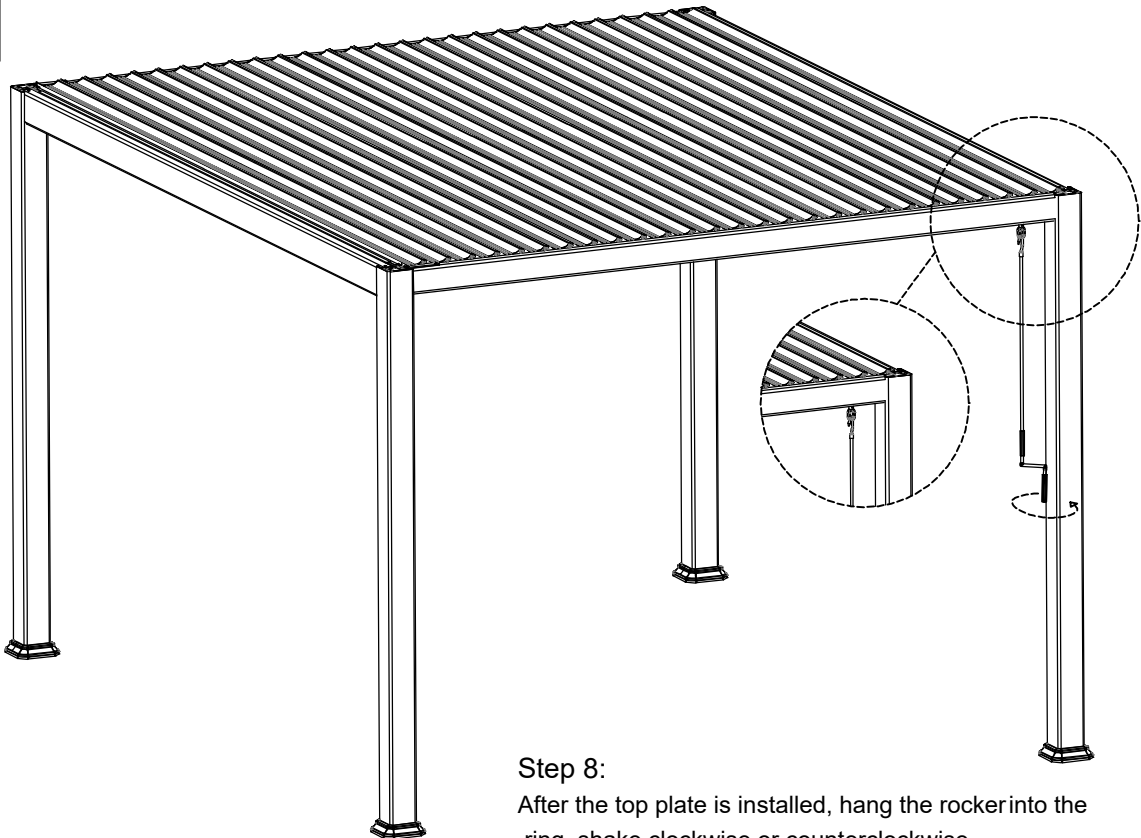
7

Step 7: Install the aluminum top plate, first the aluminum plate a head into the plastic parts, the other end will first have a gap place into the plastic parts, then use your hand to force the top plate, stuck into the plastic parts can be, and then Then repeat the operation for the remaining top plate. See the illustration on the right.



In the black area  
Snap the top plate into  
the plastic part with  
force

8



Step 8:  
After the top plate is installed, hang the rocker into the ring, shake clockwise or counterclockwise with your hand