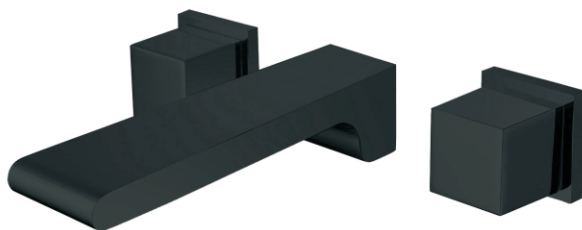


BASIN FAUCET INSTALLATION MANUAL



Mode:1370BWI

◆ INSTALLATION CONDITION



1.Refer to the 《Standard Part List》 when unpacking ,
check all parts available .

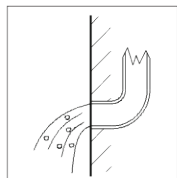
2.Do not disassemble mixer body by yourself.

3.Connect inlet hoses to supply valves.

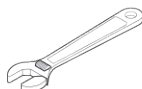
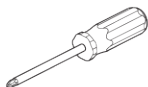
4.Make sure inlet pipes and supply valves have been
installed and cleaned, also ensure no impurities in
pipeline.

5.After installation , check all joints for leakages.

6.Suggest don't fit the faucet in the severely corrosive environments.

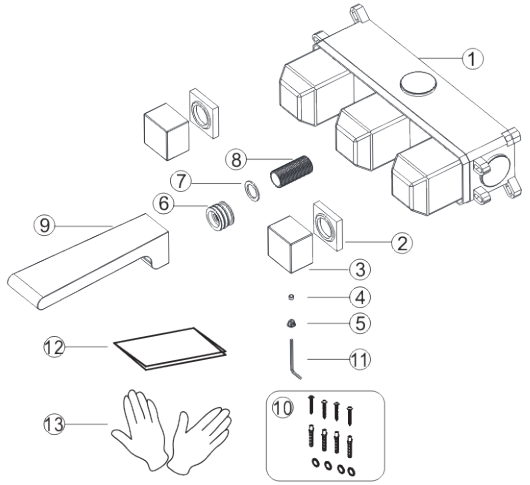


YOU MAY NEED:



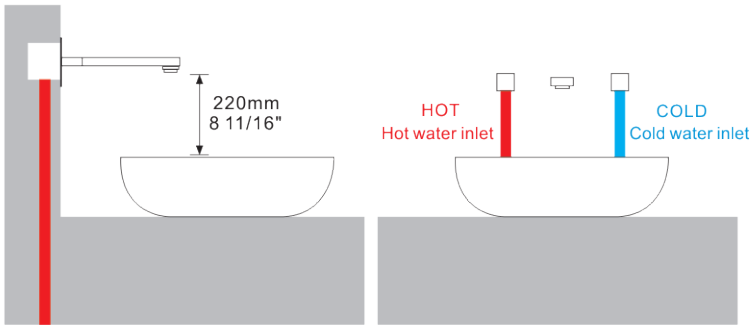
WALL MOUNT FAUCET STANDARD PART LIST

1	Main body	1
2	Panel	2
3	Handle	2
4	Handle screw	2
5	Handle cover	2
6	Male brass joint	1
7	Gasket	1
8	Female brass joint	1
9	Spout	1
10	Body gasket parts	4
11	Handel Wrench	1
12	Instruction manual	1
13	Gloves	1



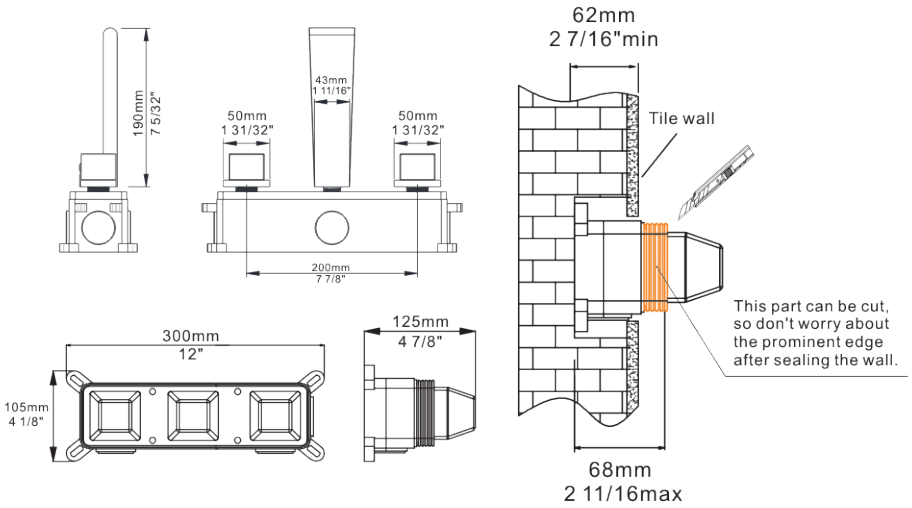
INSTALLATION SIZE DIMENSIONS

Unit:mm/inch



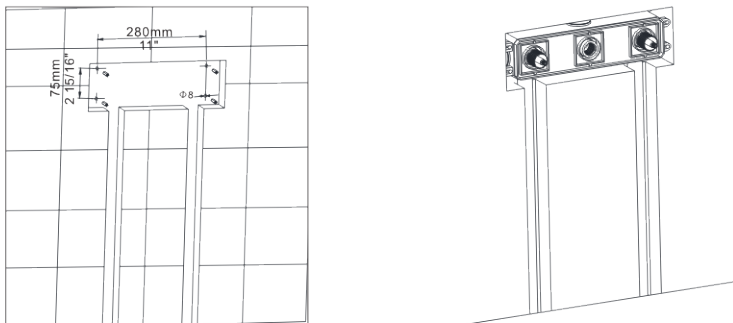
INSTALLATION DEPTH OF MAIN BODY

Unit:mm/inch



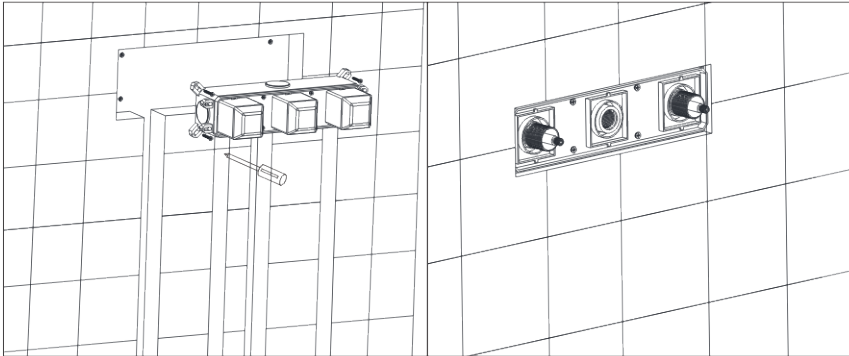
- 1: Including the thickness of ceramic tile is less than or equal to the thickness of valve 2 7/16" (62mm), so the thickness of tile must be calculated before installation.
- 2: Installation Main body depth not less than 2 7/16" (62mm) min and not more than 2 11/16" (68mm) Max, Otherwise, the panel cannot be installed.

MAIN BODY CONNECTING PIPE SCHEMATIC DIAGRAM



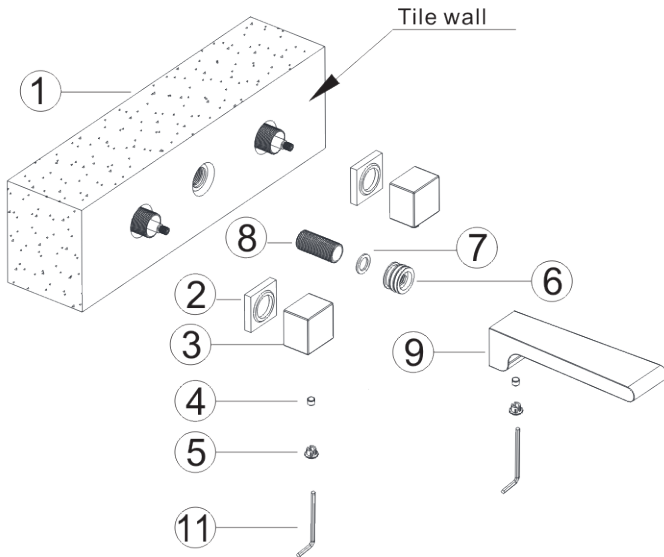
- 1: The pre-buried groove is made on the blank wall (including the thickness of ceramic tile); $\phi 8$ mm holes are punched with impact cobalt on the wall, and the plastic is inserted into the hole.
- 2: As shown in the figure, the inlet pipes are pre-buried, pay attention to the correct direction of installing the pre-buried box, Make sure the level is parallel correctly, otherwise the panel cannot be installed.
- 3: Turn on the water source to test whether the left and right inlet pipes are tightly connected without leakage. After the test, adjust the flow switch to be on to test whether the mixed outlet pipe. The connection is tight and there is no leakage.

MAIN BODY INSTALLATION



1: And there is a level on the pre-embedded body. Adjust the pre-embedded body and lock it on the wall according to the level meter

2. Remove the protective cover, Affix ceramic tile



1. Take ⑥ Male brass joint away from ⑨ Main body, pay attention to screw out, Taking care not to damage O-ring, Wrap the ⑧ Female brass joint with raw material tape. Then connect the Main body, In that order ⑦ Gasket ⑥ Male brass joint ⑨ Main body, Then install Screws and cup.
2. Install Panel and ③ Handle on the ① Main body, then install ④ Handle screw and ⑤ cup.

Care and Maintenance

In order to keep the mixer surface bright , please clean the mixer regularly.

Rinse faucet with clean water and wipe with soft cotton cloth.

Avoid using cleaning powder , harsh cleaning chemicals, brushes, and cloth with coarse surface to prevent scratching and corrosion.

Do not use acid cleaner to clean the faucet as it may cause surface corrosion of the faucet. If the faucet comes into contact with harmful acid substances, please rinse it with water immediately.



If a large-scale clean-up is necessary, follow these procedures:

1: Use clean water and soft cloth to remove dirt on the surface as much as possible.

2: Use one of the following cleaners to remove dirt on the surface

Mild liquid cleaner.

Colorless glass cleaner, powder cleaner which does not have abrasive function and can be dissolved completely.

Polish liquid which does not have abrasive function.

3: After cleaning, remove the cleansing agent with clean water completely and wipe with soft cotton cloth.

After-sales contact

Email: contactus24service@gmail.com

TEL: (303) 747-4321