

Instruction Manual

Rain Shower System



Model:6640



Model:6203

CONTENT

1:Installation Condition	1page
2:Product List	2page
3:Installation shower set size	3page
4:Installation Depth Of Shower Arm & shower Holder	3page
5:Installation Depth Of Main Body	4page
6:Wall mounted/celiling mounted installation before tilong	4page
7:Main Body Connecting Pipe Schematic Diagram	5page
8:Main Body Valve Installation	6page
9:Main Body Assembly Schematic Diagram	6page
10:Installation of rain shower head& shower arm	7page
11:Shower Holder Installation Install The Hand Show Holder	7page
12:Care And Maintenance	8page
13:If A Large-scale Clean-up Is Necessary, Follow These Procedures	8page

◆ INSTALLATION CONDITION



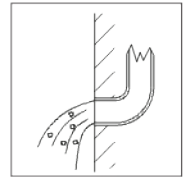
1.Refer to the 《Standard Part List》 when unpacking ,
check all parts available .



2.Do not disassemble mixer body by yourself.

3.Connect inlet hoses to supply valves.

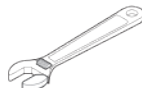
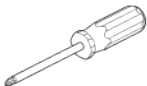
4.Make sure inlet pipes and supply valves have been
installed and cleaned, also ensure no impurities in
pipeline.



5.After installation , check all joints for leakages.

6.Suggest don't fit the faucet in the severely corrosive environments.

YOU MAY NEED:

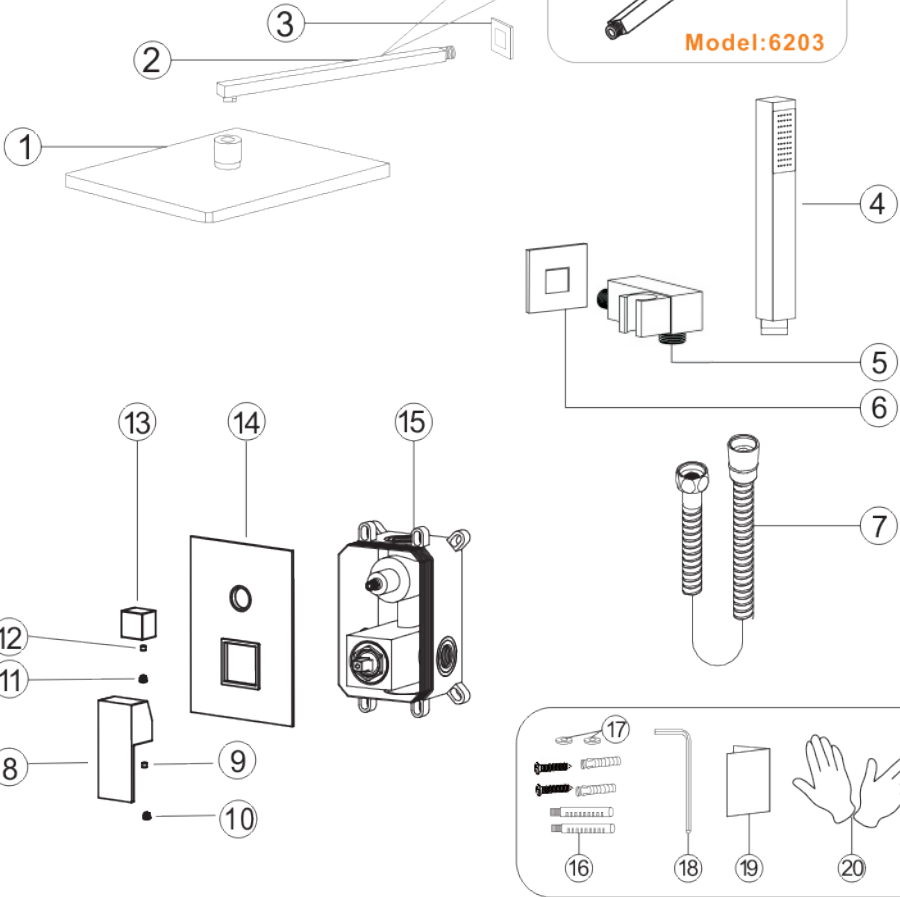


◆ MODEL:6640
PRODUCT LIST

Or Ceiling Shower arm

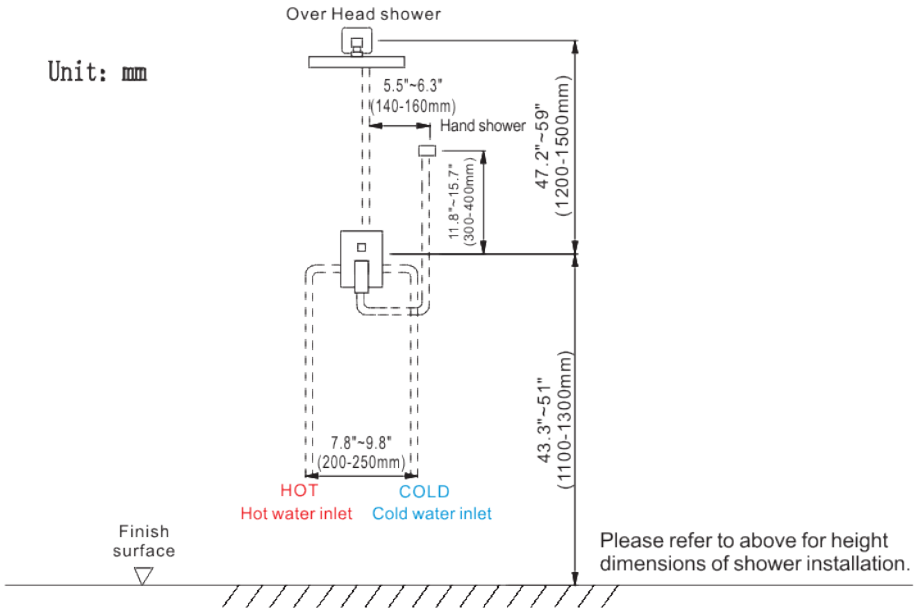


Model:6203

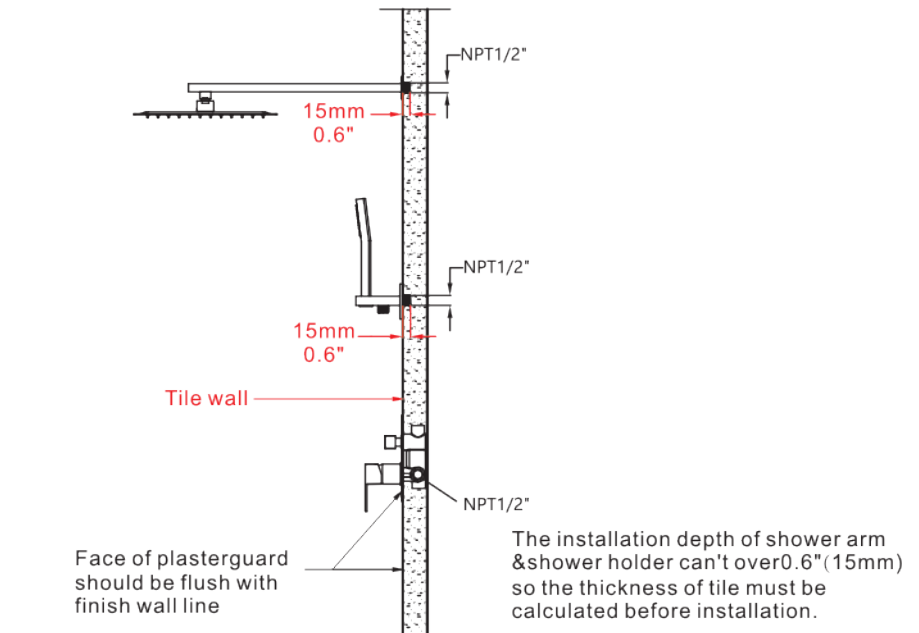


No.	Part name	Qty	No.	Part name	Qty
1	Shower head	1	11	Water diverter cup	1
2	Shower arm	1	12	Water diverter screw	1
3	Shower arm cup	1	13	Water diverter	1
4	Shower hand	1	14	Panel	1
5	Hand shower holder	1	15	Main body	1
6	Holder cup	1	16	Body box screw	4
7	Shower hose	1	17	Valve gasket spare parts	4
8	Handle	1	18	Wrench	1
9	Handle screw	1	19	Instruction manual	1
10	Handle cup	1	20	Gloves	2

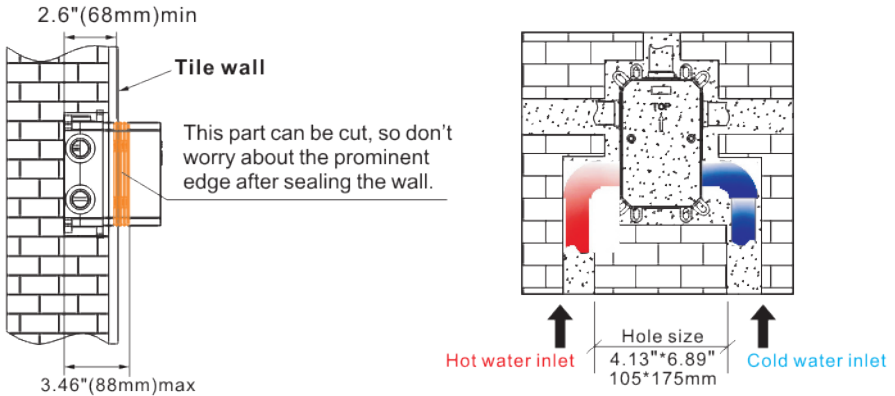
◆ **INSTALLATION SHOWER SET SIZE**



◆ **INSTALLATION DEPTH OF SHOWER ARM & SHOWER HOLDER**

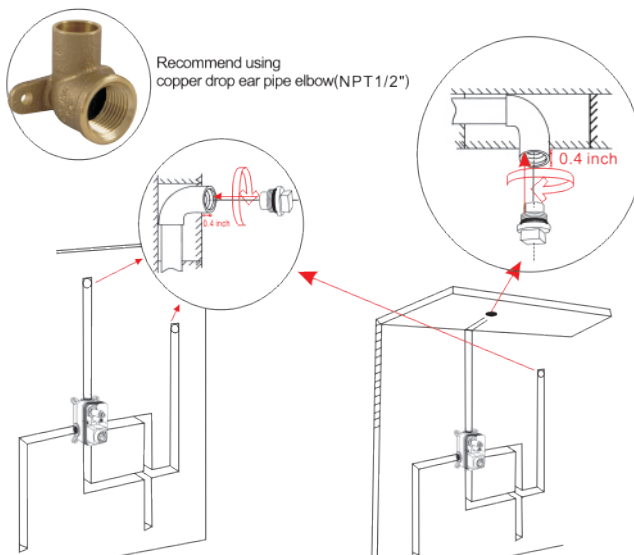


◆ INSTALLATION DEPTH OF MAIN BODY



- 1: Including the thickness of ceramic tile is less than or equal to the thickness of valve 3.46"(88mm), so the thickness of tile must be calculated before installation.
- 2: Installation Main body depth not less than 2.6"(68mm)min and not more than 3.46" (88mm) Max, Otherwise, the panel cannot be installed.

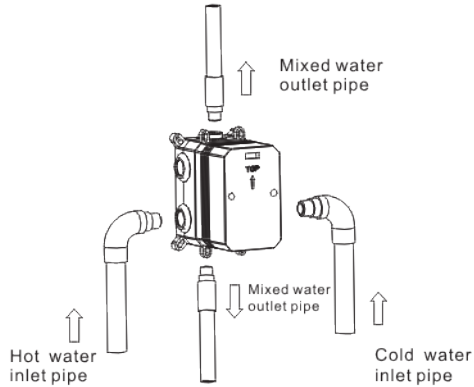
◆ WALL MOUNTED/CEILING MOUNTED INSTALLATION BEFORE TILONG



- 1:Recommend using Copper drop ear pipe elbow(NPT 1/2)

◆ MAIN BODY CONNECTING PIPE SCHEMATIC DIAGRAM

Step1

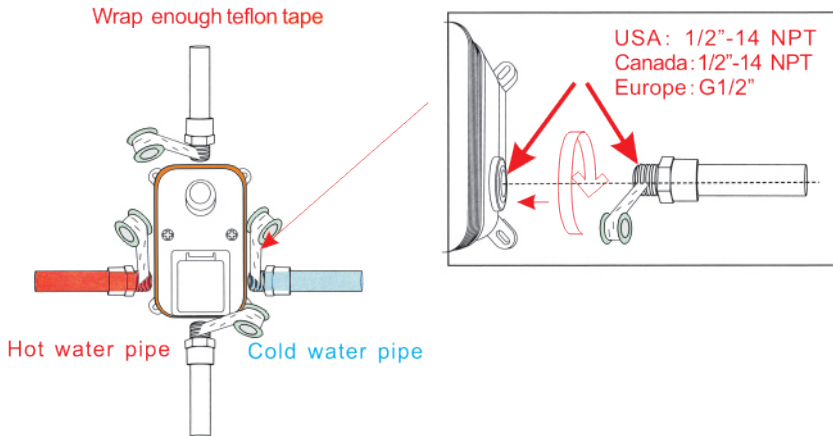


As shown in the figure, the inlet and outlet pipes are pre-buried, pay attention to the correct direction of installing the pre-buried box, and make sure that the mark TOP on the top of the installation box is facing upward.

Step2



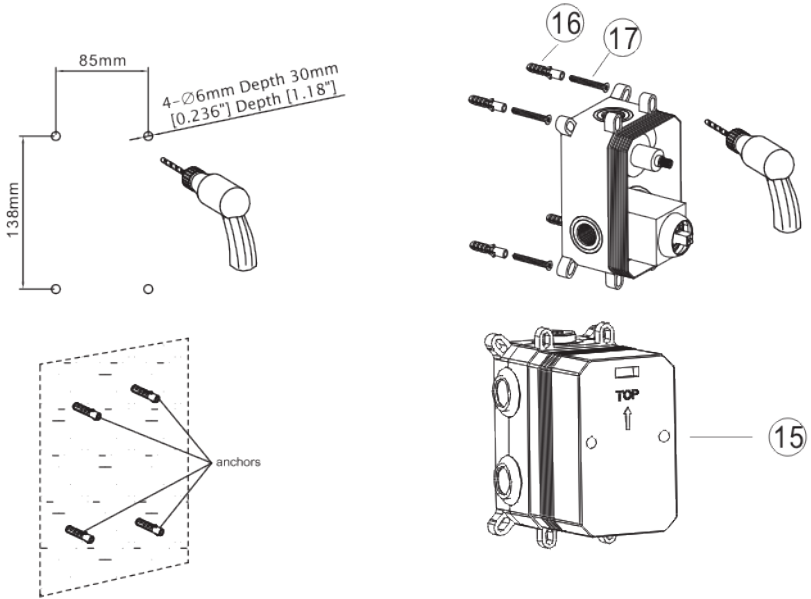
Warning: must install hot water and cold water inlet strictly as instructions.



Install the hot and cold water inlet pipes, Shower head and hand shower holder pipes. Turn on the water source to test whether the left and right inlet pipes are tightly connected without leakage. After the test, adjust the flow switch to be on to test whether the mixed outlet pipe. The connection is tight and there is no leakage.

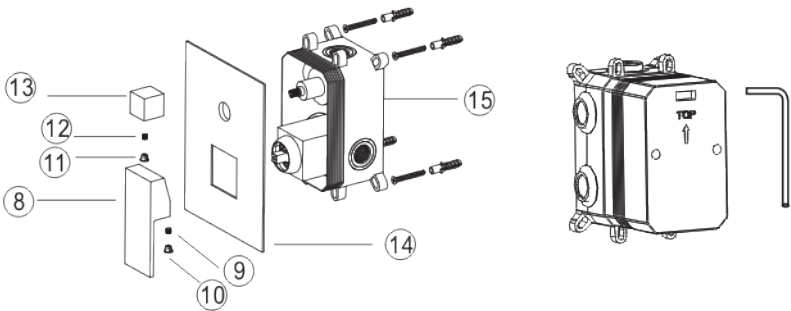
◆ MAIN BODY VALVE INSTALLATION

According to the size of installation to install the anchors to the wall, then use ⑯⑰ Valve gasket spare part then install the ⑮ Main body



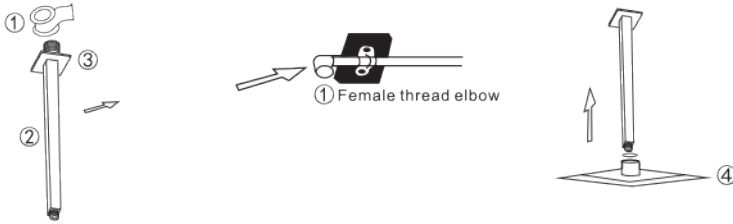
Please note that the level meter should be parallel, otherwise the panel cannot be installed. Pay attention to the length and width of the screw position before marking.

◆ MAIN BODY ASSEMBLY SCHEMATIC DIAGRAM

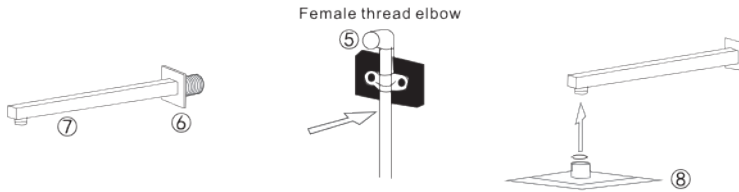


Please fix the ⑮ Main body to the wall then remove the plastic protective cover and install ⑭ Panel, ⑬ Water divider, ⑫ Screw, ⑪ Water divider cup in the order. Finally you could install ⑧ Handle, ⑨ Screw, ⑩ Handle cup.

◆ INSTALLATION OF RAIN SHOWER HEAD& SHOWER ARM

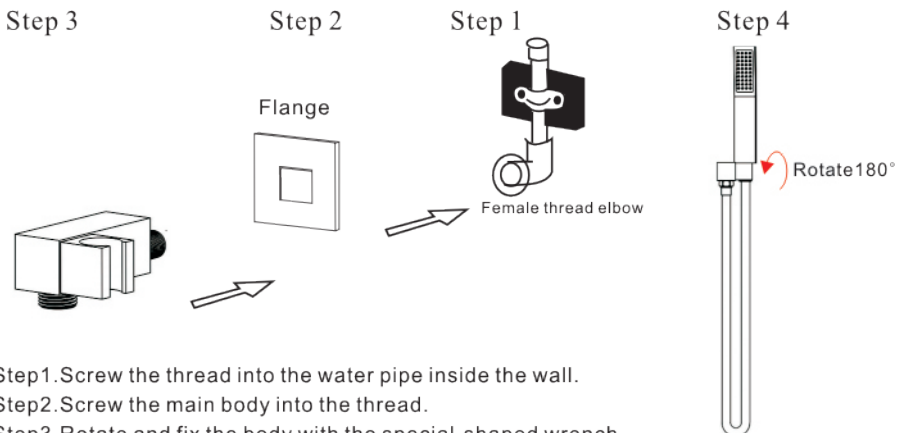


Connect top outlet ① to shower arm ② with proper fittings. To prevent damage, to finish on shower arm, insert wall end of shower arm into shower flange ③ before screwing arm into riser connection. Thread showerhead ④ onto shower arm. Apply tape to pipe threads on both ends. Do not overtighten showerhead. The showerhead is 360° swivel connection.



Connect top outlet ⑤ to shower arm ⑦ with proper fittings. To prevent damage, to finish on shower arm, insert wall end of shower arm into shower flange ⑥ before screwing arm into riser connection. Thread showerhead ⑧ onto shower arm. Apply tape to pipe threads on both ends. Do not overtighten showerhead. The showerhead is 360° swivel connection.

◆ SHOWER HOLDER INSTALLATION INSTALL THE HAND SHOWER HOLDER



- Step1. Screw the thread into the water pipe inside the wall.
- Step2. Screw the main body into the thread.
- Step3. Rotate and fix the body with the special-shaped wrench.
- Step4. Connect hand shower and the hose.

◆ CARE AND MAINTENANCE

In order to keep the mixer surface bright , please clean the mixer regularly.

Rinse faucet with clean water and wipe with soft cotton cloth.

Avoid using cleaning powder , harsh cleaning chemicals, brushes, and cloth with coarse surface to prevent scratching and corrosion.

Do not use acid cleaner to clean the faucet as it may cause surface corrosion of the faucet. If the faucet comes into contact with harmful acid substances, please rinse it with water immediately.



◆ IF A LARGE-SCALE CLEAN-UP IS NECESSARY, FOLLOW THESE PROCEDURES

1: Use clean water and soft cloth to remove dirt on the surface as much as possible.

2: Use one of the following cleaners to remove dirt on the surface

Mild liquid cleaner.

Colorless glass cleaner, powder cleaner which does not have abrasive function and can be dissolved completely.

Polish liquid which does not have abrasive function.

3: After cleaning, remove the cleansing agent with clean water completely and wipe with soft cotton cloth.

After-sales contact

Email: contactus24service@gmail.com

TEL: (303) 747-4321