

# Instruction Manual

## Rain Shower System



**Model: 6647**

**Model: 6668**

◆ INSTALLATION CONDITION



1.Refer to the 《Standard Part List》 when unpacking , check all parts available .

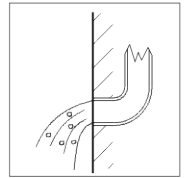
2.Do not disassemble mixer body by yourself.

3.Connect inlet hoses to supply valves.

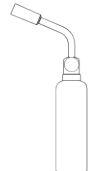
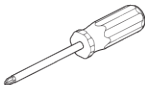
4.Make sure inlet pipes and supply valves have been installed and cleaned, also ensure no impurities in pipeline.

5.After installation , check all joints for leakages.

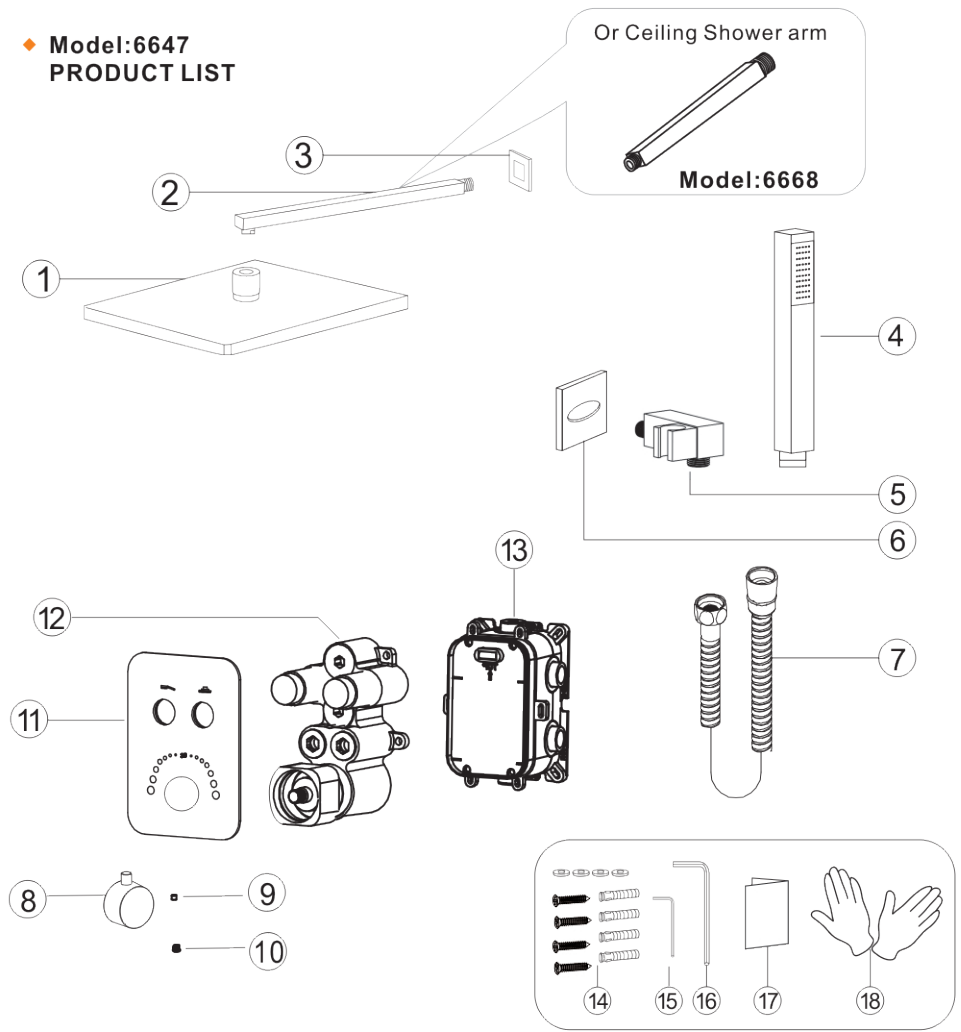
6.Suggest don't fit the faucet in the severely corrosive environments.



**YOU MAY NEED:**

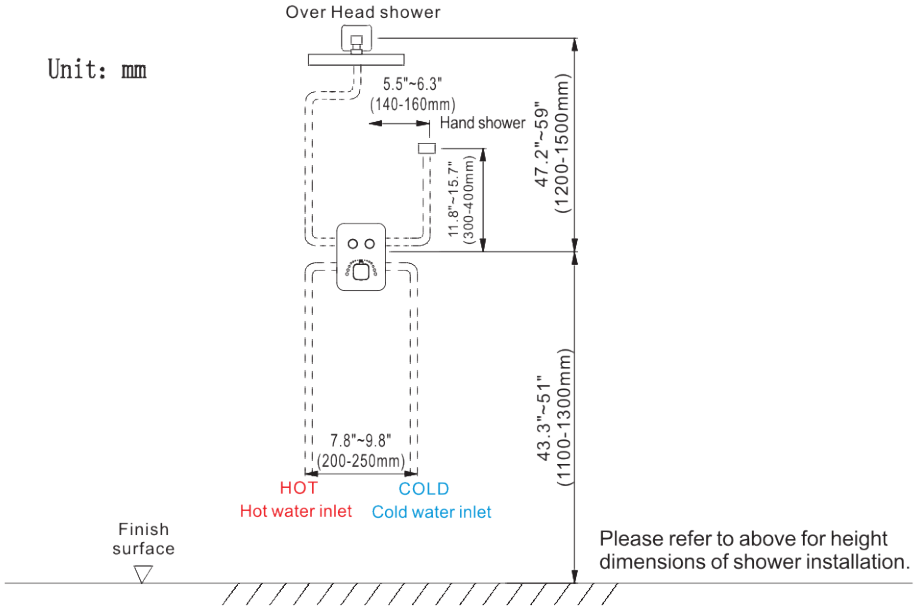


◆ Model:6647  
**PRODUCT LIST**

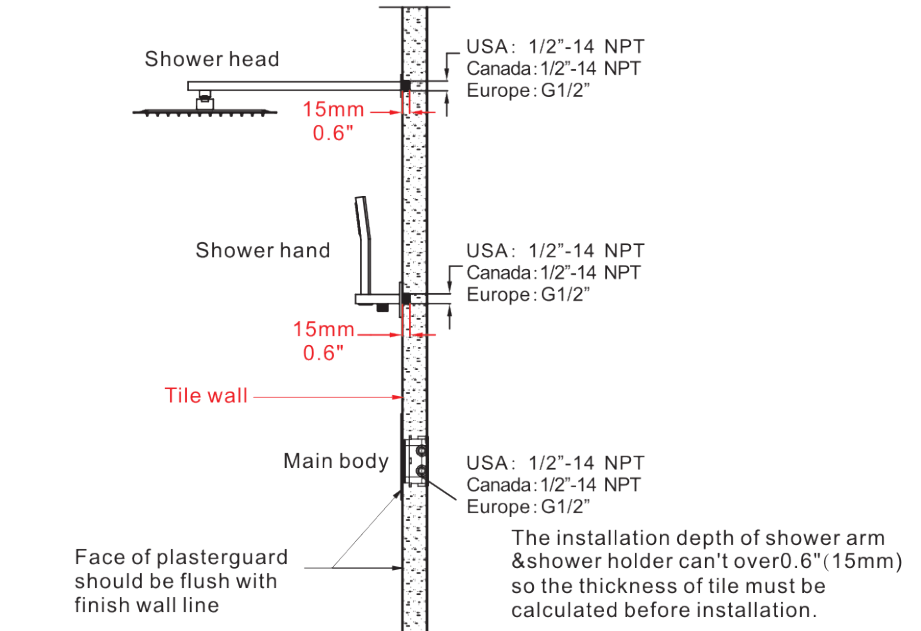


No.	Part name	Qty	No.	Part name	Qty
1	Shower head	1	11	Panel	1
2	Shower arm	1	12	Main body	1
3	Shower arm cup	1	13	Body box	1
4	Shower hand	1	14	Valve gasket spare parts	4
5	Hand shower holder	1	15	Handle Wrench	1
6	Holder cup	1	16	Main body wrench	1
7	Shower hose	1	17	Instruction manual	1
8	Handle	1	18	Gloves	2
9	Handle screw	1			
10	Handle cup	1			

◆ **INSTALLATION SHOWER SET SIZE & WATER PIPE LINE REFERENCE**

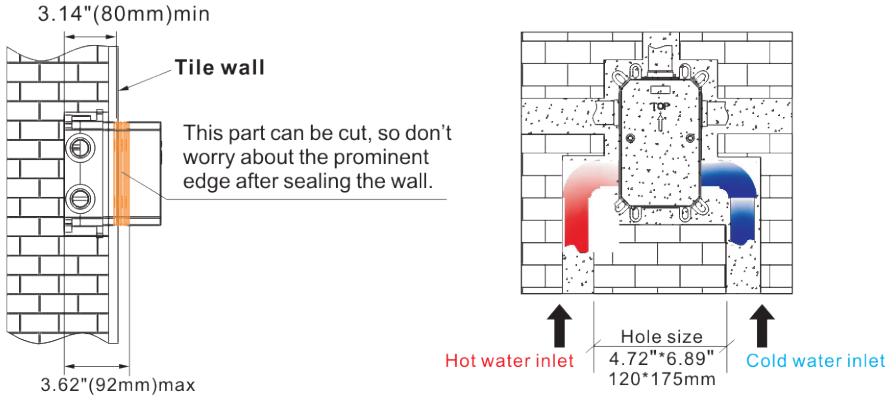


◆ **INSTALLATION DEPTH OF SHOWER ARM & SHOWER HOLDER**



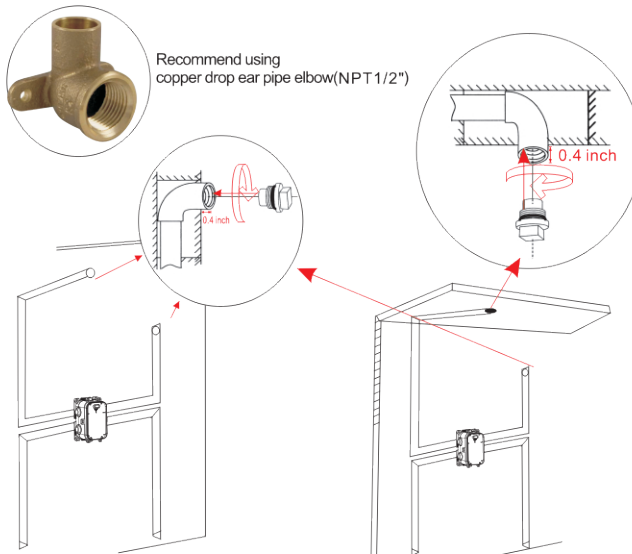
## ◆ INSTALLATION DEPTH OF MAIN BODY

Unit: mm



- 1: Including the thickness of ceramic tile is less than or equal to the thickness of valve 3.62"(92mm), so the thickness of tile must be calculated before installation.
- 2: Installation Main body depth not less than 3.14"(80mm)min and not more than 3.62" (92mm) Max, Otherwise, the panel cannot be installed.

## ◆ WALL MOUNTED/CEILING MOUNTED INSTALLATION BEFORE TILING

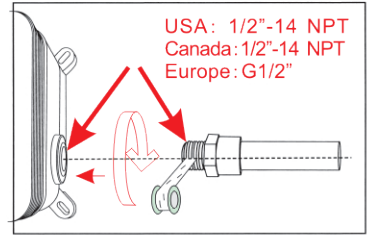
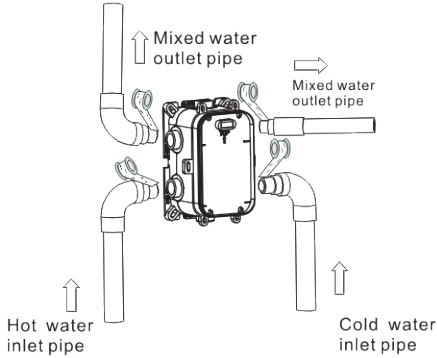


- 1: Recommend using Copper drop ear pipe elbow(NPT 1/2 )  
USA: 1/14 NPT 2 -Canada: 1/2"-14 NPT Europe: G1/2"

## ◆ MAIN BODY CONNECTING PIPE SCHEMATIC DIAGRAM

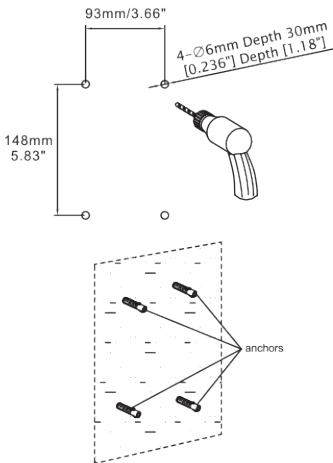


Warning: must install hot water and cold water inlet strictly as instructions.



1. As shown in the figure, the inlet and outlet pipes are pre-buried, pay attention to the correct direction of installing the pre-buried box, and make sure that the mark TOP on the top of the installation box is facing upward.
2. Install the hot and cold water inlet pipes, Shower head and hand shower holder pipes. Turn on the water source to test whether the left and right inlet pipes are tightly connected without leakage. After the test, adjust the flow switch to be on to test whether the mixed outlet pipe. The connection is tight and there is no leakage.

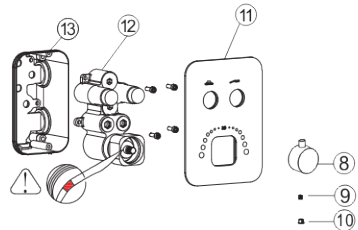
## ◆ MAIN BODY VALVE INSTALLATION



Confirm the location of the embedded box and the pipes, Then mark them.

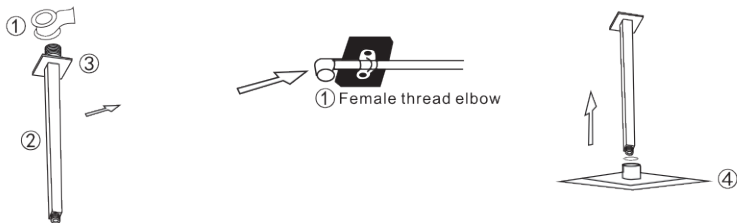


As shown in the diagram, install the cover with the level meter, make sure the cover is horizontal.

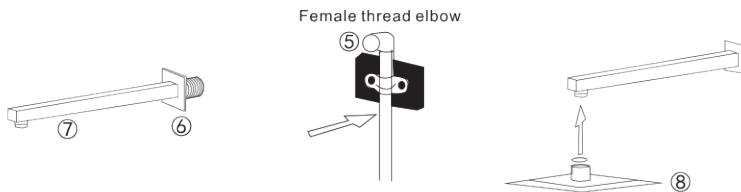


Take off the plastic cover of the embedded box<sup>⑬</sup> with a screw driver, fix the shower valve<sup>⑫</sup> on the embedded box<sup>⑬</sup> with screw, install the panel<sup>⑪</sup> and handle<sup>⑧</sup>, install the valve screw<sup>⑨</sup> into the handle, and finally install the handle cap<sup>⑩</sup>.

## ◆ INSTALLATION OF RAIN SHOWER HEAD& SHOWER ARM



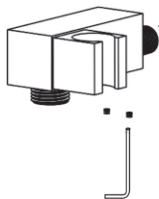
Connect top outlet ① to shower arm ② with proper fittings. To prevent damage, to finish on shower arm, insert wall end of shower arm into shower flange ③ before screwing arm into riser connection. Thread showerhead ④ onto shower arm. Apply tape to pipe threads on both ends. Do not overtighten showerhead. The showerhead is 360° swivel connection.



Connect top outlet ⑤ to shower arm ⑦ with proper fittings. To prevent damage, to finish on shower arm, insert wall end of shower arm into shower flange ⑥ before screwing arm into riser connection. Thread showerhead ⑧ onto shower arm. Apply tape to pipe threads on both ends. Do not overtighten showerhead. The showerhead is 360° swivel connection.

## ◆ INSTALL THE HAND SHOWER HOLDER

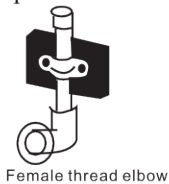
Step 3



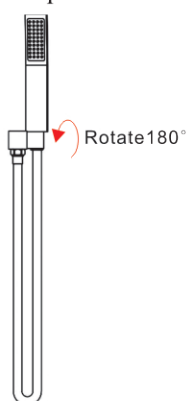
Step 2



Step 1



Step 4



Step1.Screw the thread into the water pipe inside the wall.  
 Step2.Screw the main body into the thread.  
 Step3.Rotate and fix the body with the special-shaped wrench.  
 Step4.Connect hand shower and the hose.

## ◆ CARE AND MAINTENANCE

In order to keep the mixer surface bright , please clean the mixer regularly.

Rinse faucet with clean water and wipe with soft cotton cloth.

Avoid using cleaning powder , harsh cleaning chemicals, brushes, and cloth with coarse surface to prevent scratching and corrosion.

Do not use acid cleaner to clean the faucet as it may cause surface corrosion of the faucet. If the faucet comes into contact with harmful acid substances, please rinse it with water immediately.



---

## ◆ IF A LARGE-SCALE CLEAN-UP IS NECESSARY, FOLLOW THESE PROCEDURES

1: Use clean water and soft cloth to remove dirt on the surface as much as possible.

2: Use one of the following cleaners to remove dirt on the surface

Mild liquid cleaner.

Colorless glass cleaner, powder cleaner which does not have abrasive function and can be dissolved completely.

Polish liquid which does not have abrasive function.

3: After cleaning, remove the cleansing agent with clean water completely and wipe with soft cotton cloth.

After-sales contact

Email: [contactus24service@gmail.com](mailto:contactus24service@gmail.com)

TEL: (303) 747-4321