

Instruction Manual

Rain Shower System

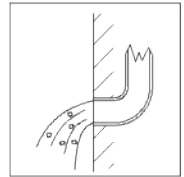


Model : 6648

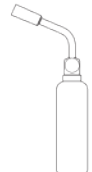
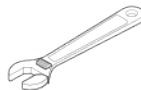
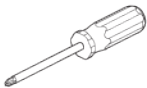
◆ INSTALLATION CONDITION



1. Refer to the 《Standard Part List》 when unpacking , check all parts available .
2. Do not disassemble mixer body by yourself.
3. Connect inlet hoses to supply valves.
4. Make sure inlet pipes and supply valves have been installed and cleaned, also ensure no impurities in pipeline.
5. After installation , check all joints for leakages.
6. Suggest don't fit the faucet in the severely corrosive environments.

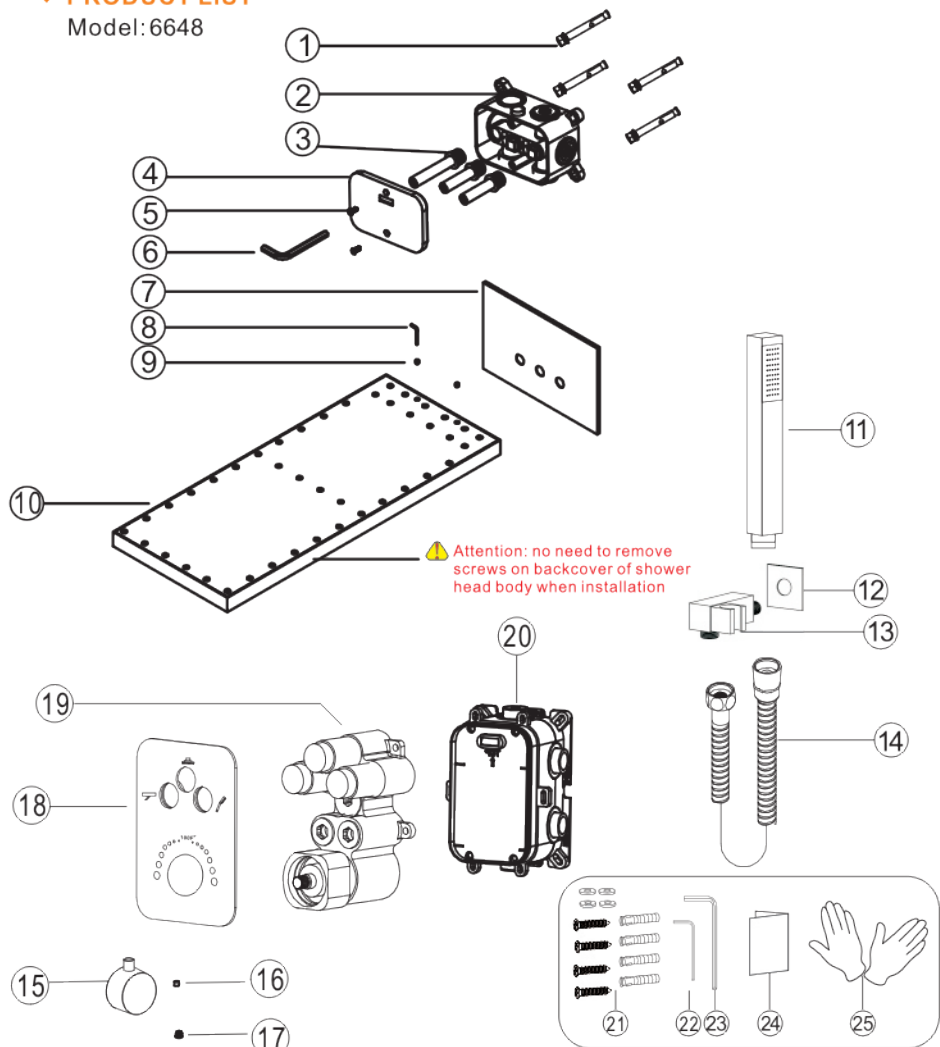


YOU MAY NEED:



◆ PRODUCT LIST

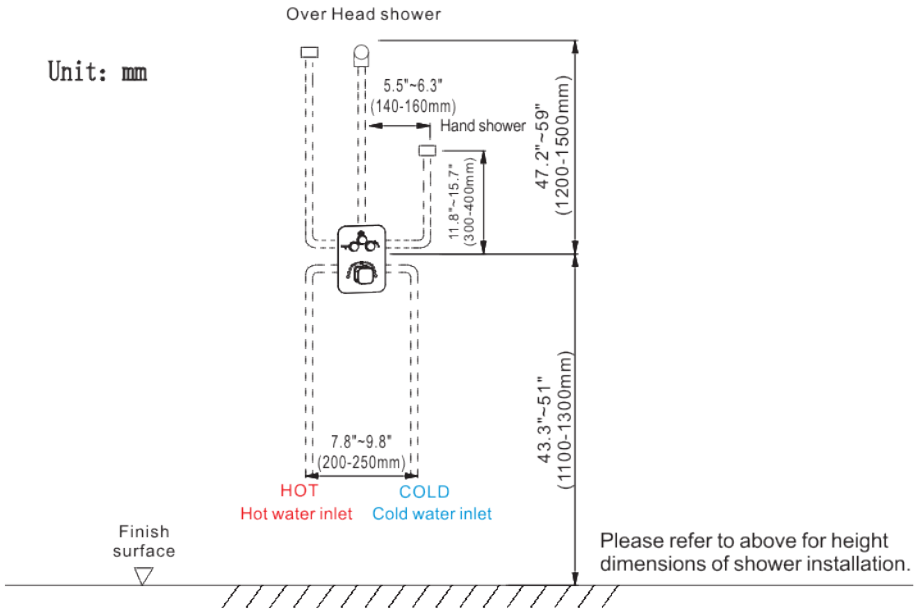
Model: 6648



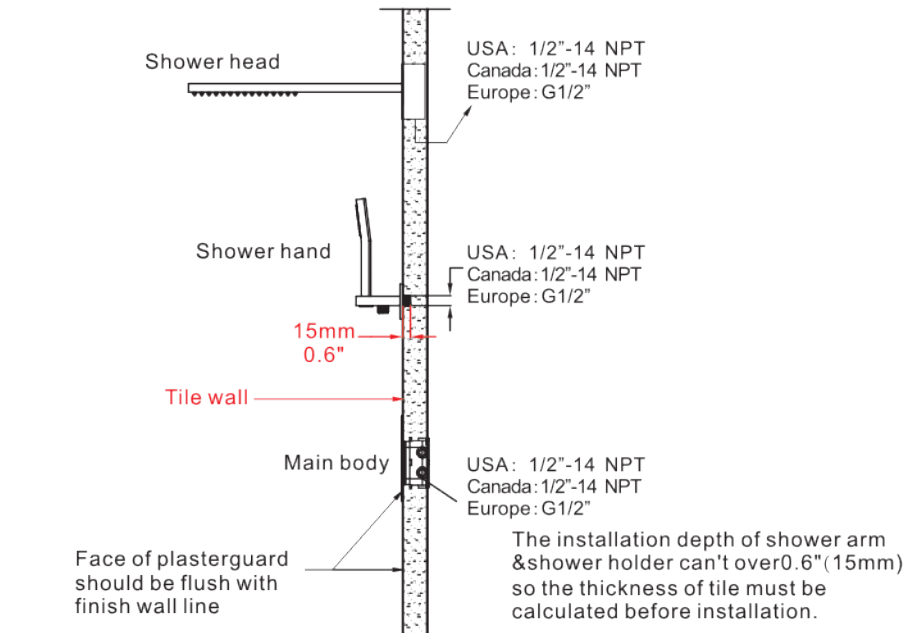
⚠ Attention: no need to remove screws on backcover of shower head body when installation

No.	Part name	Qty	No.	Part name	Qty	No.	Part name	Qty
1	Expansion screws	4	10	Shower head body	1	19	Main body	1
2	Inwall box	1	11	Shower hand	1	20	Body box	1
3	Water inlet	3	12	Holder cup	1	21	Valve gasket spare parts	1
4	Cover	1	13	Hand shower holder	1	22	Handle Wrench	1
5	Screw	2	14	Shower hose	1	23	Main body wrench	1
6	S8 Allen key	1	15	Handle	4	24	Instruction manual	1
7	Flange	1	16	Handle screw	4	25	Gloves	1
8	Allen key 2.5	1	17	Handle cup	1			
9	M4 screw	2	18	Panel	1			

◆ **INSTALLATION SHOWER SET SIZE & WATER PIPE LINE REFERENCE**



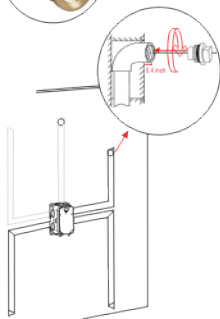
◆ **INSTALLATION DEPTH OF SHOWER ARM & SHOWER HOLDER**



◆ **WALL MOUNTED/CEILING MOUNTED INSTALLATION BEFORE TILING**

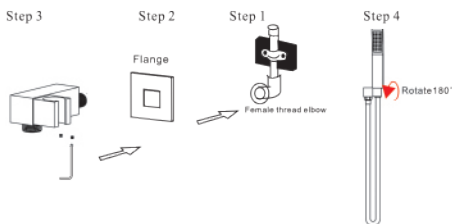


Recommend using copper drop ear pipe elbow(NPT 1/2")



1:Recommend using Copper drop ear pipe elbow(NPT 1/2)
 USA:1/14 NPT 2 -Canada:1/2"-14 NPT
 Europe:G1/2"

◆ **SHOWER HOLDER INSTALLATION INSTALL THE HAND SHOW HOLDER**

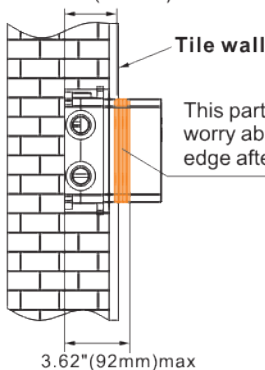


Step1.Screw the thread into the water pipe inside the wall.
 Step2.Screw the main body into the thread.
 Step3.Rotate and fix the body with the special-shaped wrench.
 Step4.Connect hand shower and the hose.

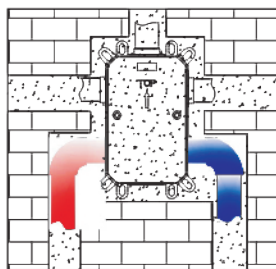
◆ **INSTALLATION DEPTH OF MAIN BODY**

Unit: mm

3.14"(80mm)min



This part can be cut, so don't worry about the prominent edge after sealing the wall.



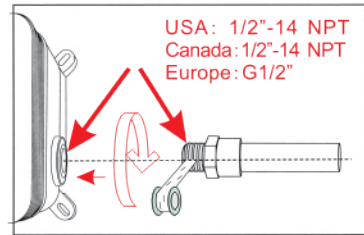
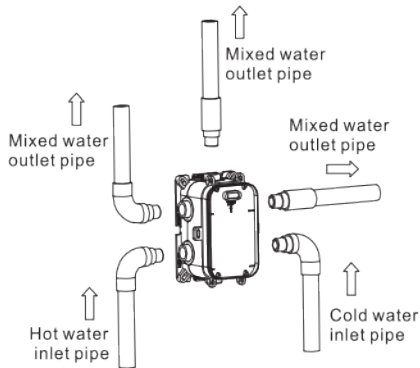
Hot water inlet ↑ Hole size 4.72"*6.89"
 120*175mm ↑ Cold water inlet

- 1: Including the thickness of ceramic tile is less than or equal to the thickness of valve 3.62" (92mm), so the thickness of tile must be calculated before installation.
- 2: Installation Main body depth not less than 3.14"(80mm)min and not more than 3.62" (92mm) Max, Otherwise, the panel cannot be installed.

◆ MAIN BODY CONNECTING PIPE SCHEMATIC DIAGRAM

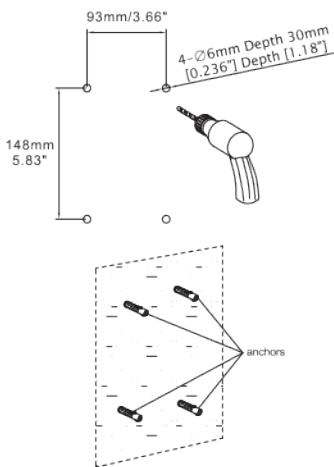


Warning: must install hot water and cold water inlet strictly as instructions.



1. As shown in the figure, the inlet and outlet pipes are pre-buried, pay attention to the correct direction of installing the pre-buried box, and make sure that the mark TOP on the top of the installation box is facing upward.
2. Install the hot and cold water inlet pipes, Shower head and hand shower holder pipes. Turn on the water source to test whether the left and right inlet pipes are tightly connected without leakage. After the test, adjust the flow switch to be on to test whether the mixed outlet pipe. The connection is tight and there is no leakage.

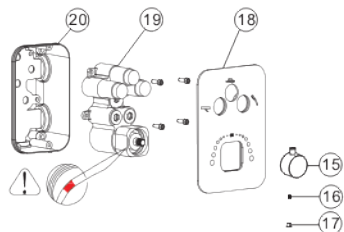
◆ MAIN BODY VALVE INSTALLATION



Confirm the location of the embedded box and the pipes, Then mark them.



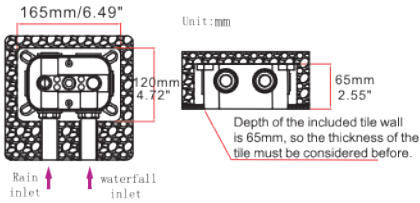
As shown in the diagram, install the cover with the level meter, make sure the cover is horizontal.



Take off the plastic cover of the embedded box ⑳ with a screw driver, fix the shower valve ⑑ on the embedded box ⑳ with screw ⑮, install the panel ⑱ and handle ⑲, install the valve screw ⑯ into the handle, and finally install the handle cap ⑰.

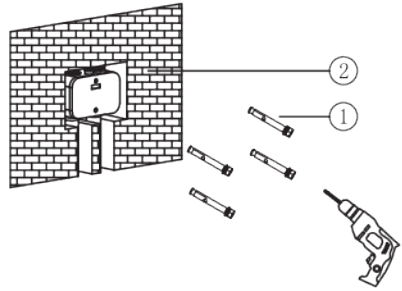
◆ MODEL:M6630 22IN SHOWER HEAD INSTALLATION

1. Digging wall according to following size, and connect rain and waterfall inlet correctly

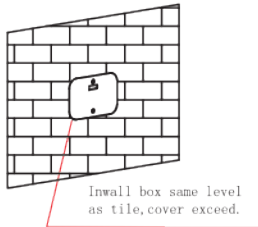


⚠ If the Inwall box is embedded too deep, the shower head will not be installed properly and it will cause water leakage and sag problems. Please pay special attention to the installation depth.

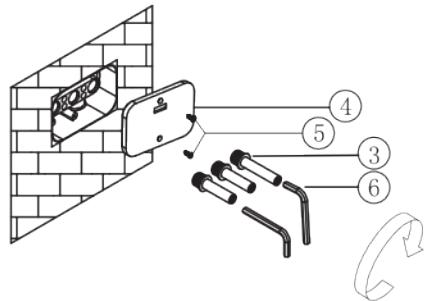
2. Lock Inwall box refer to level meter guarantee horizontal level and test leaking for 24 hours.



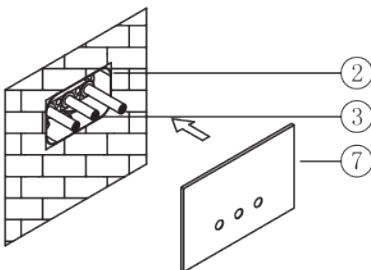
3. Remain inwall box in same level as wall after seal the tile and cover exceed wall.



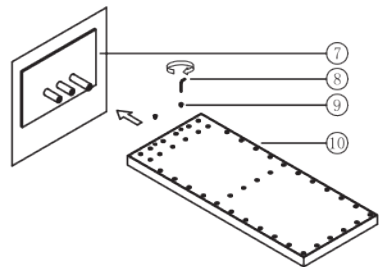
4. Install Shower head body. First remove box cover and plug, screw three water inlets into inwall box with S8 Allen Key. Longest role is support.



5. Install Flange as picture. Caution: do setp 4-5-6 to test horizontal and vertical position of shower head before wall seal to avoid any trouble of repair after wall seal.



6. Push shower head body into according water inlets, and tighten shower body by M4 screw with Allen key 2.5.



◆ CARE AND MAINTENANCE

In order to keep the mixer surface bright , please clean the mixer regularly.

Rinse faucet with clean water and wipe with soft cotton cloth.

Avoid using cleaning powder , harsh cleaning chemicals, brushes, and cloth with coarse surface to prevent scratching and corrosion.

Do not use acid cleaner to clean the faucet as it may cause surface corrosion of the faucet. If the faucet comes into contact with harmful acid substances, please rinse it with water immediately.



◆ IF A LARGE-SCALE CLEAN-UP IS NECESSARY, FOLLOW THESE PROCEDURES

1: Use clean water and soft cloth to remove dirt on the surface as much as possible.

2: Use one of the following cleaners to remove dirt on the surface

Mild liquid cleaner.

Colorless glass cleaner, powder cleaner which does not have abrasive function and can be dissolved completely.

Polish liquid which does not have abrasive function.

3: After cleaning, remove the cleansing agent with clean water completely and wipe with soft cotton cloth.

After-sales contact

Email: contactus24service@gmail.com

TEL: (303) 747-4321