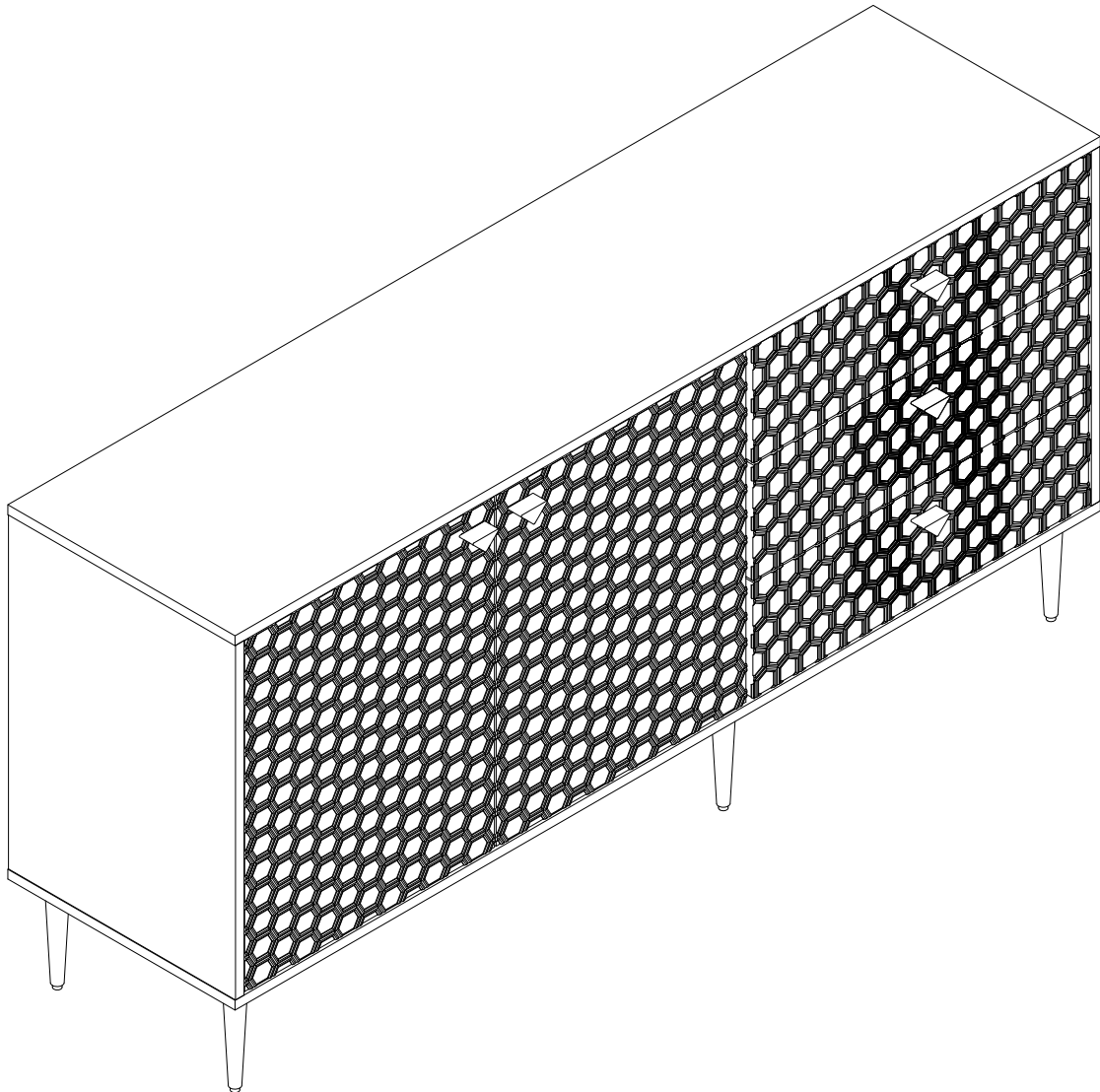


ASSEMBLY INSTRUCTIONS

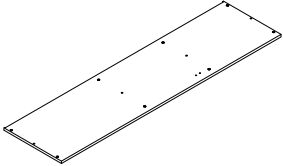
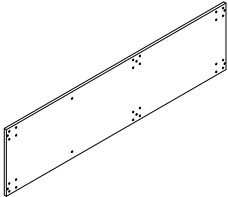
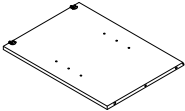
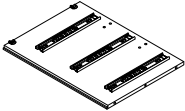
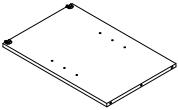
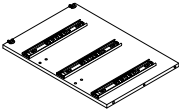
1. Before installation, please read the Assembly Instruction carefully.
2. Please check whether the Parts and Hardware are consistent with the list.
3. It is normal for the sealed environment to smell, not a product quality problem.



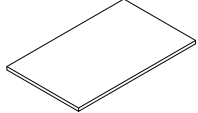
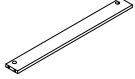
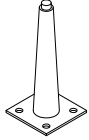
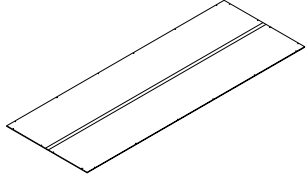
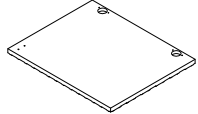
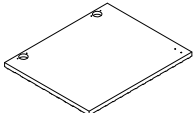
Phone number: (833) 998-6986
service@boyelliving.com
Web: www.boyelliving.com

ASSEMBLY INSTRUCTIONS

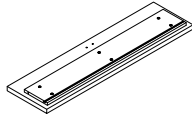
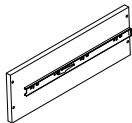
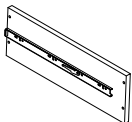
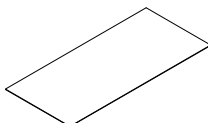

Part List:

ITEM	DESCRIPTION	PART	QTY
1	Top panel		1
2	Bottom panel		1
3	Left side panel		1
4	Right side panel		1
5	Left Partition Panel		1
6	Right Partition Panel		1

Part List:



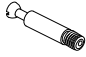





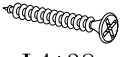
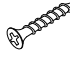
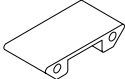
ITEM	DESCRIPTION	PART	QTY
7	Adjustable shelf		2
8	Cross rail		2
9	Leg		6
10	Back panel		1
11	Left door		1
12	Right door		1

Part List:

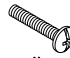


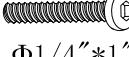

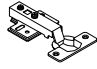
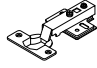
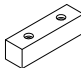

ITEM	DESCRIPTION	PART	QTY
13	Drawer front		3
14	Drawer Left Side		3
15	Drawer Right Side		3
16	Side Upper Drawer bottom		3
17	Side Upper Drawer back		3

ASSEMBLY INSTRUCTION

Hardware List:

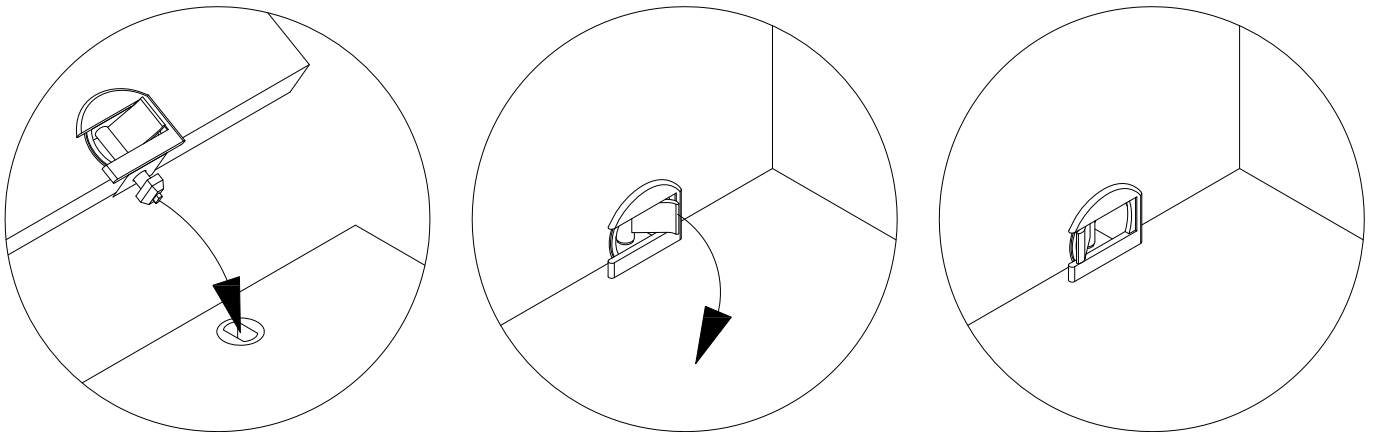
ITEM	DESCRIPTION	PART	QTY
A	Wooden dowel	 Φ8*30mm	12
B	Flat Head screw	 Φ3*16mm	24
C	Cam Bolt		4
D	Cam Lock		4
E	Allen wrench		1
F	Round head screw	 Φ3*16mm	20
G	Safety wall strap		2
H	Plastic anchor		2
I	Mounting screw	 Φ4*38mm	2
J	Flat Head screw	 Φ4*30mm	24
K	Handle		5

Hardware List:

ITEM	DESCRIPTION	PART	QTY
L	Bolt	 Φ5/32"*1-1/8"	10
M	Washer		4
N	Short Bolt	 Φ1/4"*1/2"	24
O	Long Bolt	 Φ1/4"*1"	8
P	Shelf holder		8
Q	Hinge		2
R	Hinge		2
S	Wooden		1
T	Flat Head screw	 Φ4*19mm	2

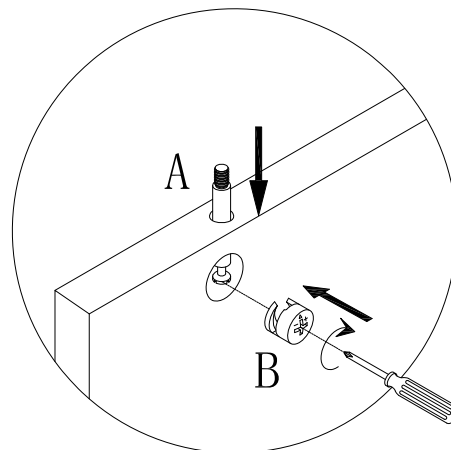
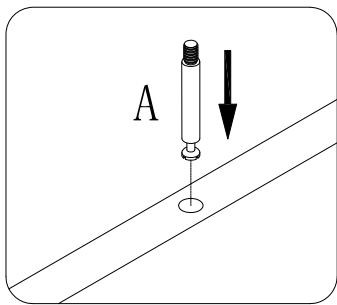
- * Required screwdriver & mallet, not included.
- * Before discarding packing materials, please check to make sure that all parts and hardware is present.
- * Two people needed for assembly.
- * Please follow the instructions closely; do not over tighten screws or bolts unless instructed.
- * After a few days from initial assembly, the product may have acclimated to the new environment. Please retighten the hardware.

Guideline For Assembling of Plastic Lock



- * Required screwdriver & mallet, not included.
- * Before discarding packing materials, please check to make sure that all parts and hardware is present.
- * Two people needed for assembly.
- * Please follow the instructions closely; do not over tighten screws or bolts unless instructed.
- * After a few days from initial assembly, the product may have acclimated to the new environment. Please retighten the hardware.

Guideline For Assembling of Cam Lock(A & B)






Screw camlock bolt (A) to wood part.

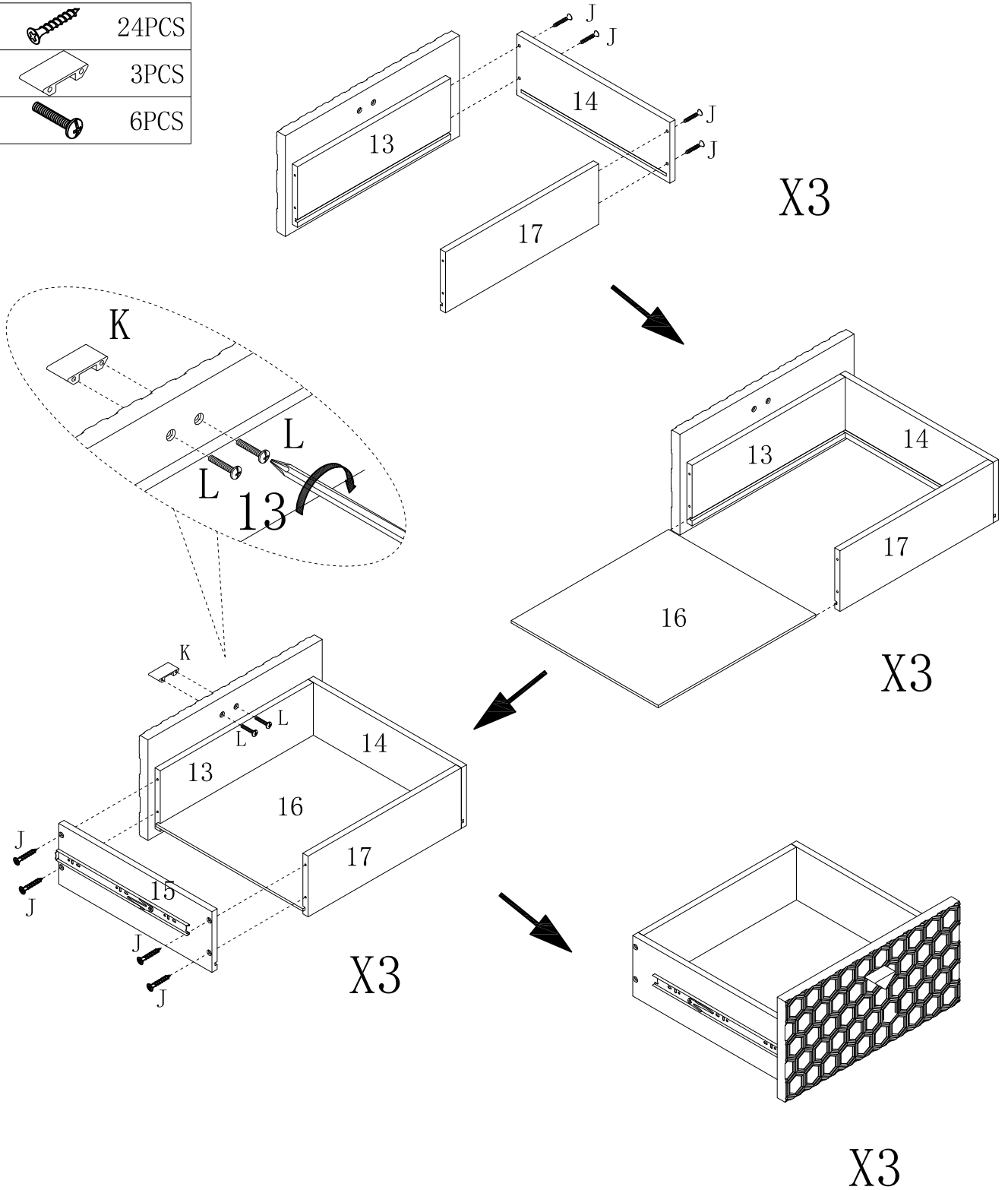
Do not assemble camlock (B) unless instructed.

To assemble camlock (B), ensure long side of the + is facing the bolt (A) before inserting into hole.

ASSEMBLY INSTRUCTION

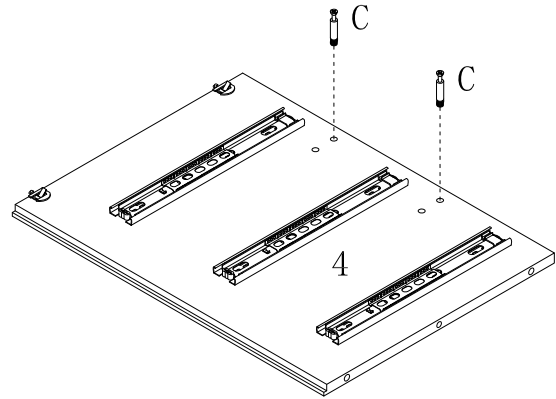
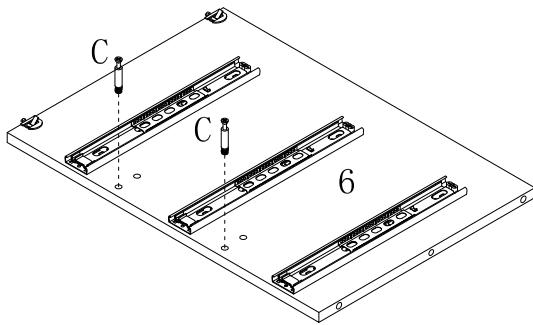
STEP 1

J:		24PCS
K:		3PCS
L:		6PCS



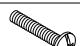
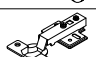
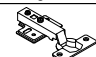


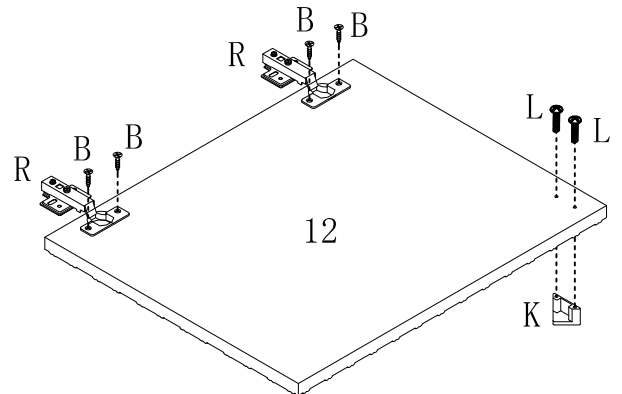
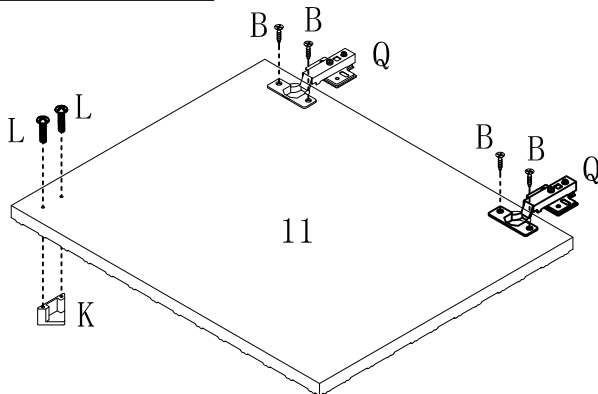
STEP 2

C:  4PCS





STEP 3

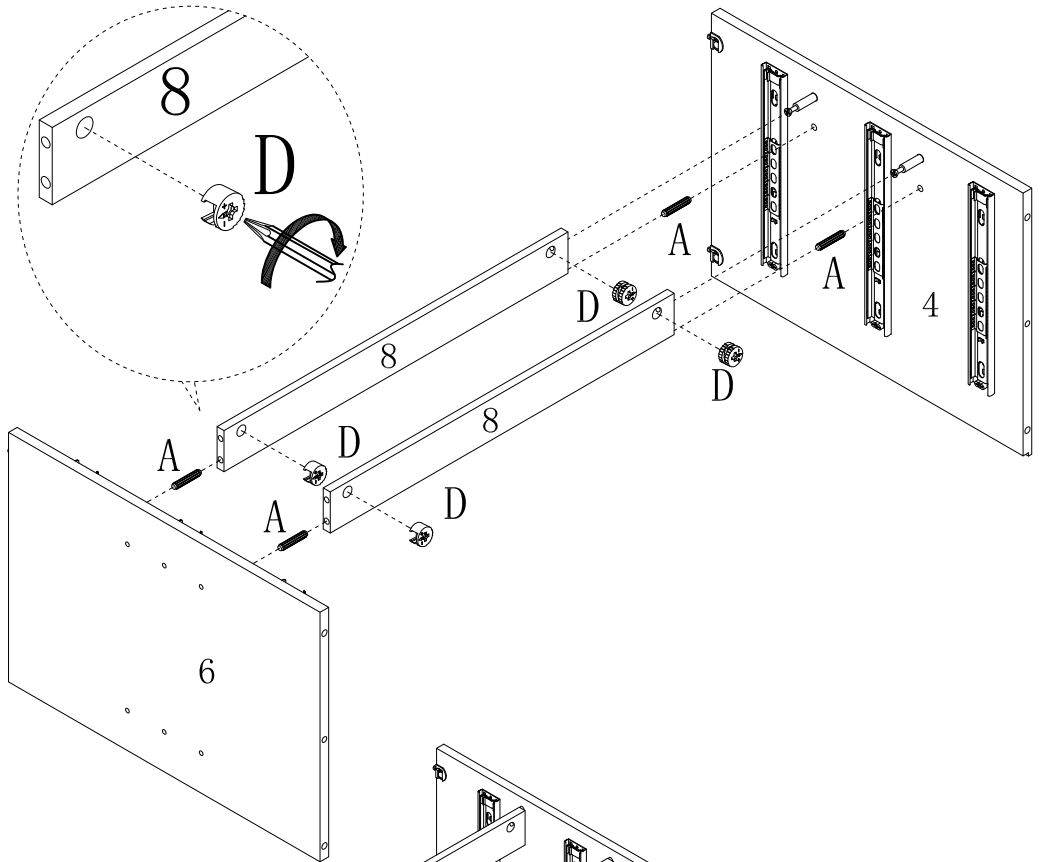
- | | | |
|----|---|------|
| B: |  | 8PCS |
| K: |  | 2PCS |
| L: |  | 4PCS |
| Q: |  | 2PCS |
| R: |  | 2PCS |




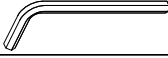

ASSEMBLY INSTRUCTION

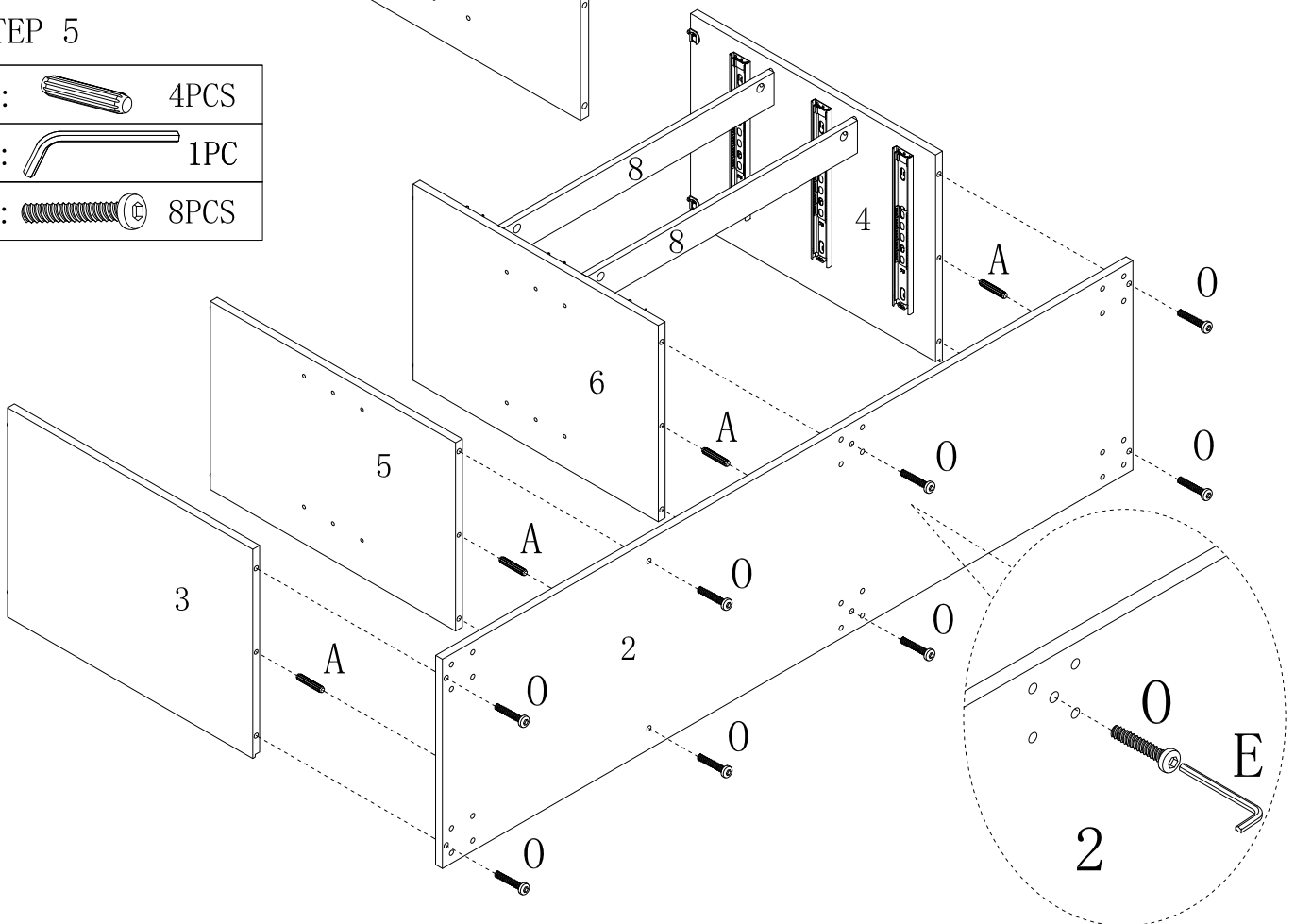
STEP 4

A:		4PCS
D:		4PCS





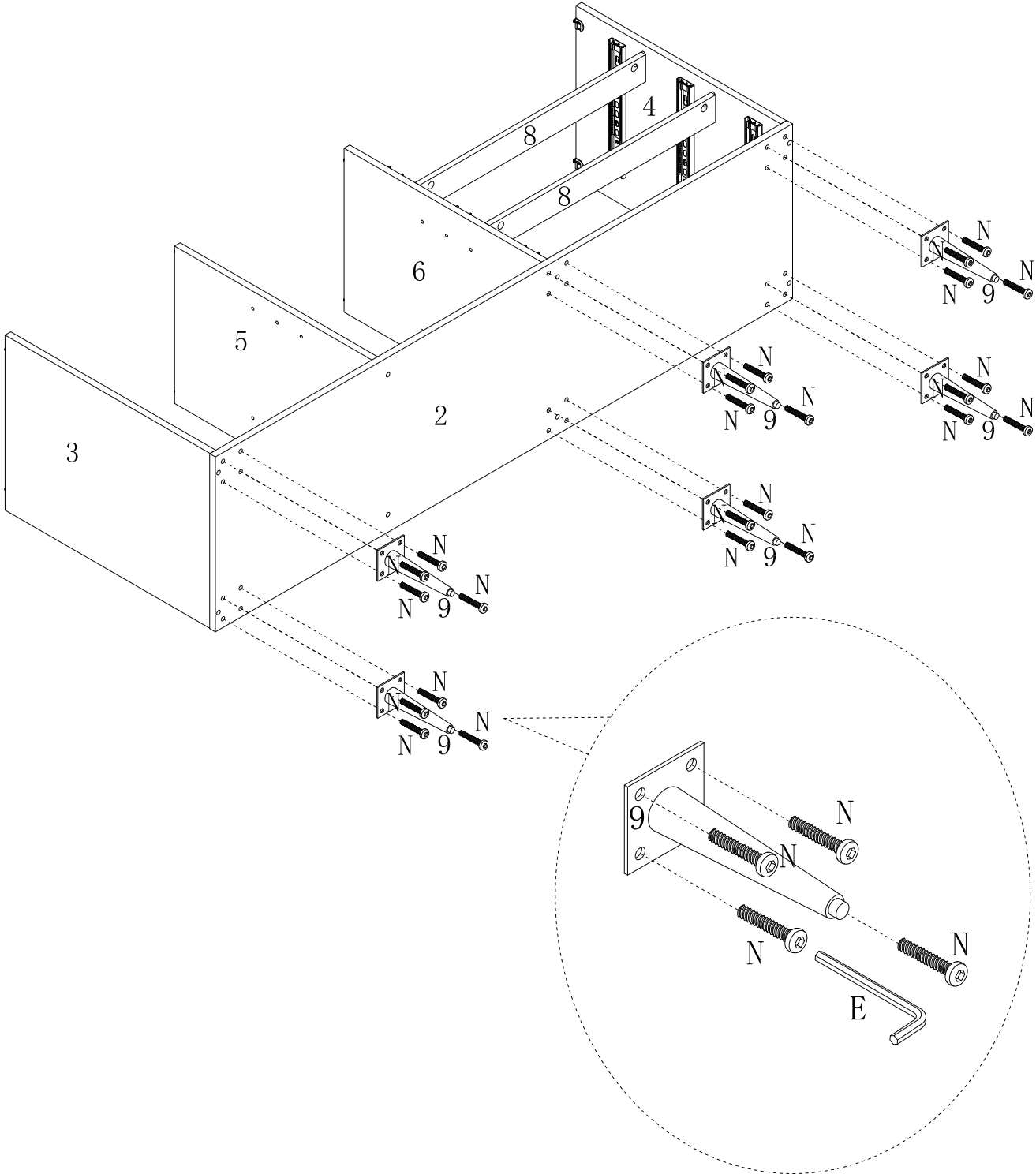
STEP 5

A:		4PCS
E:		1PC
O:		8PCS



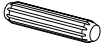
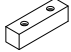

STEP 6

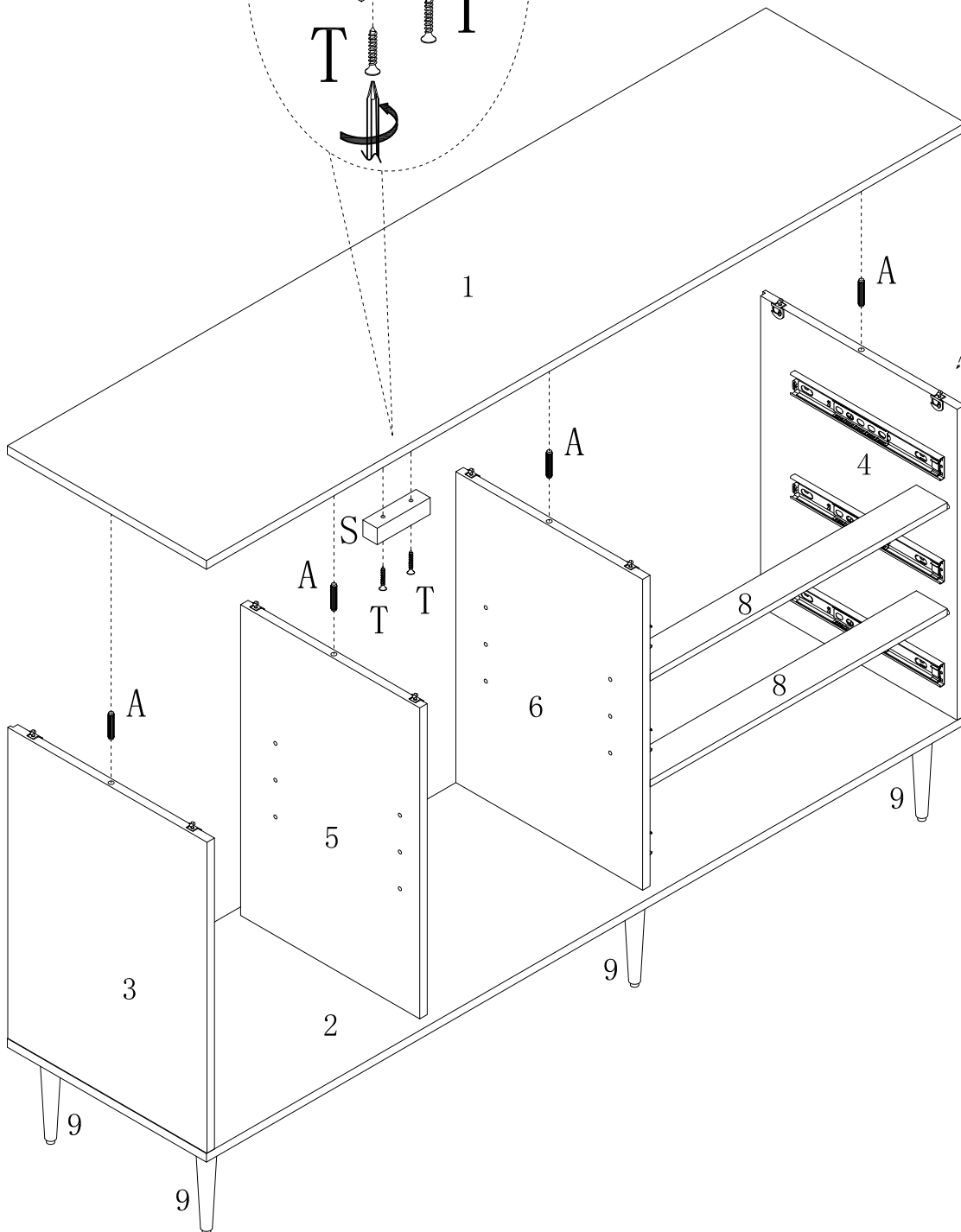
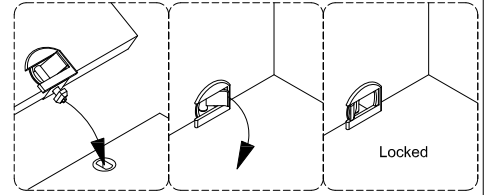
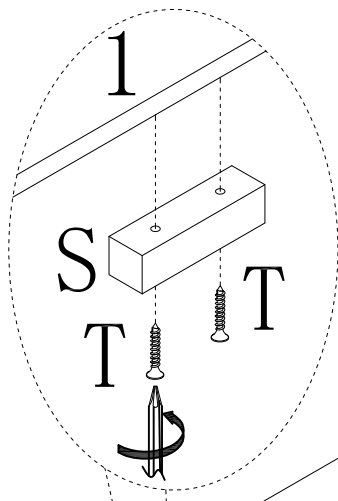
- E:  1PC
- N:  24PCS



ASSEMBLY INSTRUCTION


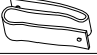

STEP 7

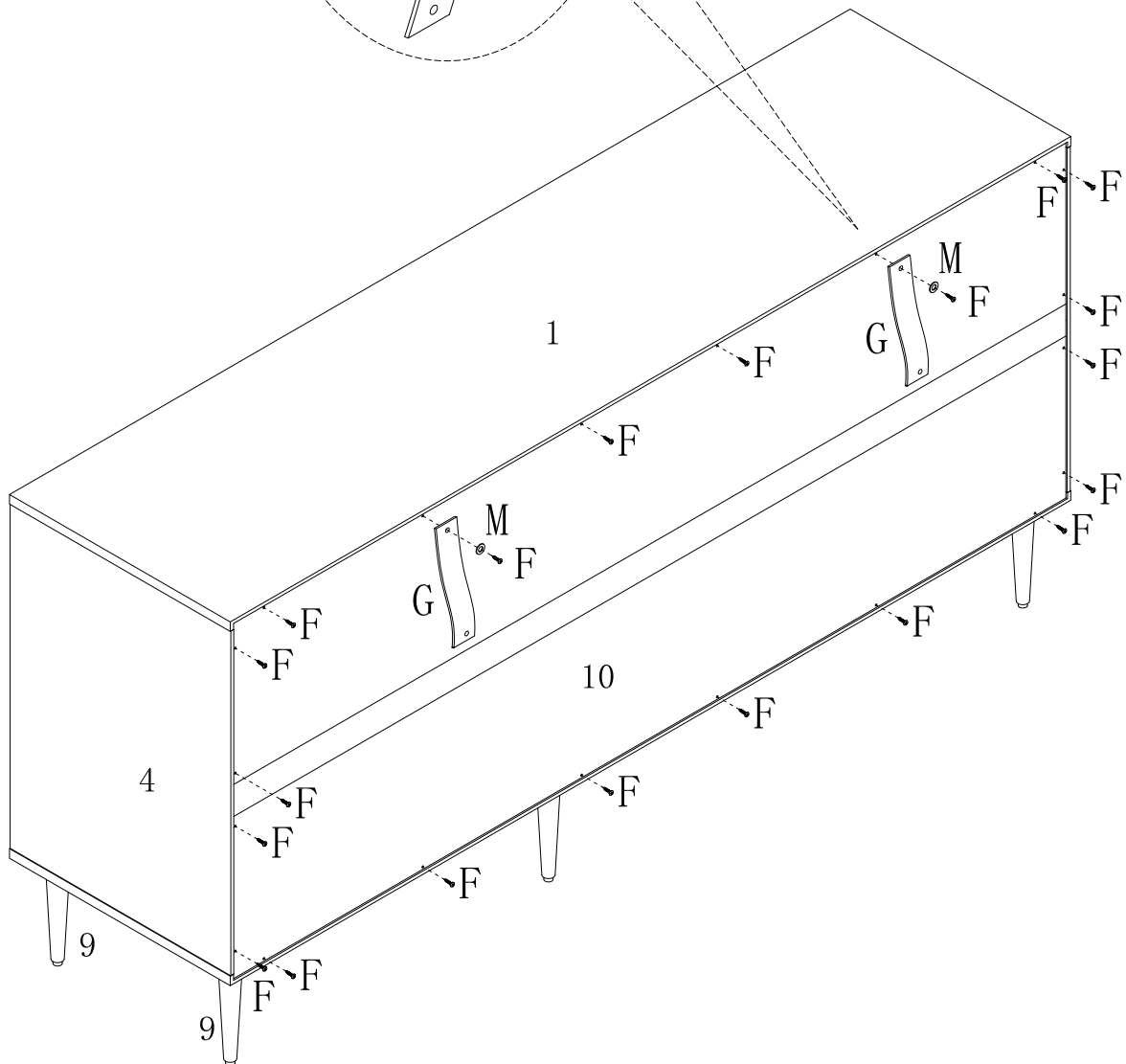
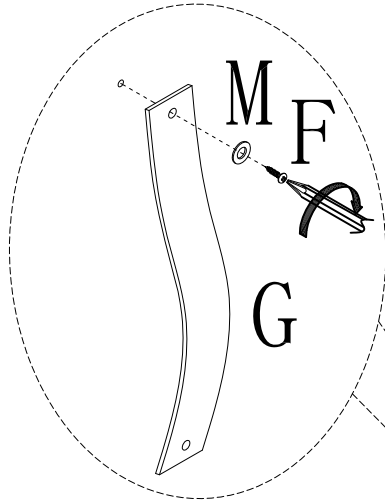
A:		4PCS
S:		1PC
T:		2PCS



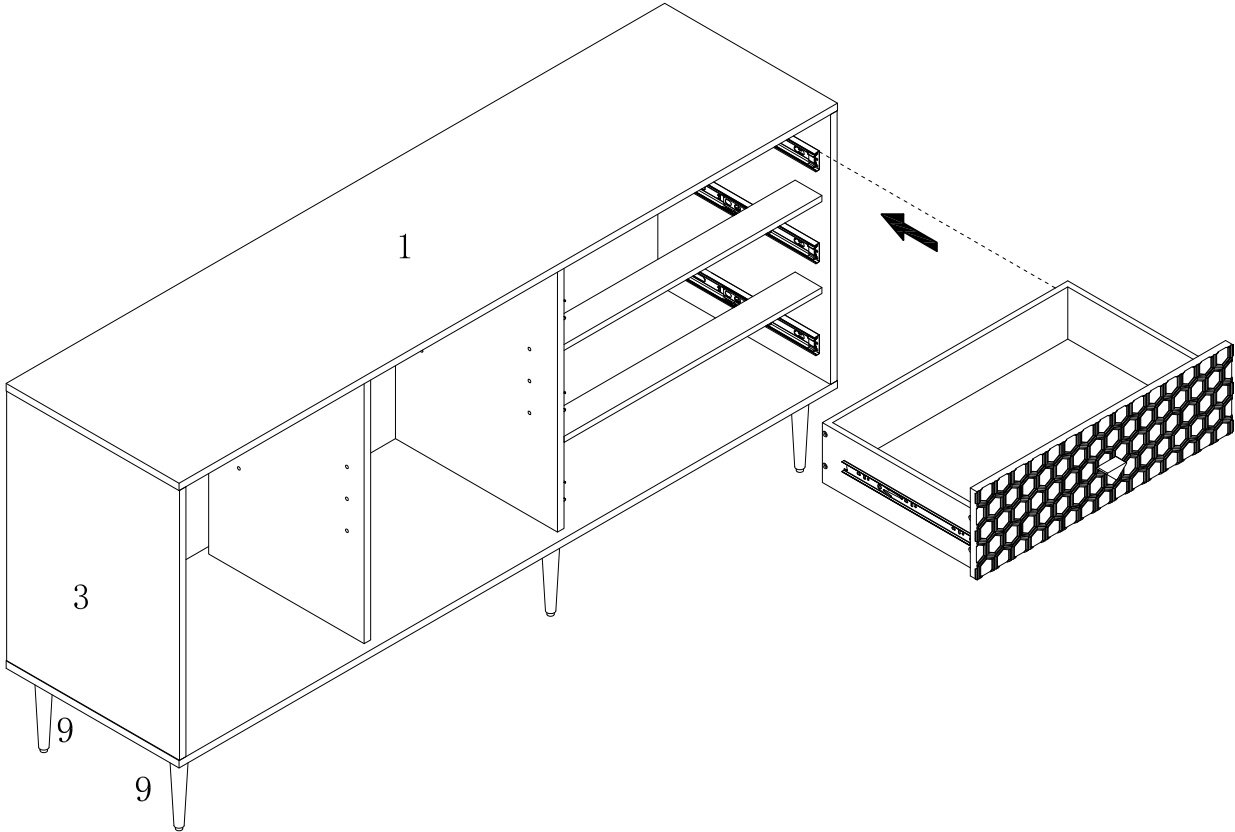
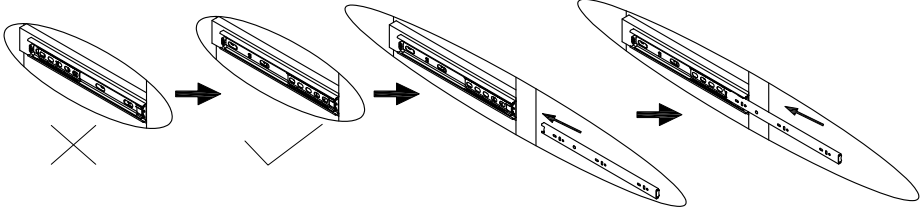
ASSEMBLY INSTRUCTION

STEP 8

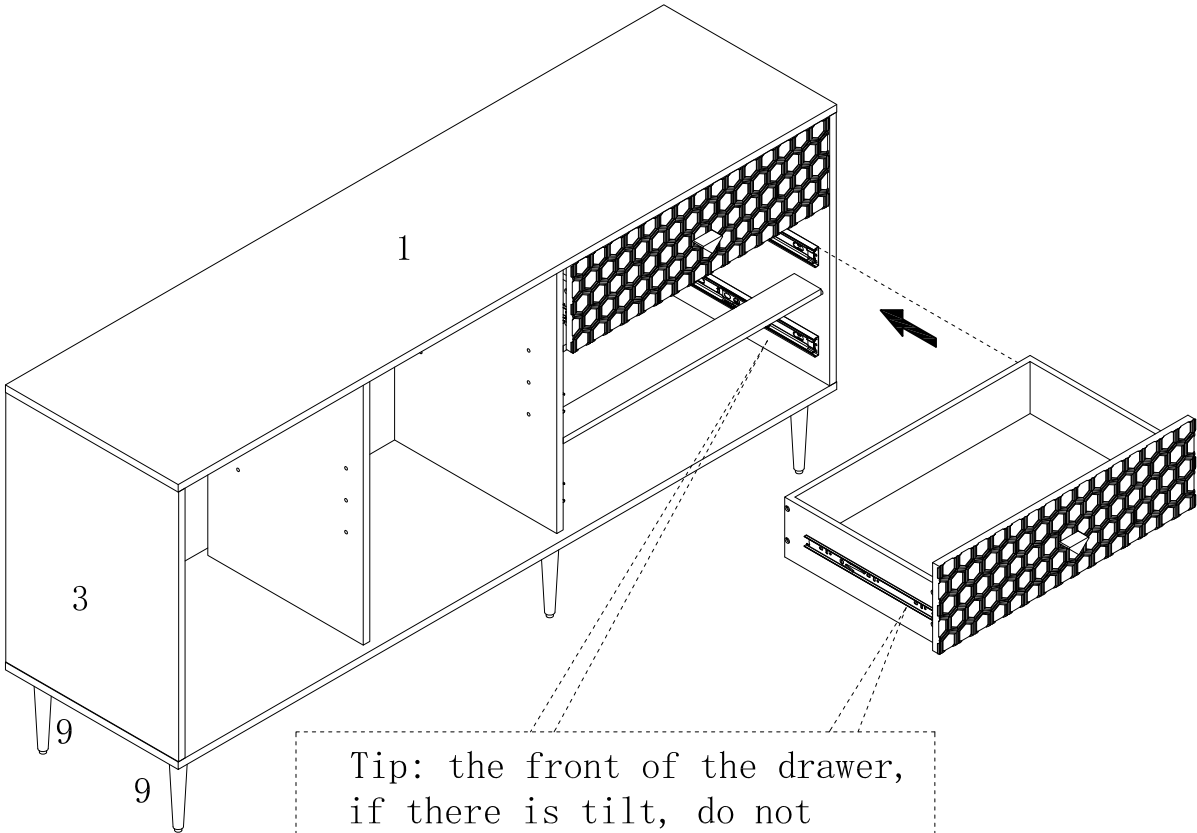
F:		20PCS
G:		2PCS
M:		2PCS



STEP 9



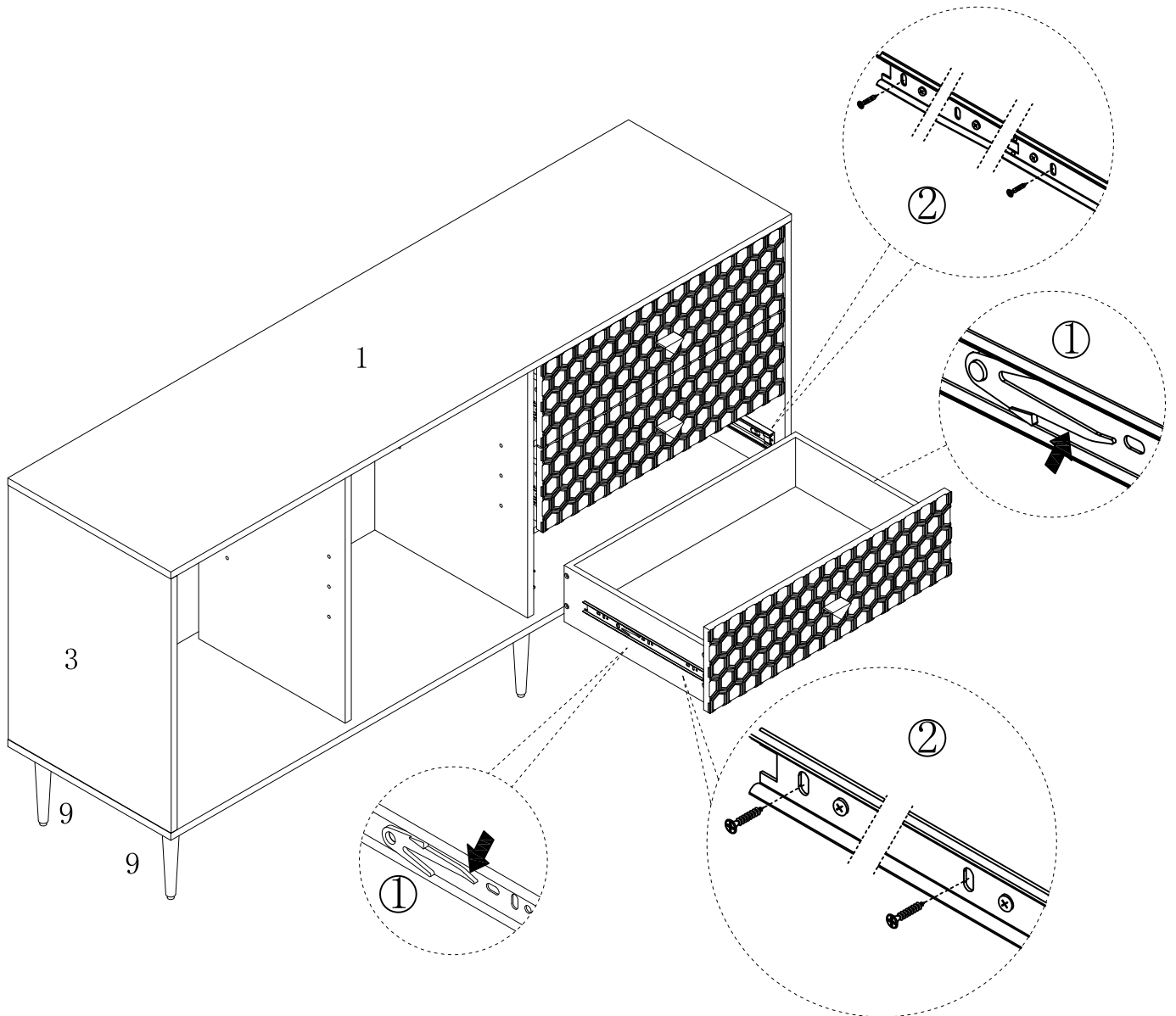
STEP 10



Tip: the front of the drawer, if there is tilt, do not force out, can be adjusted according to these two positions, please refer to the following steps.

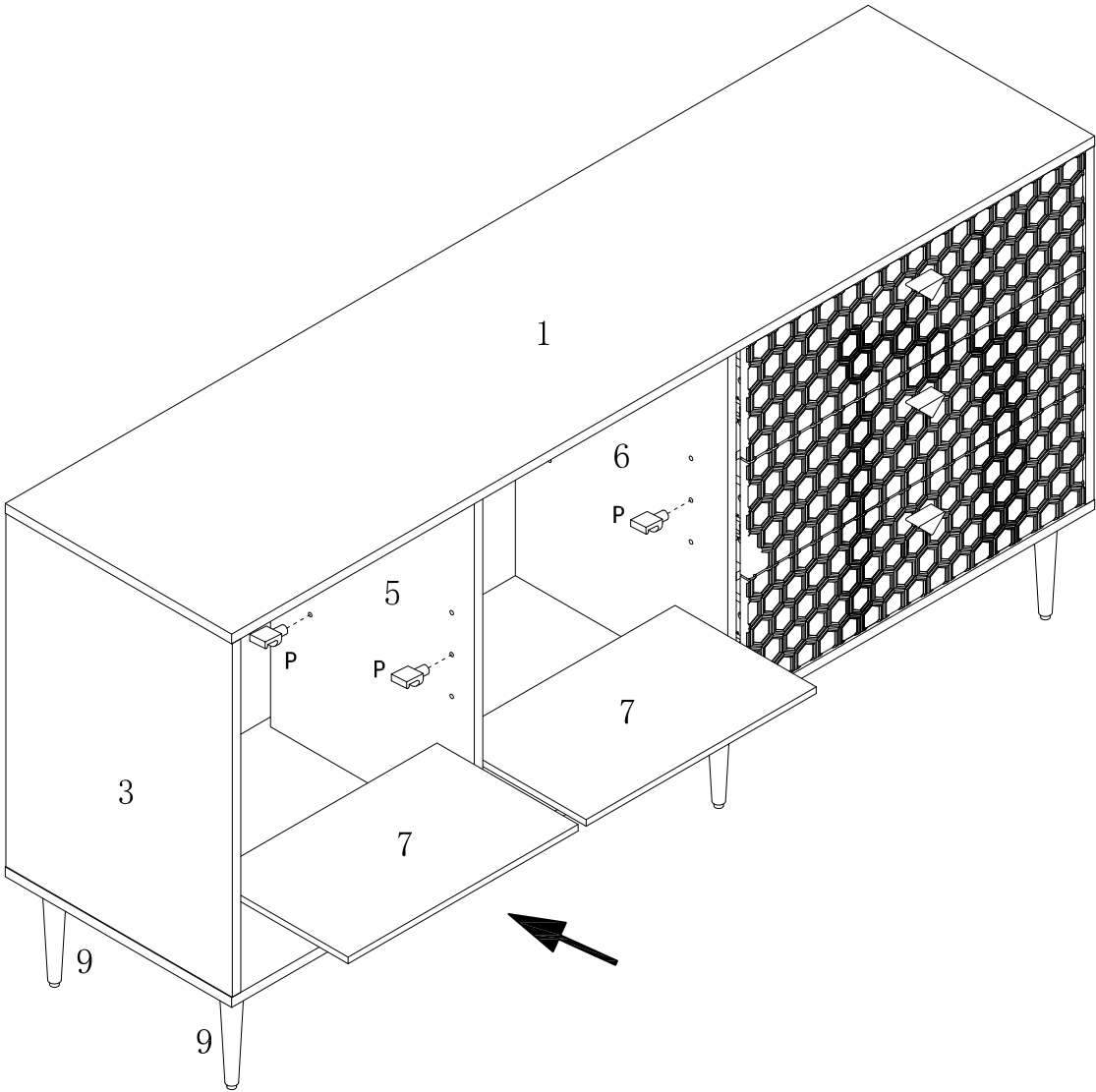
STEP 11 1. Hold down the PVC buckle on the rails on both sides of the suction drum, and gently pull out the suction drum;

2. Loosen the screw of the original fixed track on the suction drum and the side plate, lock it up and fix it by adjusting the position of the hole next to it up and down, then install it into the suction drum.




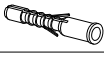


STEP 12

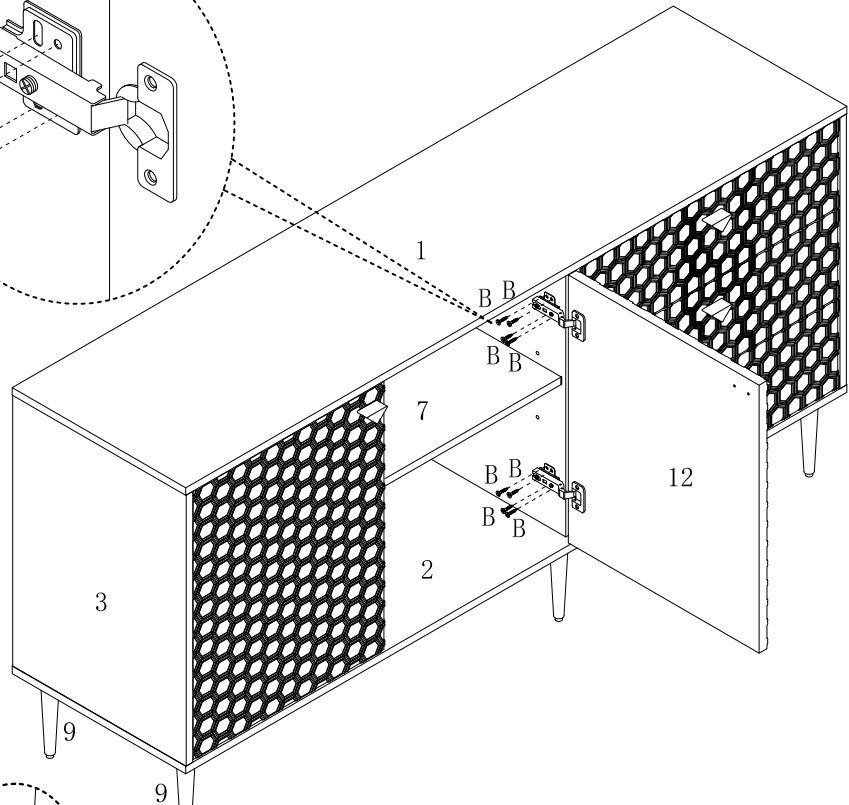
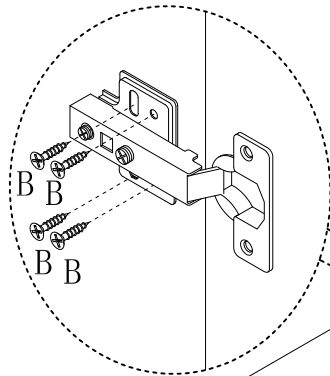
P:  8PCS



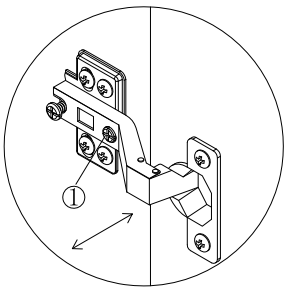
ASSEMBLY INSTRUCTION

STEP 13

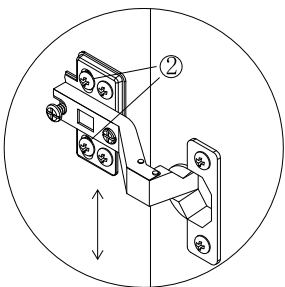
B:		16PCS
H:		2PCS
I:		2PCS
M:		2PCS



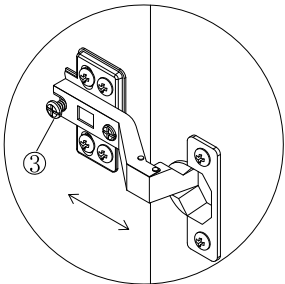
DOOR FITTING



To adjust in width

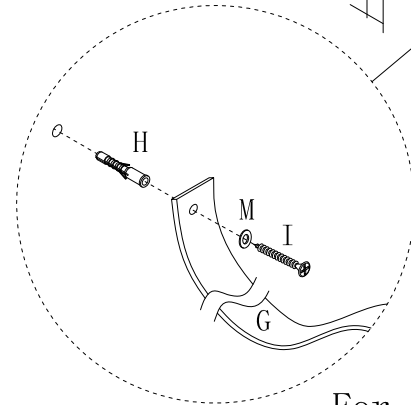
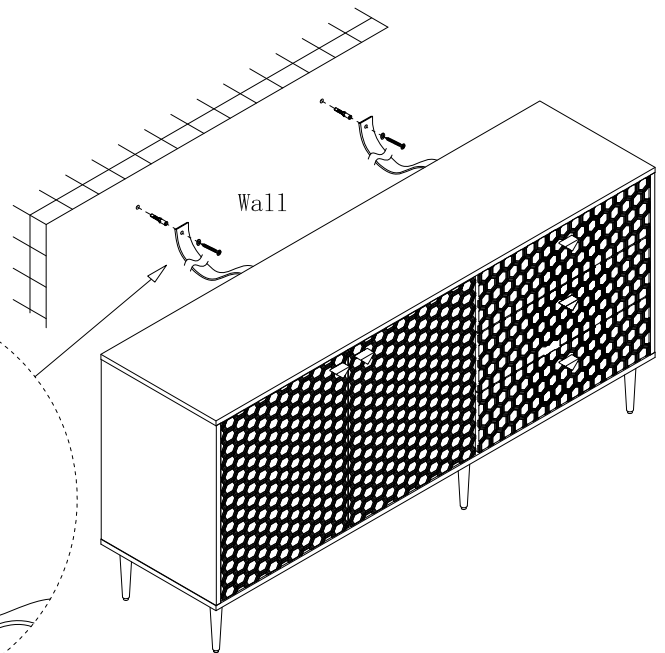
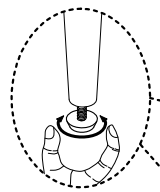


To adjust in height



To adjust in depth

The feet pads can be adjusted to help level the cabinet.



For safety reasons, it is recommended to install safety wall strap to fix the item.