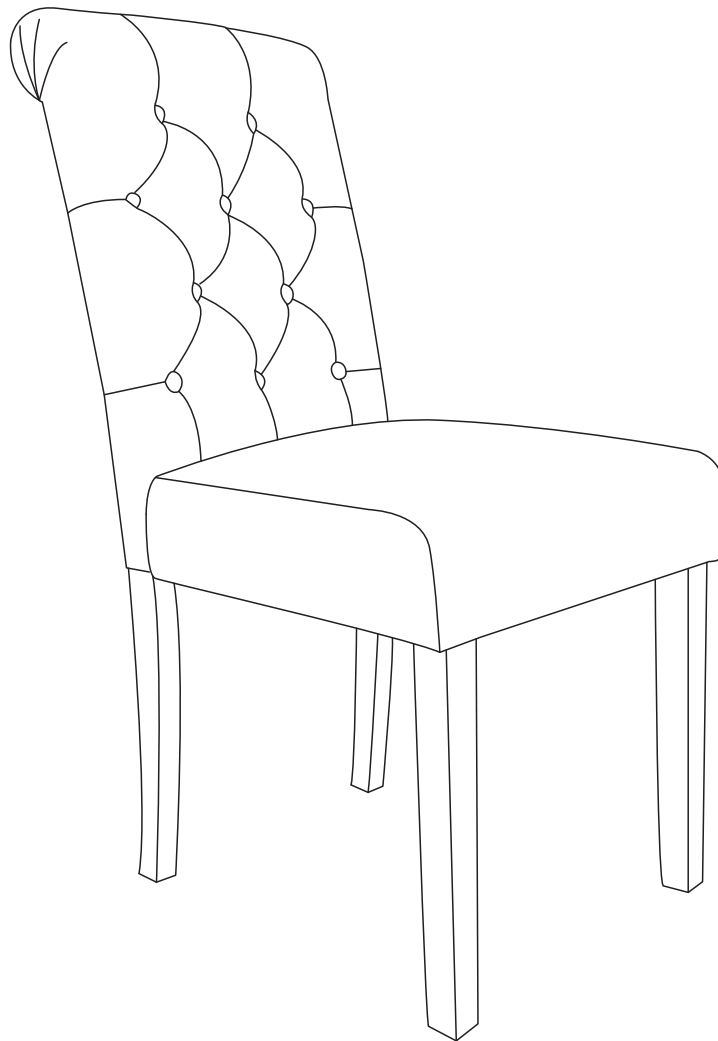


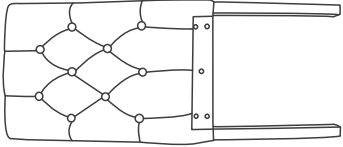
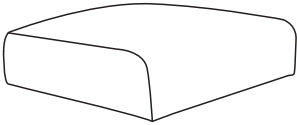
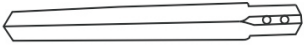
# Assembly Instruction

Dining chair






SKU DY-MY7076



# Component list

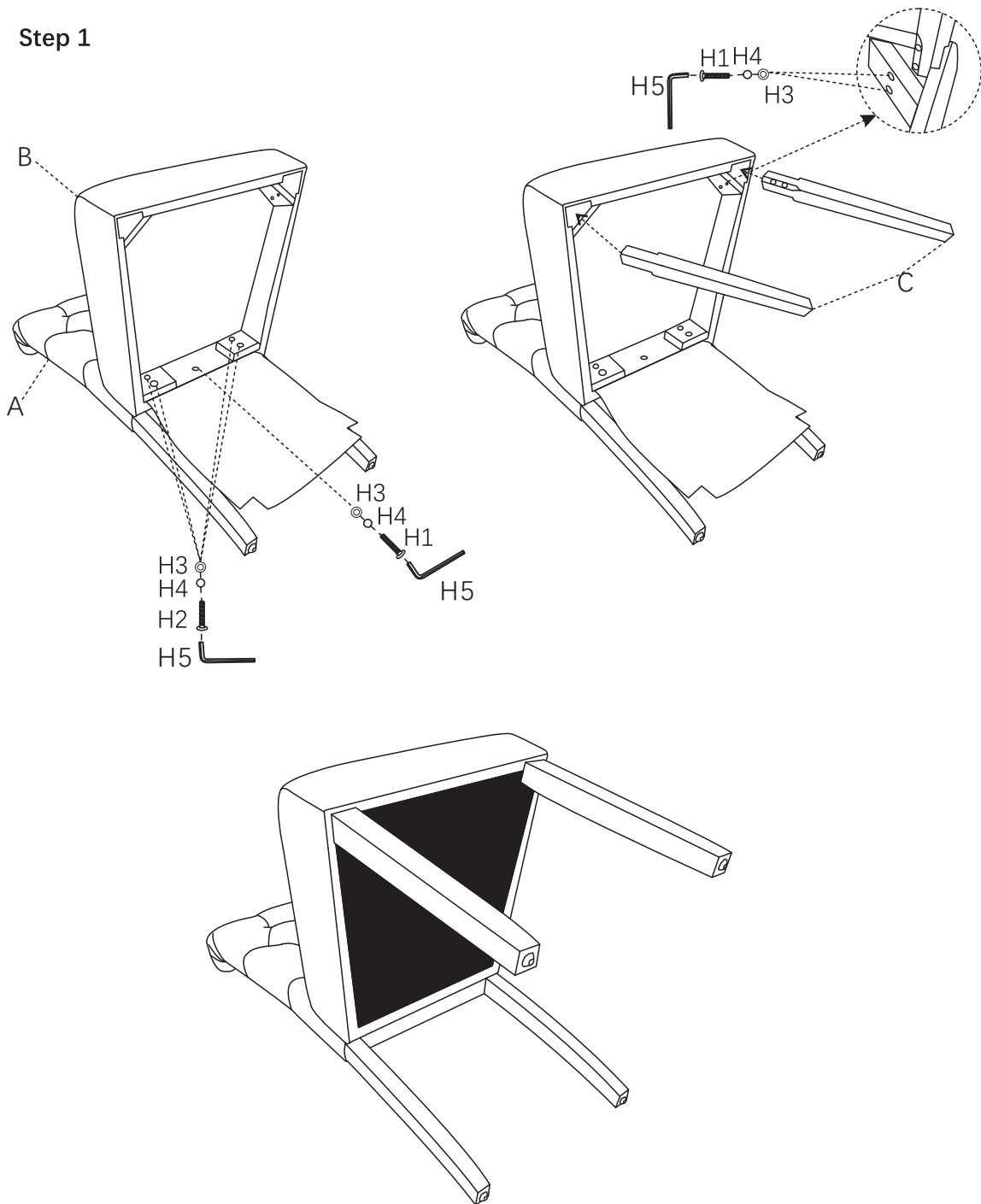
LABEL		DESCRIPTION	QTY
A		Back	1
B		Seat	1
C		FRONT LEG	2

# Hardware List

LABEL		DESCRIPTION	QTY
H1		Bolt (M8*50mm)	5
H2		Bolt (M8*75mm)	4
H3		Flat Washer (φ8mm)	9
H4		Spring Washer	9
H5		Allen Wrench	1

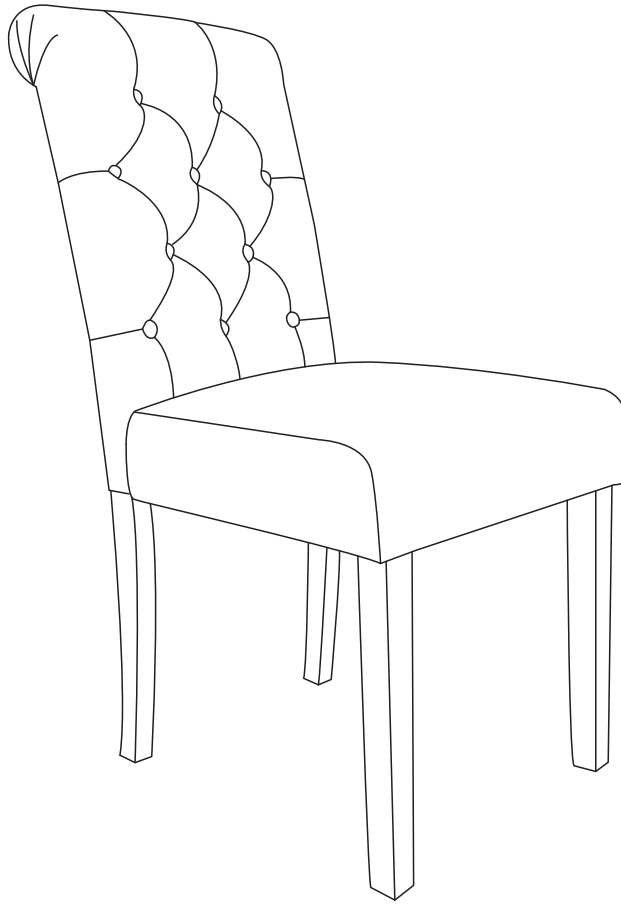
# Assembly Steps

## Step 1



Put the screws in the holes,tight the screws,but not too tight.90% is ok.

Step 2



Flip the chair upwards and put it on a flat surface, make sure it is leveled before fully tighten all bolts.