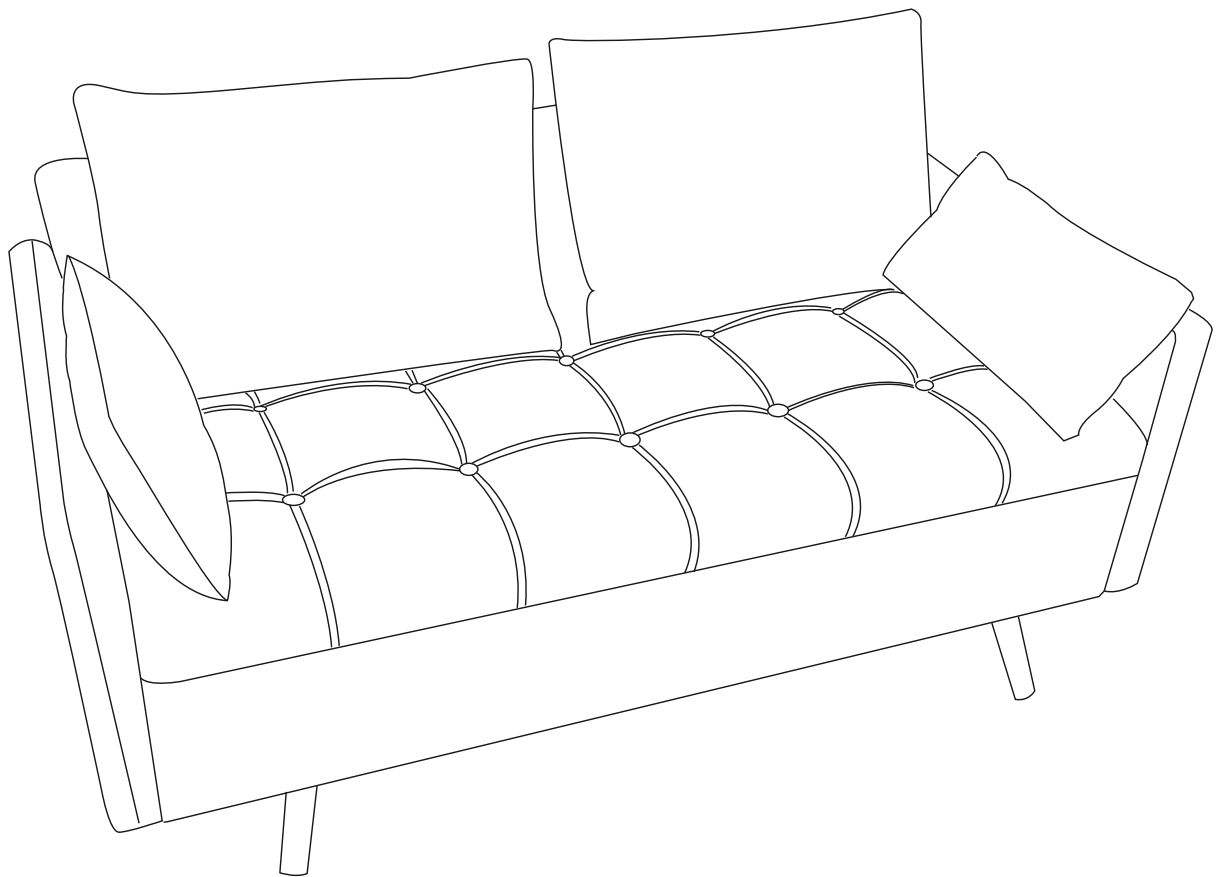


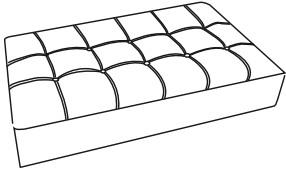
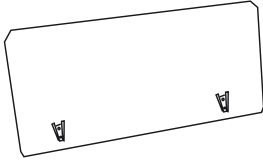
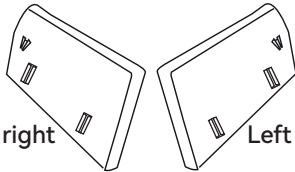
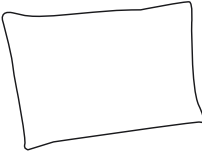

# ASSEMBLY INSTRUCTION

STORAGE SOFA


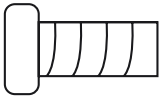
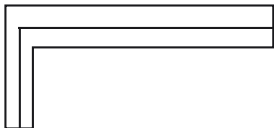
AH-0202D



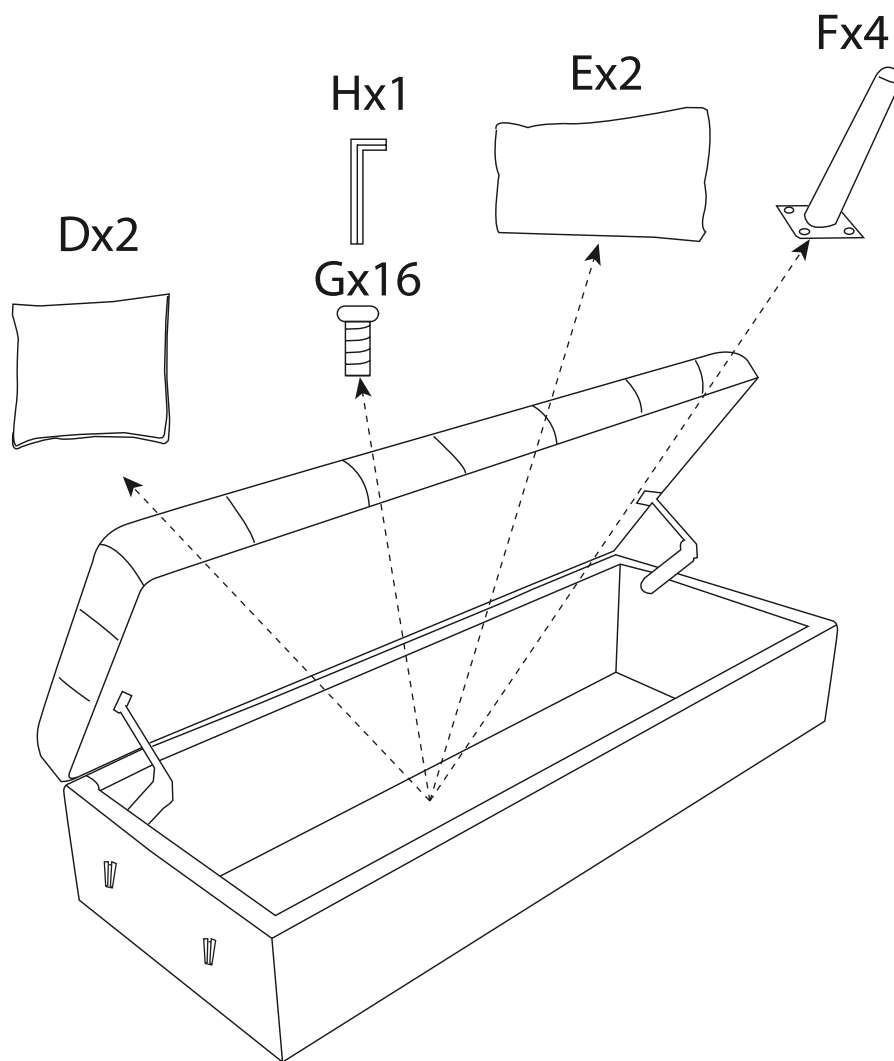
# Component List

LABEL		DESCRIPTION	QTY
A		Seat	1
B		Back	1
C		Arm	2
D		Pillow	2
E		Pillow	2

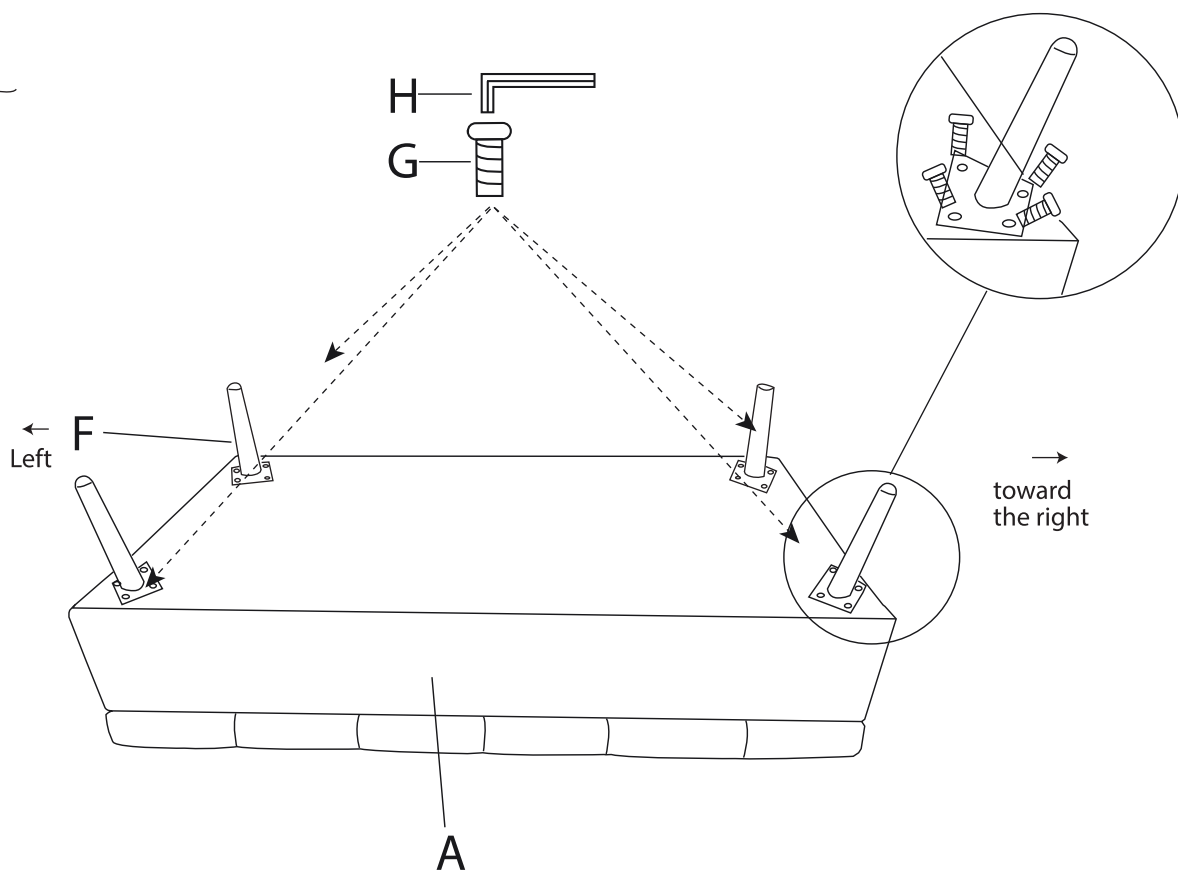
# Hardware List

LABEL		DESCRIPTION	QTY
F		Leg	4
G		Bolts M6x20mm	16
H		Allen key M6	1

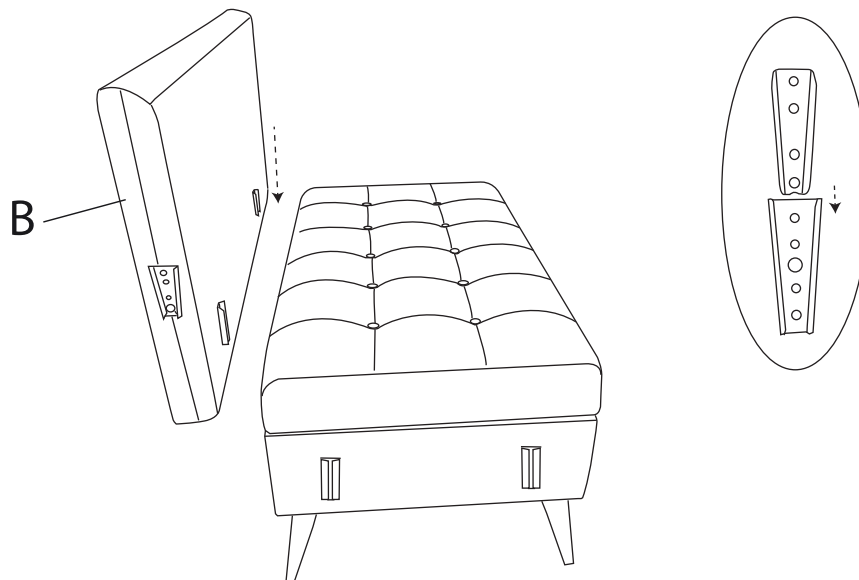
1



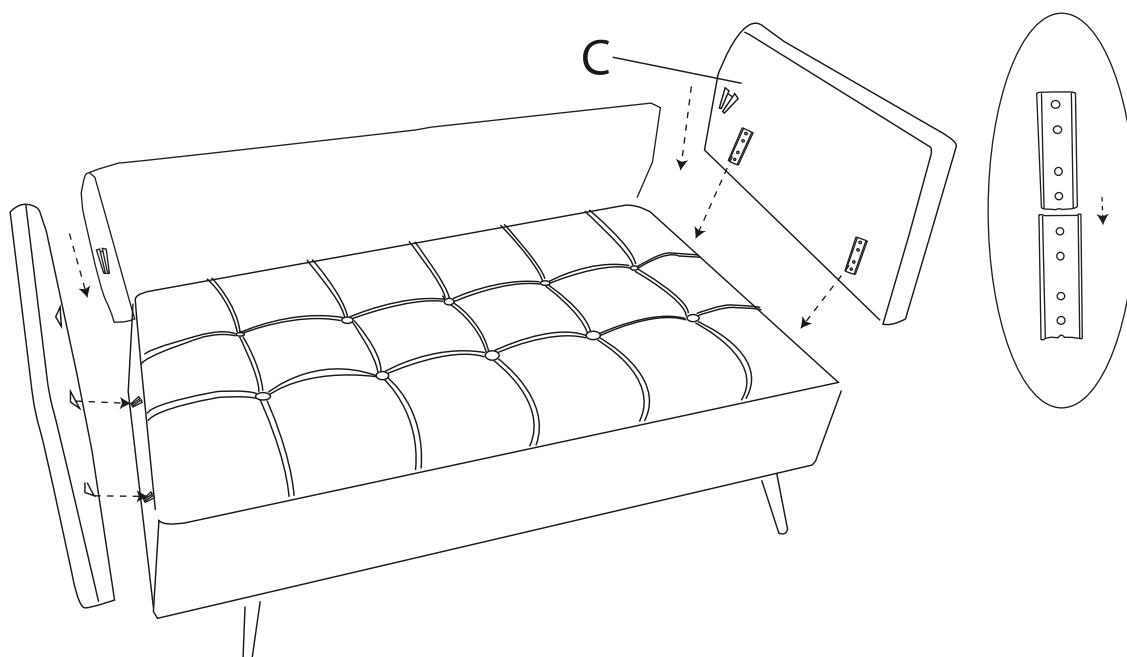
2



3



4



5

