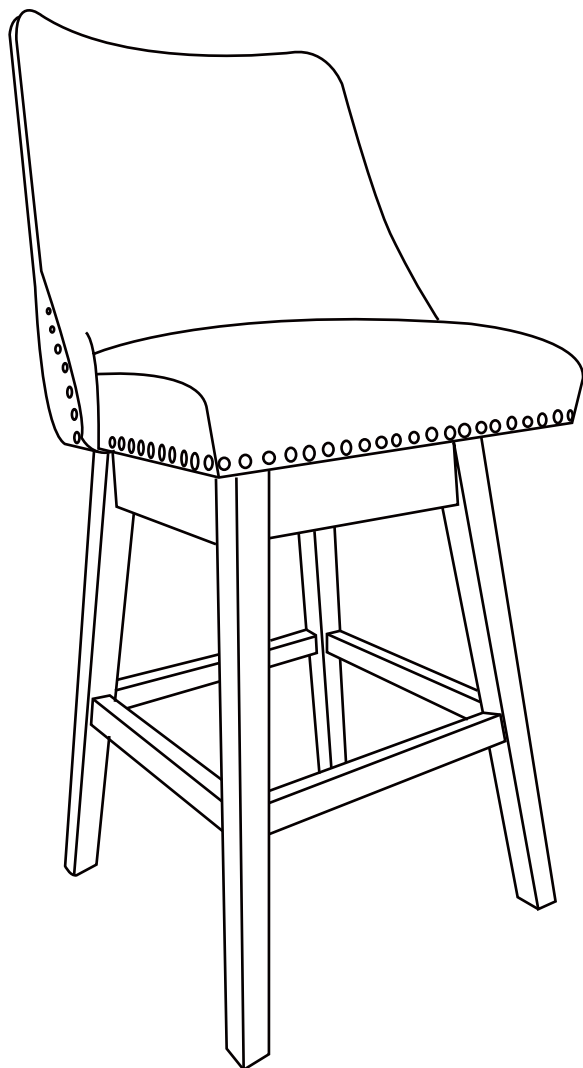


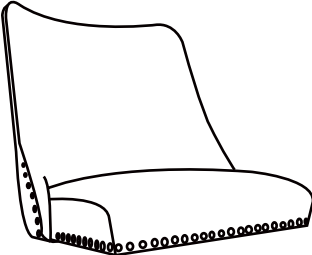
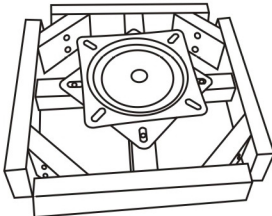


# ASSEMBLY INSTRUCTION

## Barstool








SKU DY-YS6017



### Component List

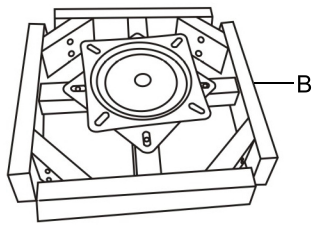
LABEL		DESCRIPTION	QTY
A		Seat	1
B		Swivel	1
C		Wood legs	4
D		Stretcher	4

# Hardware List

LABEL		DESCRIPTION	QTY
H1		Bolts M8X70mm	8
H2		Bolts M6X25mm	4
H3		Bolts 40mm	8
H4		Spring Washer	8
H5		Flat Washer	8
H6		Allen Wrench M8	1
H7		Allen Wrench M6	1

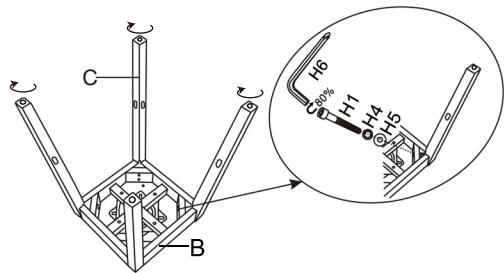
## Assembly Steps

1



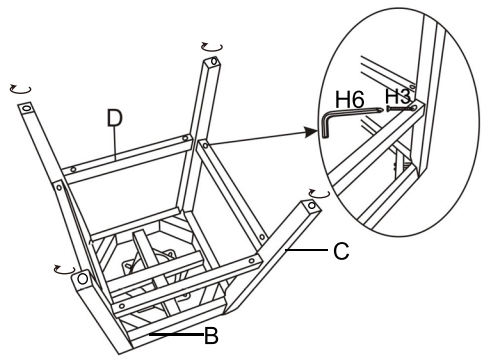
Swivel

2

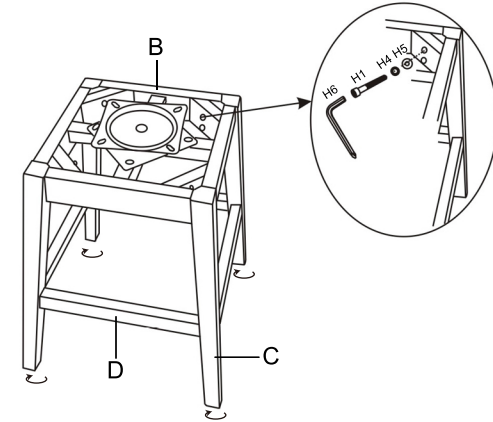


Engage bolts but do not tighten them until step4

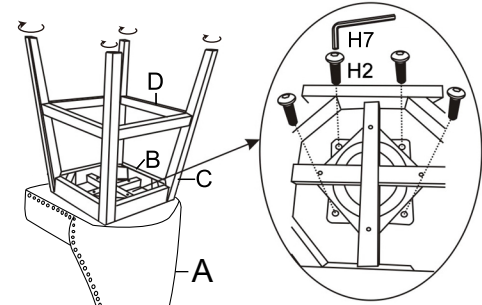
3



4



5



Tighten all bolts

6

