


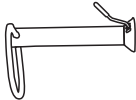
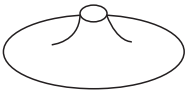
ASSEMBLY INSTRUCTION

Bar stool


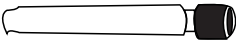
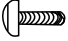
DYYS-8211-2PCS



Component List

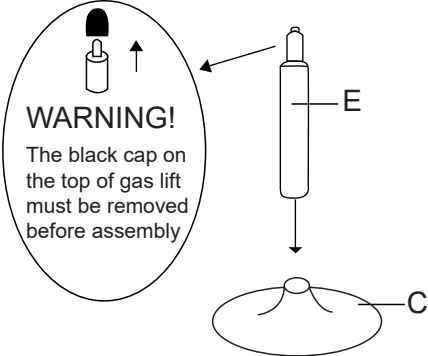
LABEL		DESCRIPTION	QTY
A		Seat	1
B			1
C		Base	1

Hardware List

LABEL		DESCRIPTION	QTY
D		Allen Wrench	1
E		Gas lift	1
F		Short Bolt	4
G			
H			

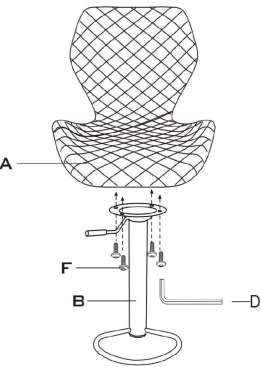
Assembly Steps

1



WARNING!
The black cap on the top of gas lift must be removed before assembly

2



3

