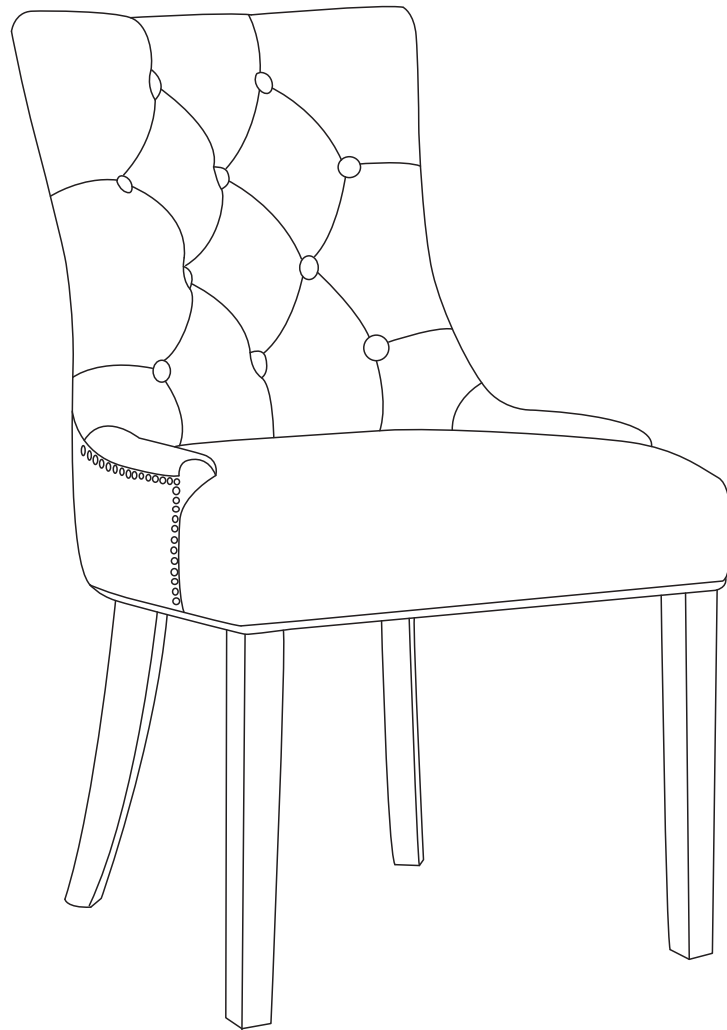



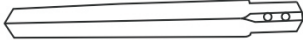

Assembly Instruction

Dining chair





SKU DY-MY8338



Component list

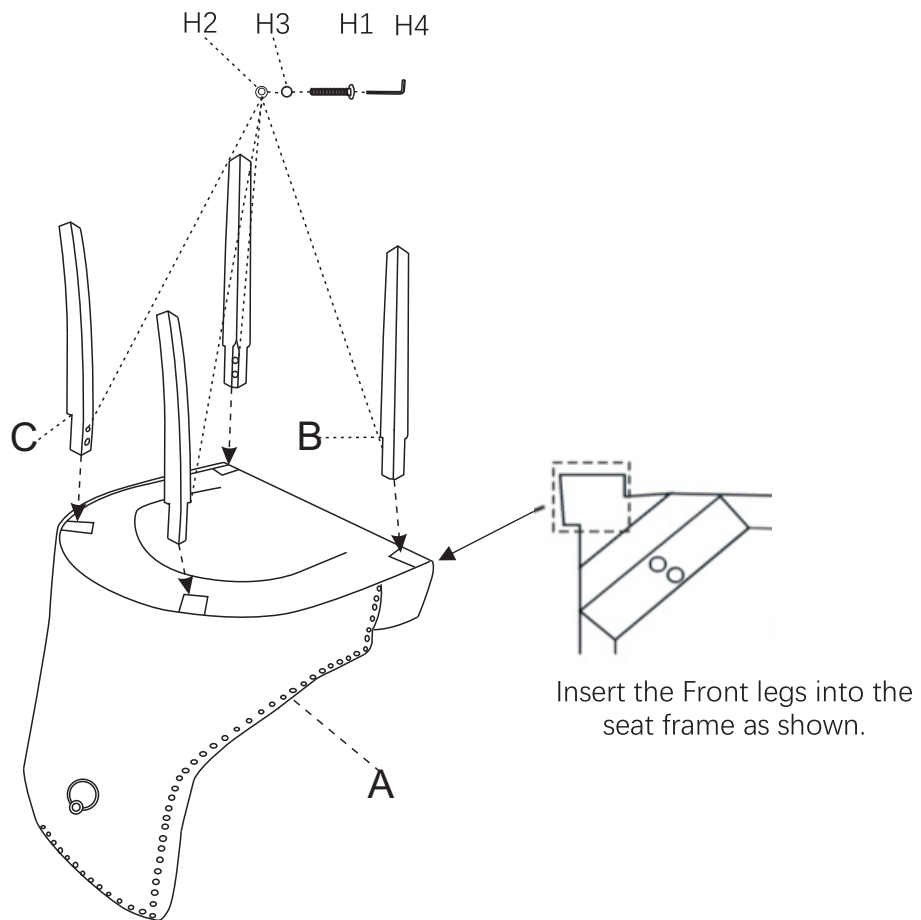
LABEL		DESCRIPTION	QTY
A		Seat	1
B		FRONT LEG	2
C		REAR LEG	2

Hardware List

LABEL		DESCRIPTION	QTY
H1		Bolt (M8*50mm)	8
H2		Flat Washer (φ8mm)	8
H3		Spring Washer	8
H4		Allen Wrench	1

Assembly Steps

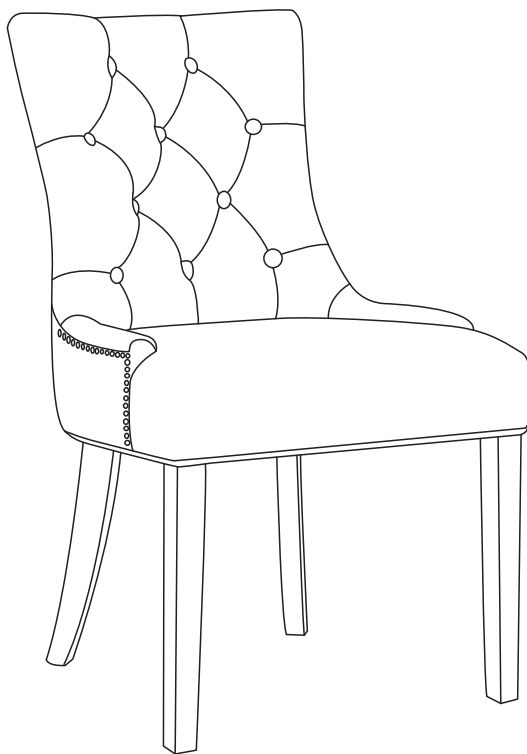
Step 1



Insert the Front legs into the seat frame as shown.

Put the Seat(A) on a padded, non-marring surface with the bottom facing upwards. Unzip the bottom non-woven fabric cover to find the legs and hardware. Insert Front legs(B) and Rear Legs(C) into corresponding positions as illustrated. Engage all Bolts(H1) by hand then tighten all bolts up to 80% tightness.

Step 2



Flip the chair upwards and put it on a flat surface, make sure it is leveled before fully tighten all bolts.