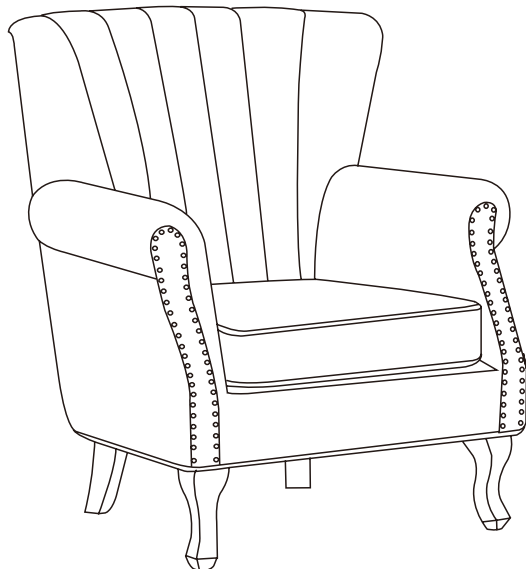
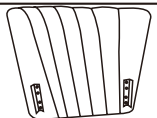

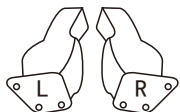
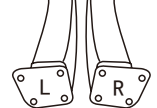


ASSEMBLY INSTRUCTION




Accent Chair DY-HH904KD



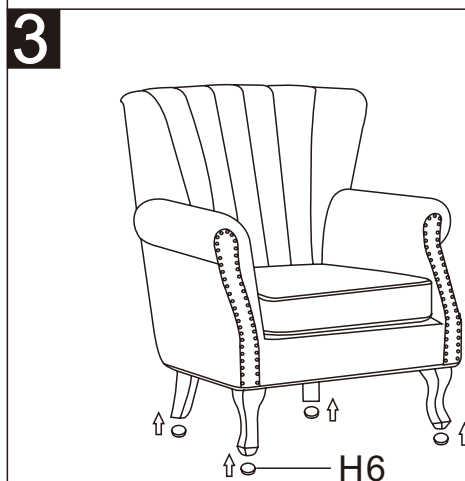
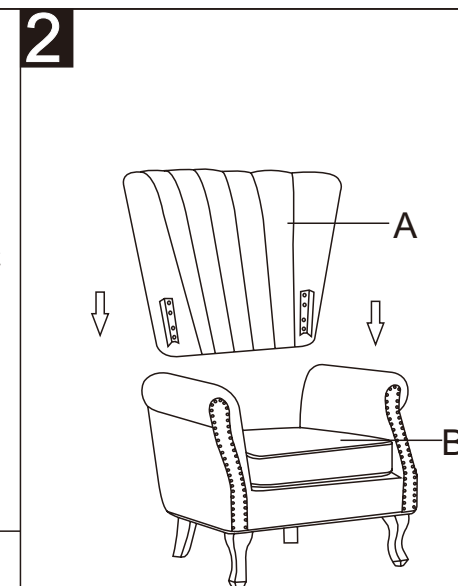
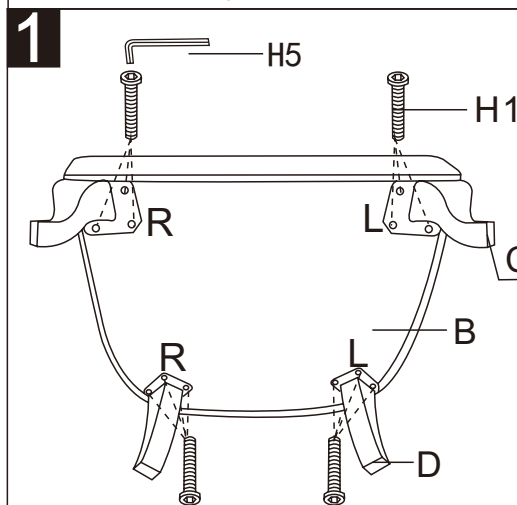
Component List

LABEL	DESCRIPTION	QTY
A	 Chair Back	1
B	 Chair Seat	1
C	 Front Legs	2
D	 Rear Legs	2

Hardware List

LABEL	DESCRIPTION	QTY
H1	 Bolts M6*20MM	14
H5	 Allen Key M5	1
H6	 Felt Pad	4

Assembly Steps



1. Align the pre-installed v-brackets on the Chair Back(A) with the corresponding brackets on the back edge of Chair Seat(B), the v-brackets will slide down into the receiving brackets once both aligned.
2. Press firmly down on Chair Back(A) to secure the Chair Back(A) to Chair Seat(B).