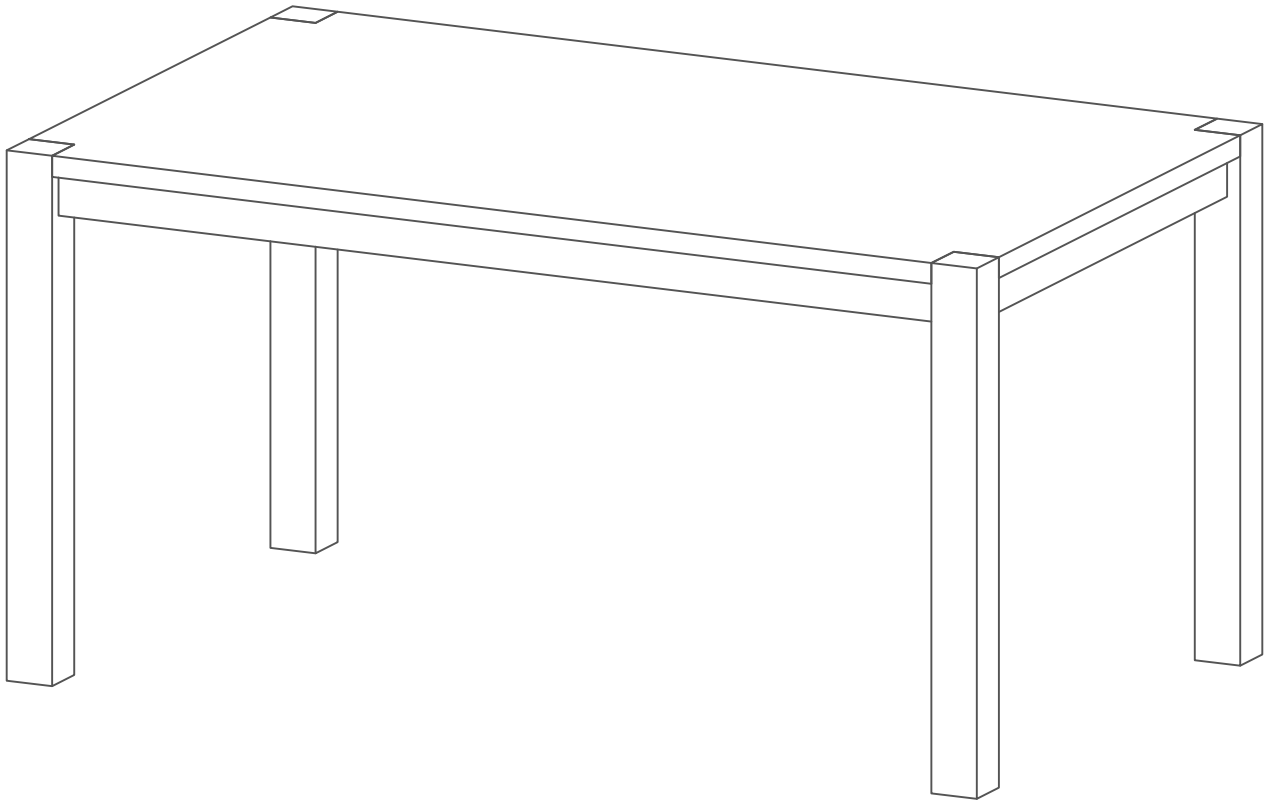


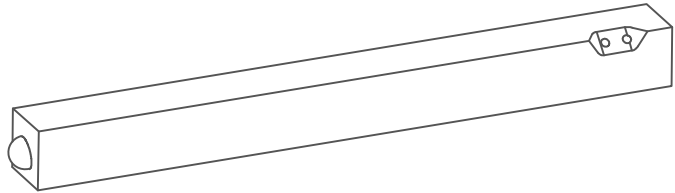
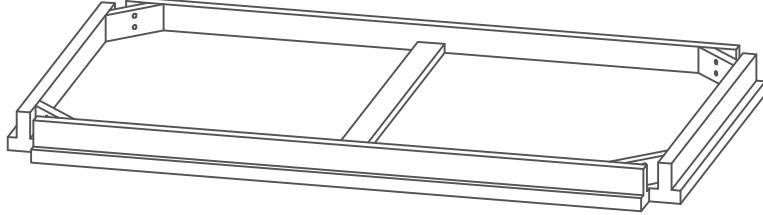
ASSEMBLY INSTRUCTION

Dining Table

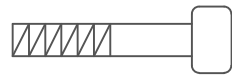



DY-HM20383DT



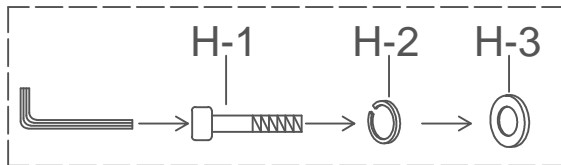
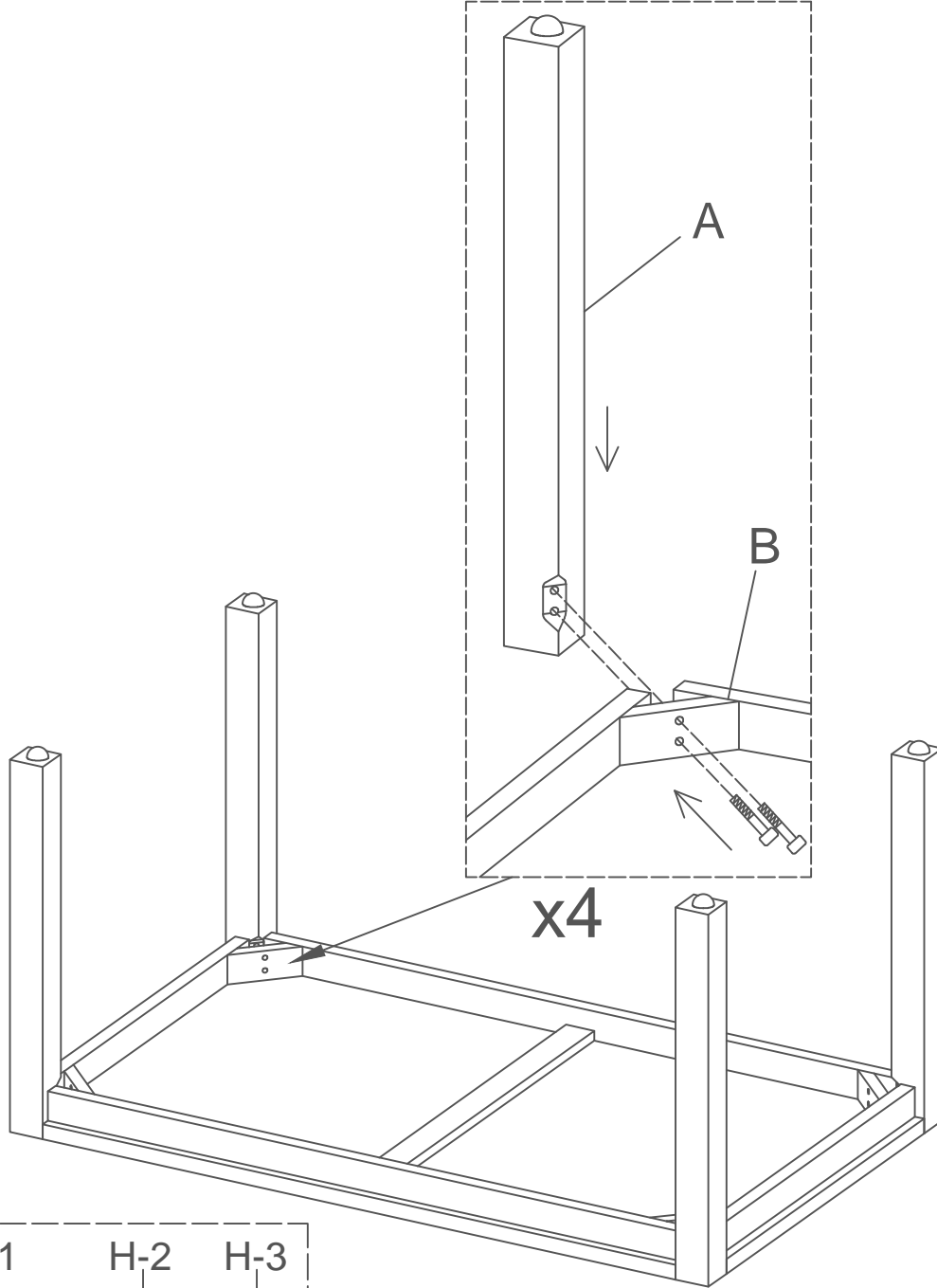
Component List

LABEL		DESCRIPTION	QTY
A		Leg	x4
B		Table top	x1

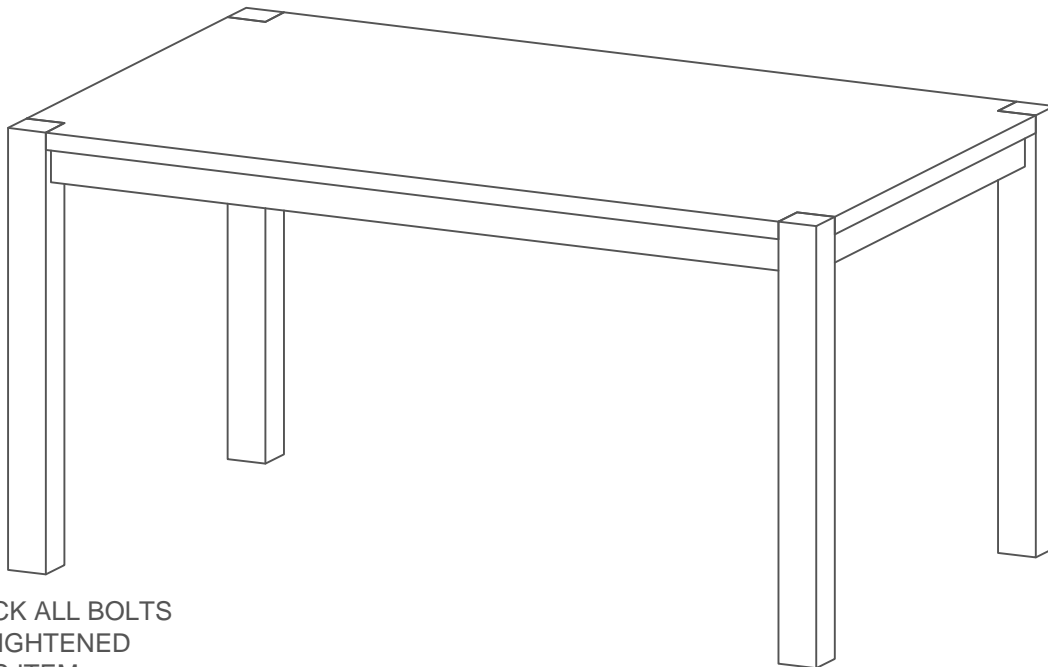
Hardware List

LABEL		DESCRIPTION	QTY
H-1		Bolts (M8X80mm)	x8
H-2		Spring gasket	x8
H-3		Flat gasket	x8
H-4		Allen key	x1

1



2



TIGHTEN BOLT COMPLETELY

BE SURE TO CHECK ALL BOLTS ARE SECURELY TIGHTENED PRIOR USING THIS ITEM