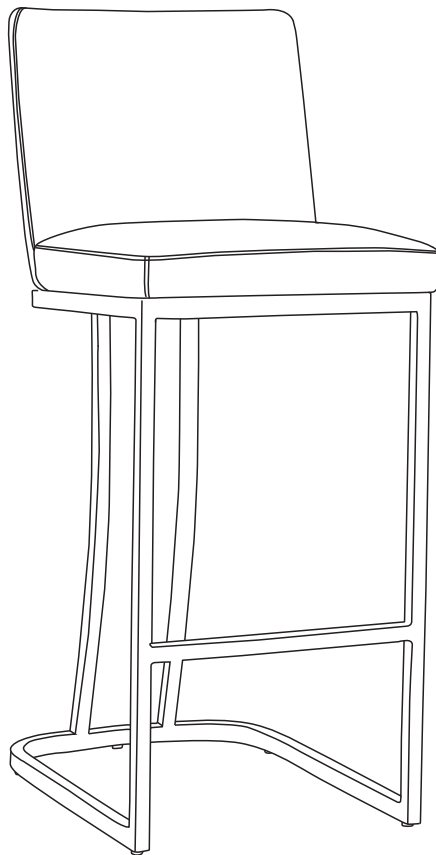



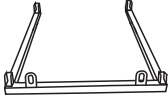



ASSEMBLY INSTRUCTION

Barstool






DY-SY 2956H KD



ComponentList

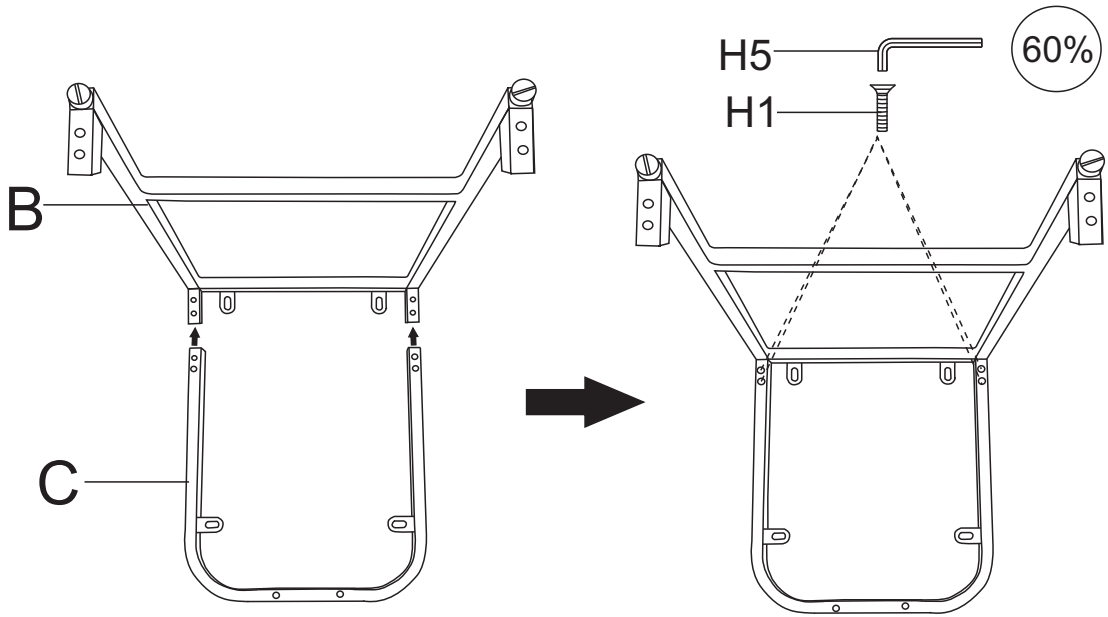
LABEL		DESCRIPTION	QTY
A		Chair Seat	1
B		Base Part	1
C		Base Part	1
D		Base Part	1
E		Base Part	1

HardwareList

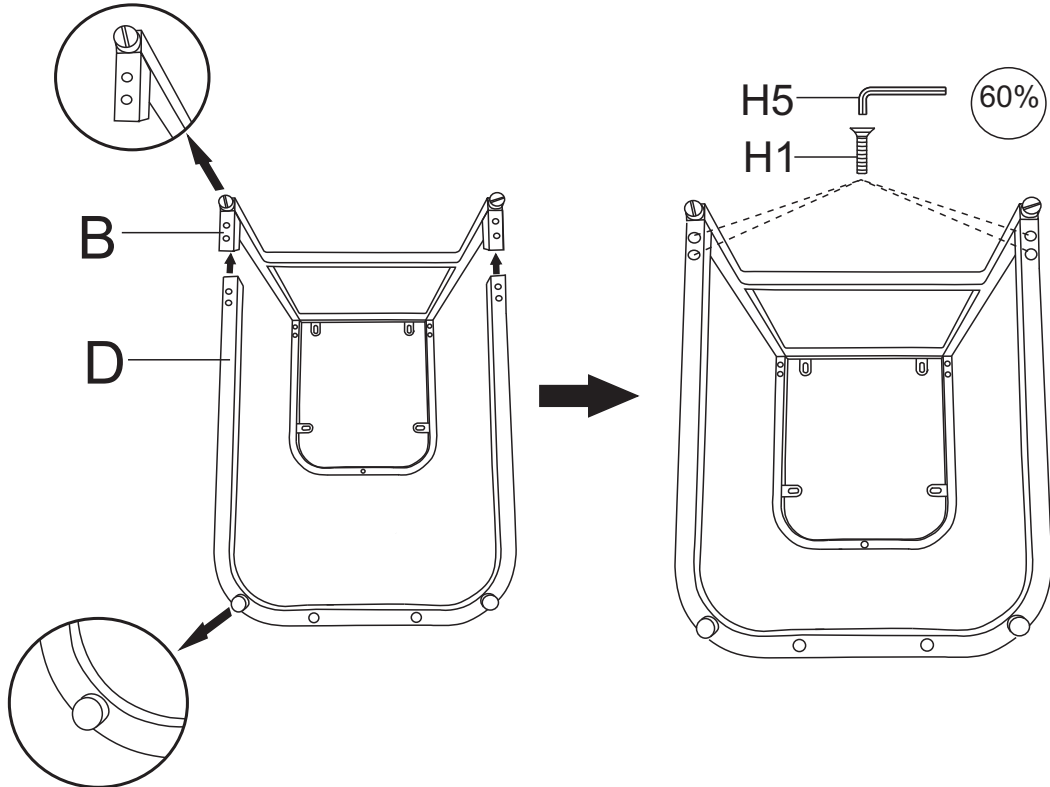
LABEL		DESCRIPTION	QTY
H1		Bolts M6*12MM	8
H2		Bolts M6*20MM	4
H3		Bolts M6*30MM	4
H4		Bolts M6*16*1MM	4
H5		Allen Key	1

AssemblySteps

3

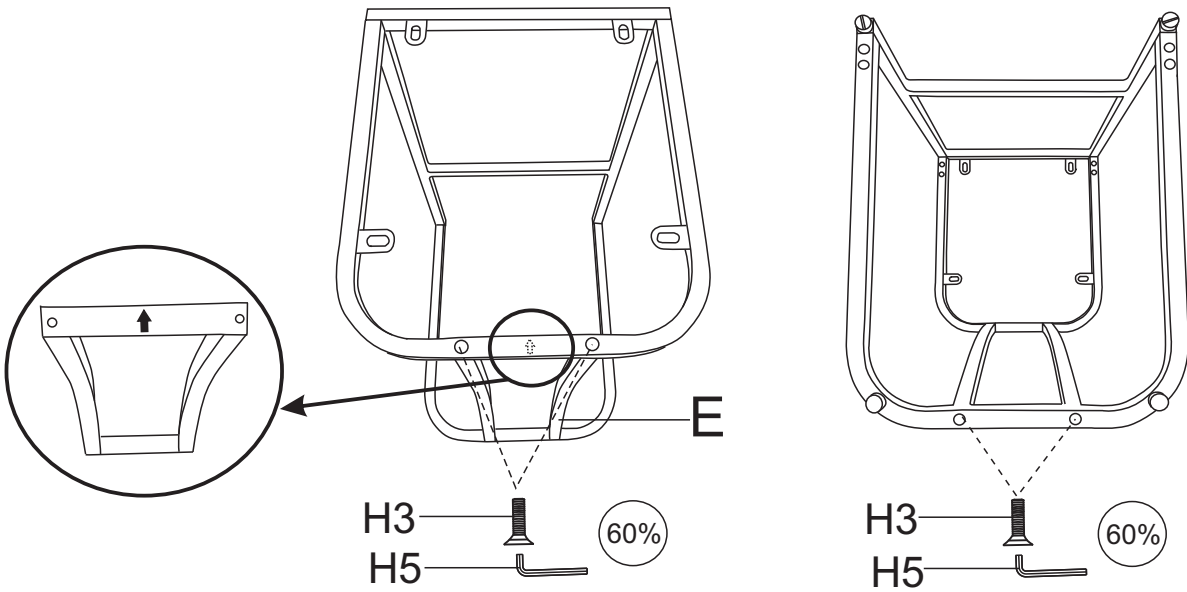


4

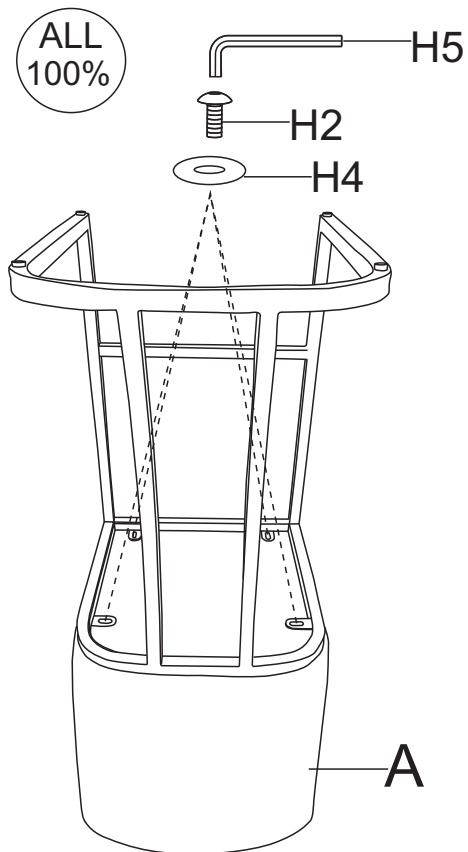


AssemblySteps

3



4



AssemblySteps

5

