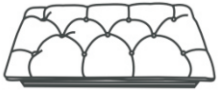


# ASSEMBLY INSTRUCTION

## TB-7537-2

Ax1



Bench Seat

Ex8



M8x60mm  
Bolts

Bx4



Legs

Fx1



Allen Key M8

Cx8



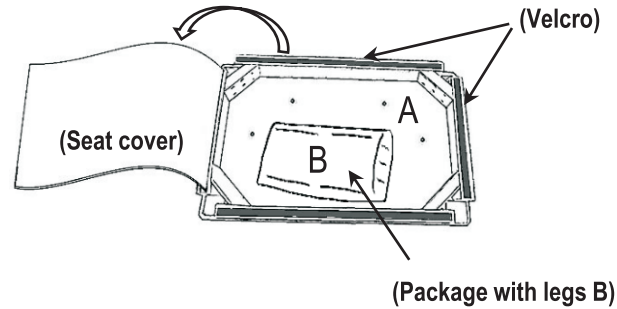
M8x22x2mm  
Washers

Dx8



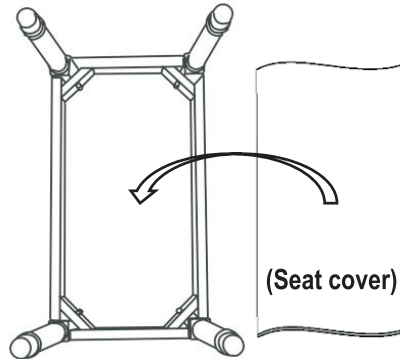
O'Rings M8

①



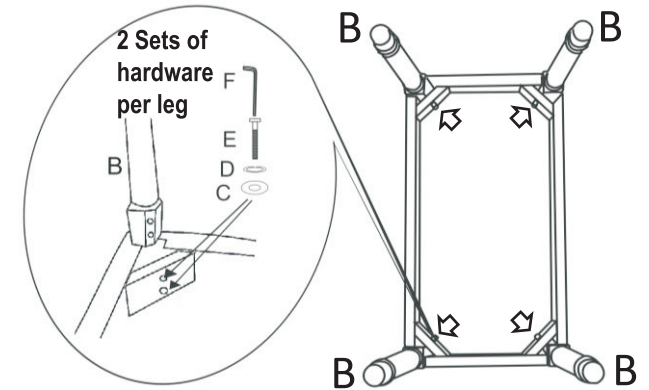
Put the Bench Seat (A) upside-down and detach the cover from the Velcro on the frame, and remove the package with the legs and the screws.

③



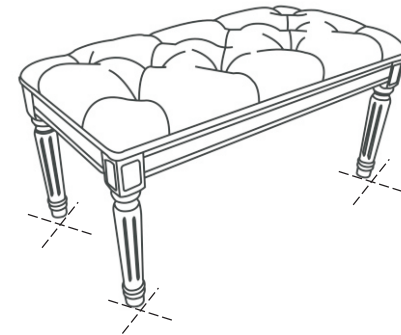
Re-attach the seat cover to the Velcro on the frame as shown.

②



Assemble the corner legs (B) to the seat frame (A) using washers (C), O'Rings (D) and bolts (E), as shown.

④



If the legs feel uneven, unscrew loose all the bolts just a little bit, seat on the bench and then re-tighten the bolts.

### WARNING:

DO NOT STAND ON THE PRODUCT, DO NOT USE THIS PRODUCT AS A STEP LADDER.  
DO NOT USE THIS PRODUCT UNLESS ALL BOLTS, SCREWS AND KNOBS ARE FIRMLY SECURED.  
PLEASE DO NOT USE KNIFE TO OPEN ANY PARTS OF THE BOX OR PRODUCT.