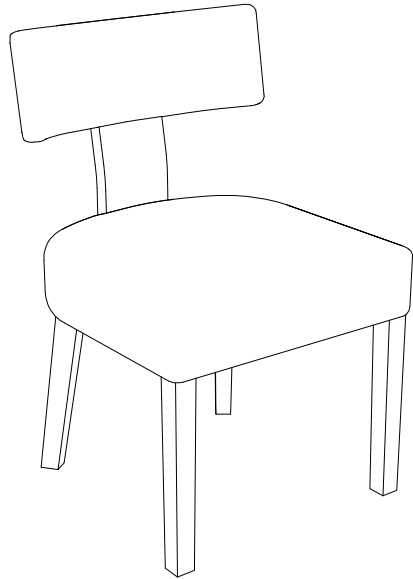
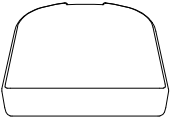
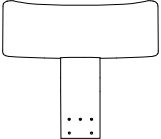
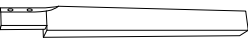



ASSEMBLY INSTRUCTION

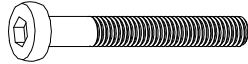
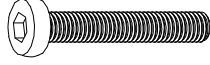



Dining chair
TN-1670



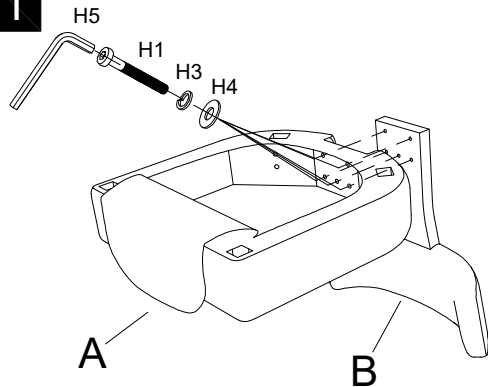
Component List

LABEL		DESCRIPTION	QTY
A		Seat	1
B		Back	1
C		Front leg	2
D		Back leg	2

Hardware List

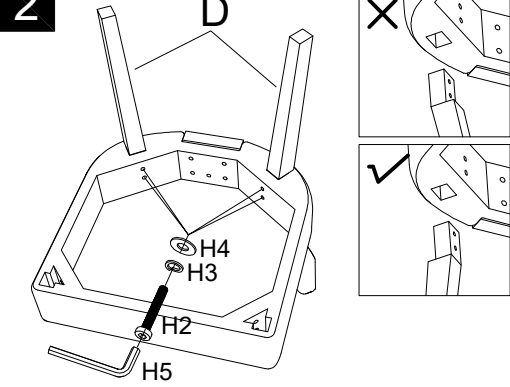
LABEL		DESCRIPTION	QTY
H1		SCREW M8×70mm	9
H2		SCREW M8×50mm	4
H3		Spring washer M8	13
H4		Flat washer M8×22×1.5mm	13
H5		Allen key M8	1

1



A B

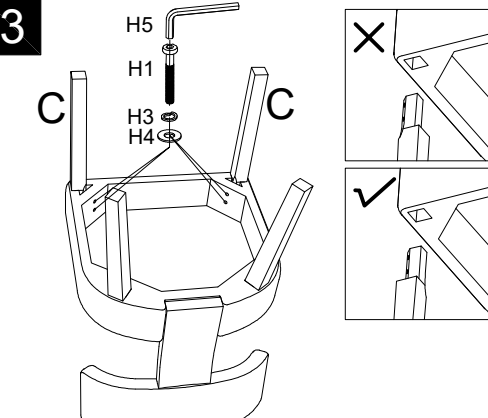
2



D

Tighten the screws to 80% tightneen.

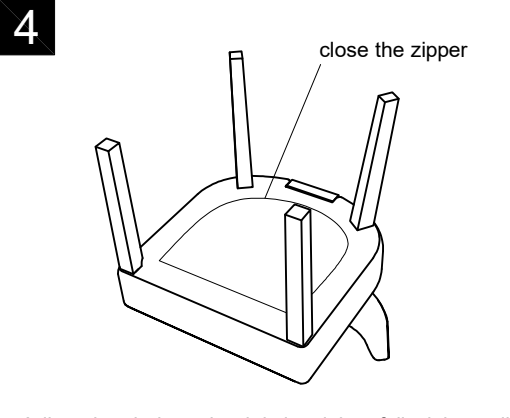
3



C C

Tighten the screws to 80% tightneen.

4



close the zipper

Adjust the chair so that it is level, then fully tighten all the screws.