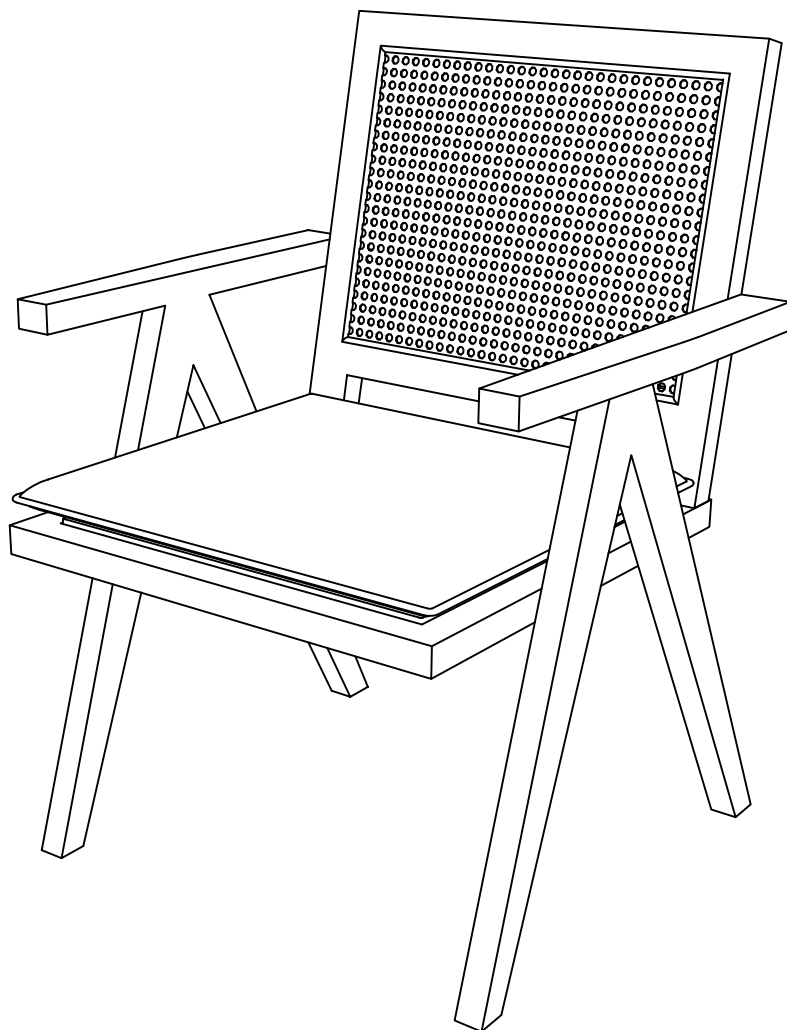


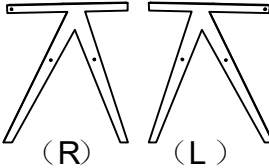
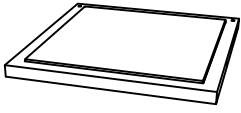
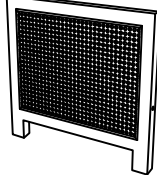
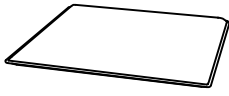
ASSEMBLY INSTRUCTION

Dining chair




TN-1826



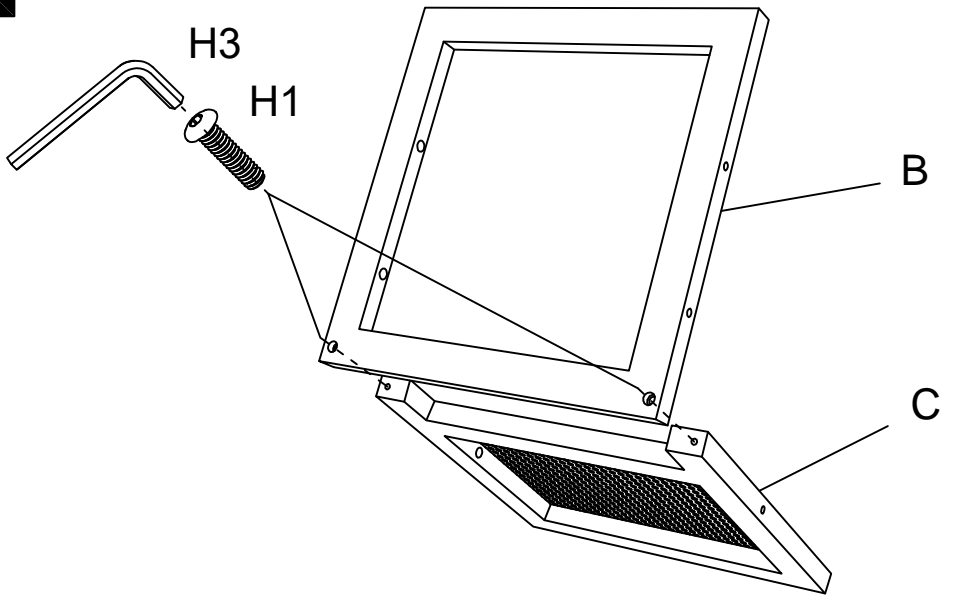
Component List

LABEL		DESCRIPTION	QTY
A		Arm	2
B		Seat	1
C		Back	1
D		Seat cushion	1

Hardware List

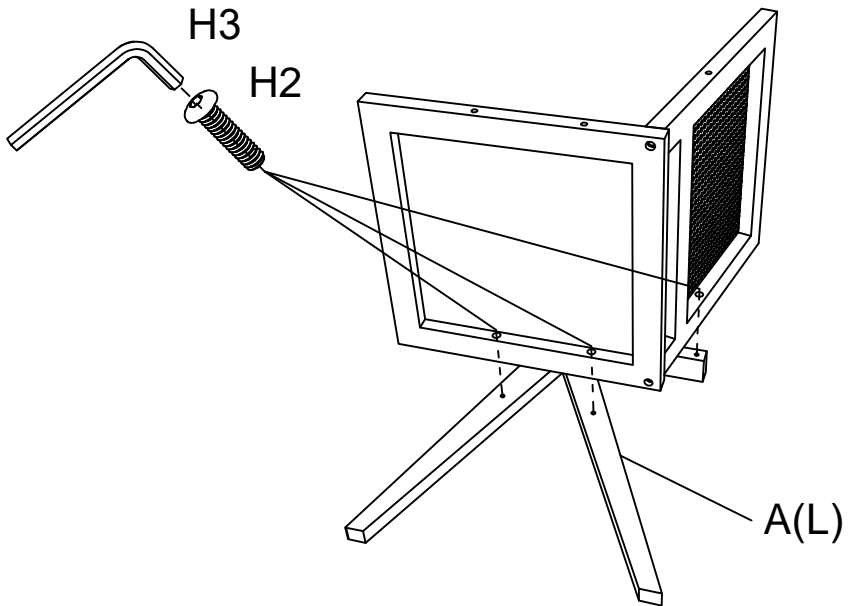
LABEL		DESCRIPTION	QTY
H1		Bolts M6×40mm	2
H2		Bolts M6×50mm	6
H3		Allen key M6	1

1



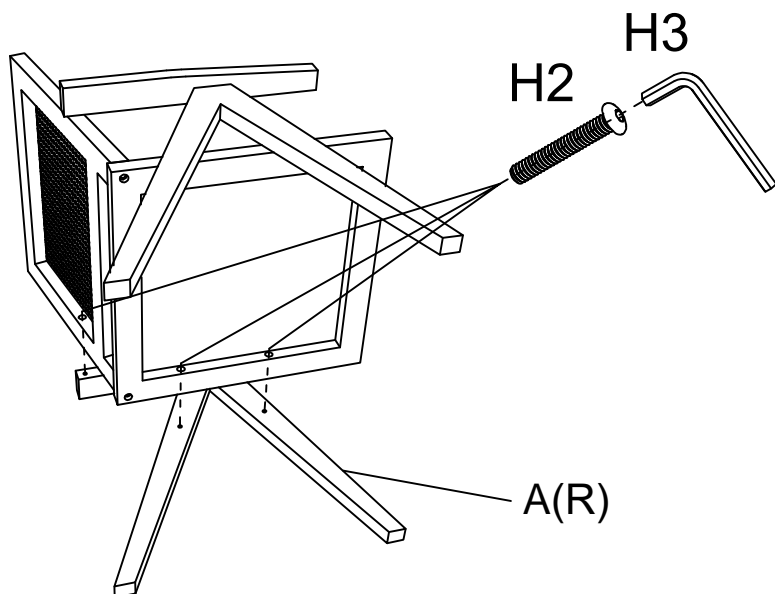
Tighten the bolts to 80% tightness.

2



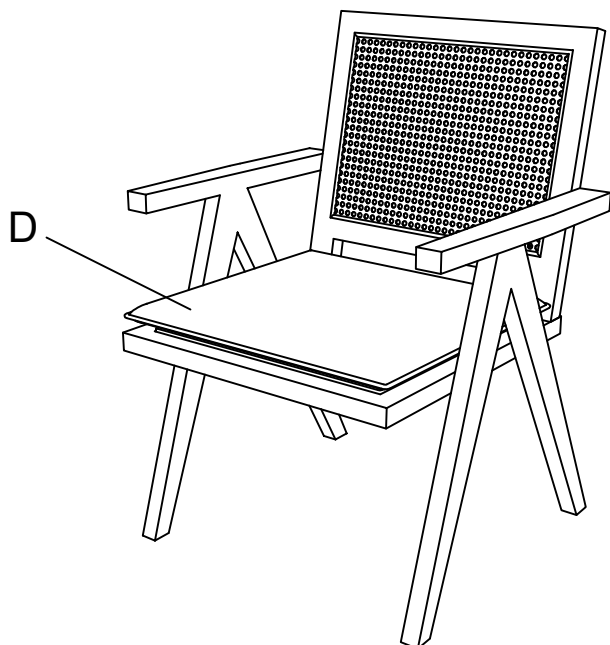
Tighten the bolts to 80% tightness.

3



Tighten the bolts to 80% tightness.

4



Adjust the chair so that it is leveled, then fully tighten all the bolts.