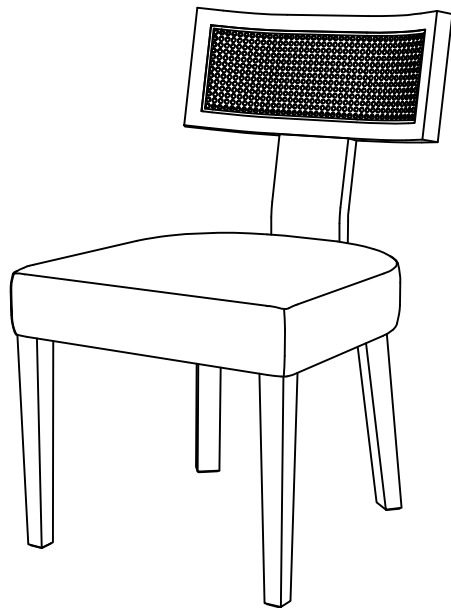
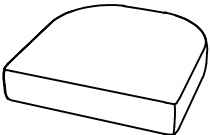
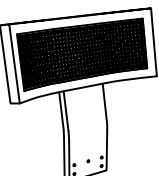
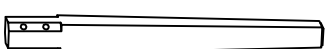
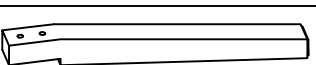


ASSEMBLY INSTRUCTION






Dining chair
TN-1918



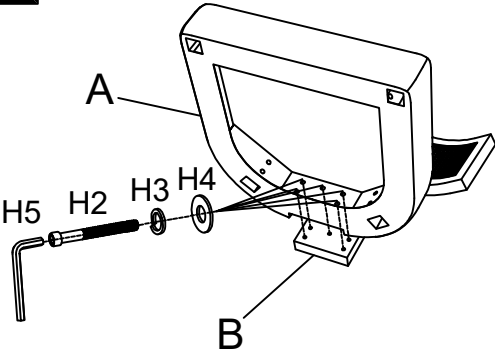
Component List

LABEL	DESCRIPTION	QTY
A	 Seat	1
B	 Back	1
C	 Front leg	2
D	 Back leg	2

Hardware List

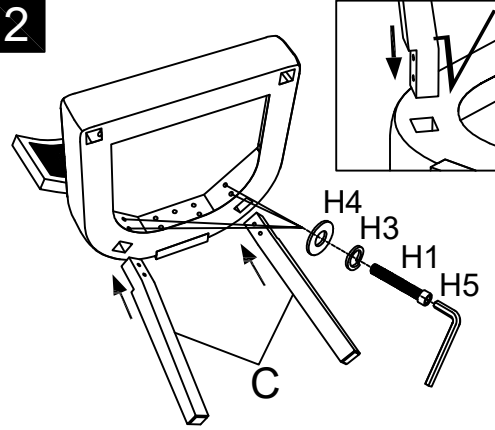
LABEL	DESCRIPTION	QTY
H1	 Bolts M8×50mm	4
H2	 Bolts M8×70mm	9
H3	 Spring washer M8	13
H4	 Flat washer M8×22×1.5mm	13
H5	 Allen key M8	1

1



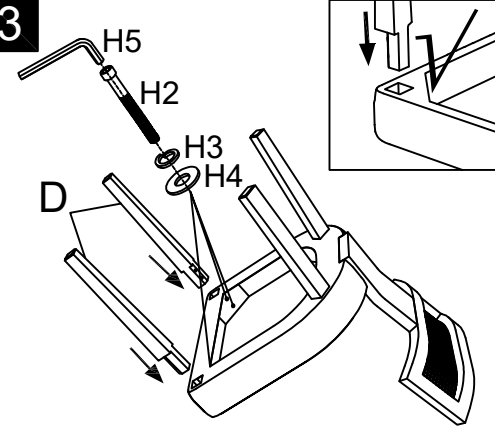
Tighten the bolts to 80% tightness.

2



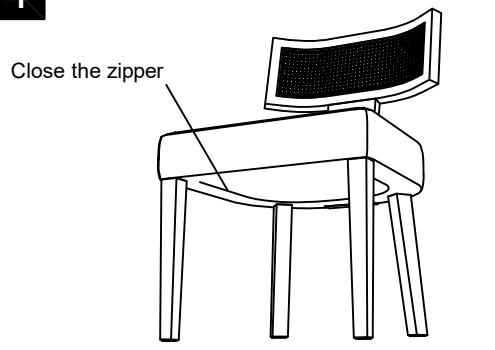
Tighten the bolts to 80% tightness.

3



Tighten the bolts to 80% tightness.

4



Close the zipper

Adjust the chair so that it is leveled, then fully tighten all the bolts.