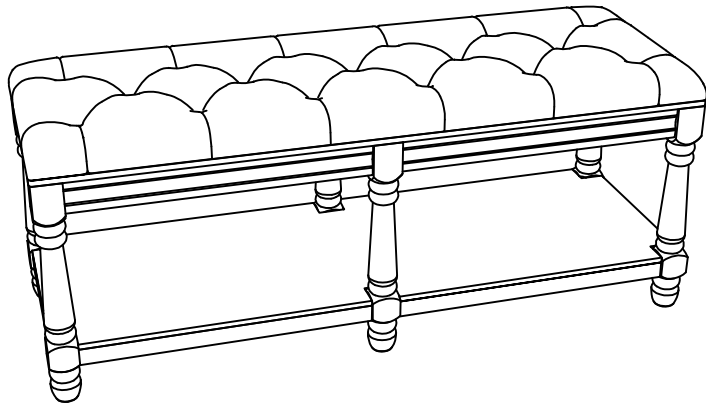
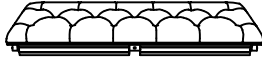

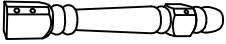
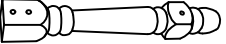


ASSEMBLY INSTRUCTION


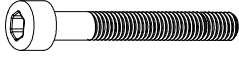



BENCH
TN-2204



Component List

LABEL		DESCRIPTION	QTY
A		Seat	1
B		Wood tray	1
C		Leg in conners	4
D		Leg in middle	2

Hardware List

LABEL		DESCRIPTION	QTY
H1		Bolts M8×50mm	6
H2		Bolts M8×60mm	12
H3		Spring washer M8	18
H4		Flat washer M8×22×1.5mm	18
H5		Allen key M8	1

