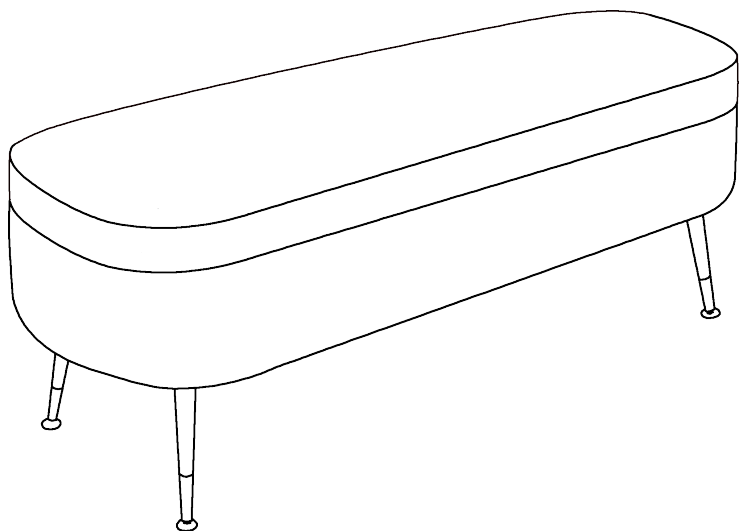
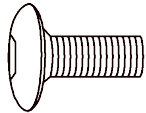



ASSEMBLY INSTRUCTION

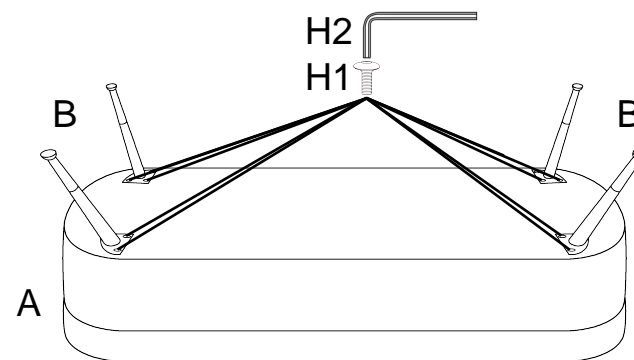


Hardware List

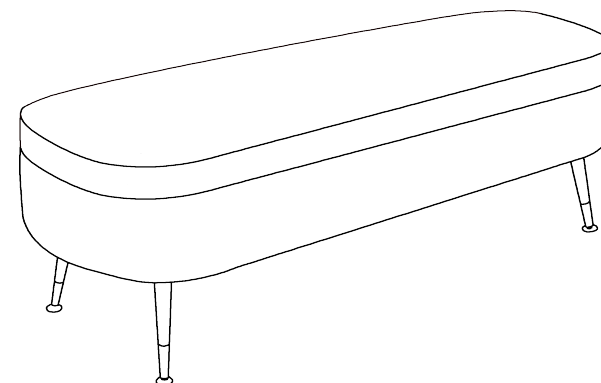
LABEL		DESCRIPTION	QTY
H1		Screw	12
H2		Allen key	1

Assembly Steps

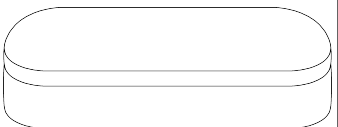

1



2



Component List

LABEL		DESCRIPTION	QTY
A		Seat	1
B		Leg	4

WARNING:
 DO NOT STAND THE PRODUCT, DO NOT USE THIS PRODUCT AS A STEP LADDER.
 DO NOT USE THIS PRODUCT UNLESS ALL BOLTS, SCREWS AND KNOBS ARE FIRMLY SECURED.
 PLEASE DO NOT USE KNIFE TO OPEN ANY PARTS OR THE BOX OR PRODUCT