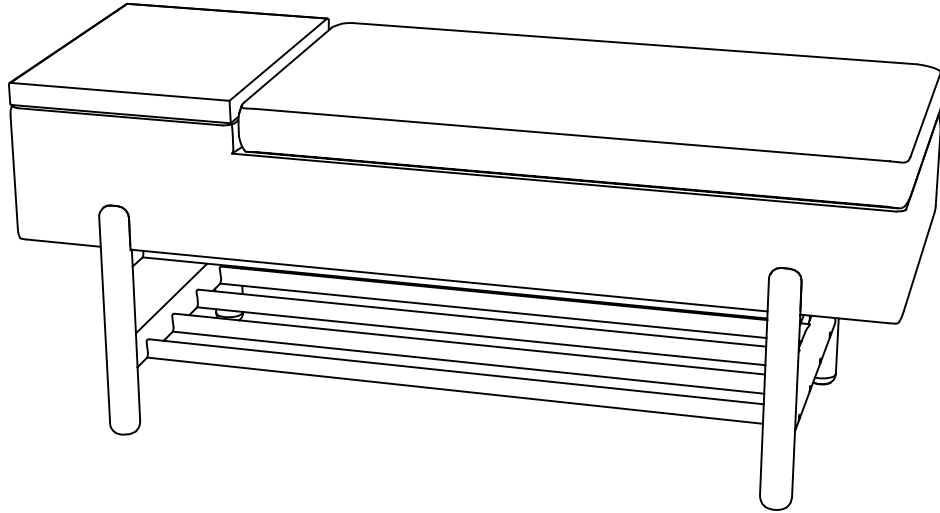
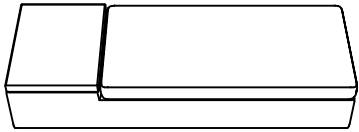
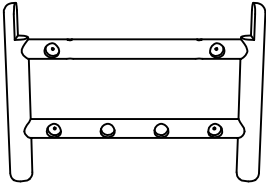
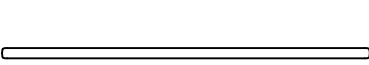


ASSEMBLY INSTRUCTION

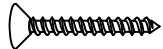



Storage bench
TN-2541



Component List

LABEL		DESCRIPTION	QTY
A		Seat	1
B		Leg	2
C		Wood cross	6

Hardware List

LABEL		DESCRIPTION	QTY
H1		Screws M4×30mm	8
H2		Bolts M6×40mm	4
H3		Allen key M6	1
H4		Screwdriver	1

