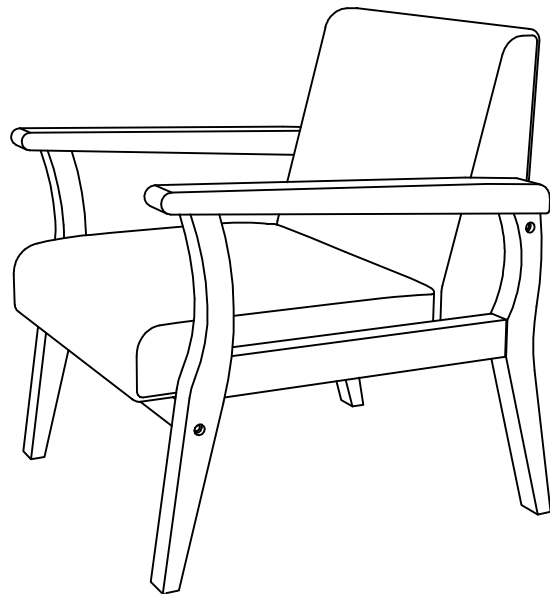
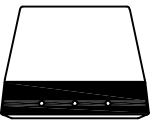

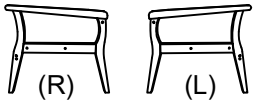
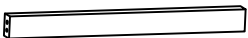


ASSEMBLY INSTRUCTION

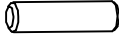

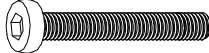



Arm chair
TN-3461



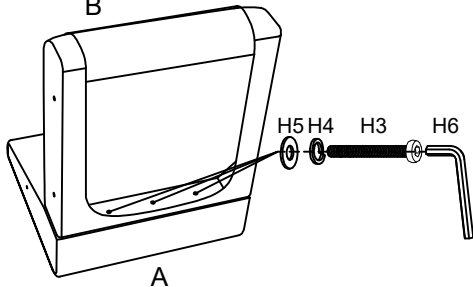
Component List

LABEL		DESCRIPTION	QTY
A		Back	1
B		Seat	1
C		Arm	1
D		Crossbar	1

Hardware List

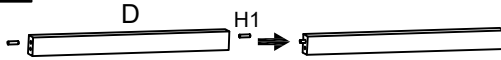
LABEL		DESCRIPTION	QTY
H1		Dowel M10*40mm	2
H2		Bolts M6*60mm	4
H3		Bolts M8*50mm	7
H4		Spring washer M8	7
H5		Flat washer M8*22*1.5mm	7
H6		Allen key M8	1

1

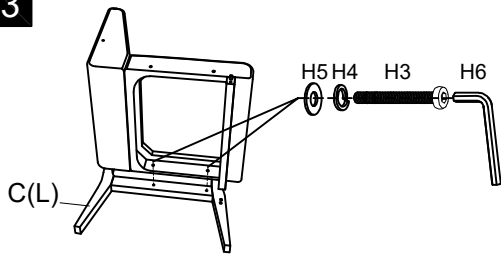


Tighten the screws to 80% tight.

2

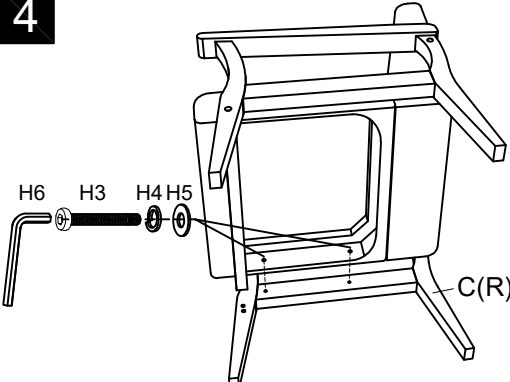


3



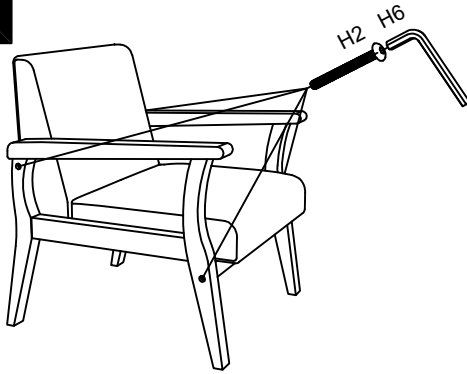
Tighten the screws to 80% tight.

4



Tighten the screws to 80% tight.

5



Adjust the chair legs until level, then fully tighten all the screws.