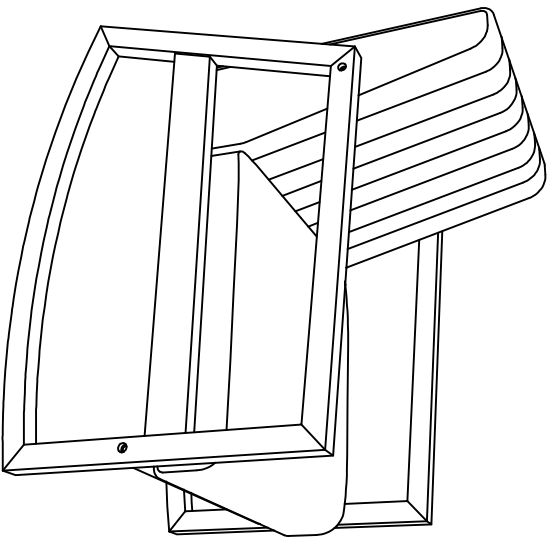


ASSEMBLY INSTRUCTION

Arm chair
TN-3507



Component List

LABEL	DESCRIPTION	QTY
A	Back	1
B	Seat	1
C	Arm	1
D	Crossbar	1

Hardware List

LABEL	DESCRIPTION	QTY
H1	Dowel M10*40mm	2
H2	Bolts M6x45mm	4
H3	Bolts M8x50mm	7
H4	Spring washer M8	7
H5	Flat washer M8x22x1.5mm	7
H6	Allen key M8	1

1

Tighten the screws to 80% tight.

2

Tighten the screws to 80% tight.

3

Tighten the screws to 80% tight.

4

Tighten the screws to 80% tight.

5

Adjust the chair legs until level, then fully tighten all the screws.

6