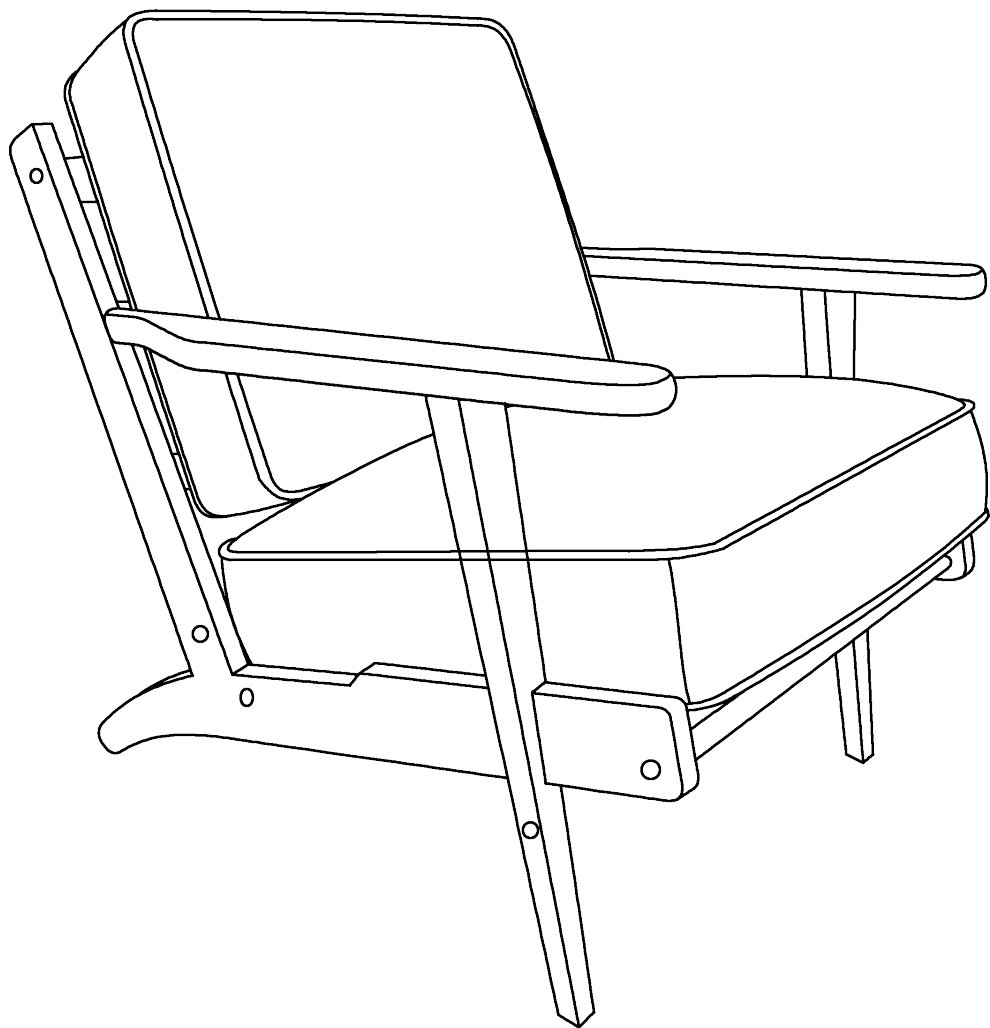
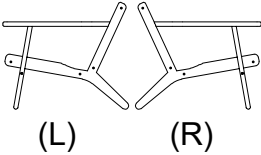
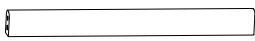
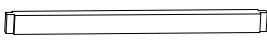
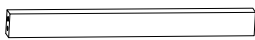
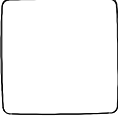
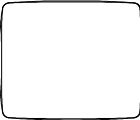


ASSEMBLY INSTRUCTION

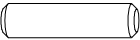
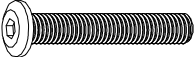

TN-3649



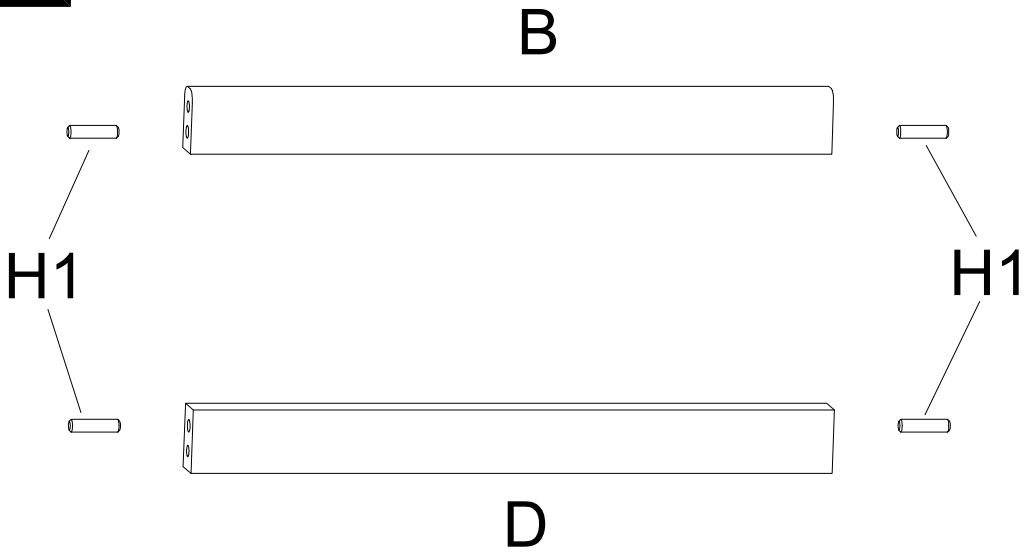
Component List

LABEL		DESCRIPTION	QTY
A		Arm	2
B		Wood crosspiea	2
C		Wood crosspiea	4
D		Wood crosspiea	3
E		Back cushion	1
F		Seat cushion	1

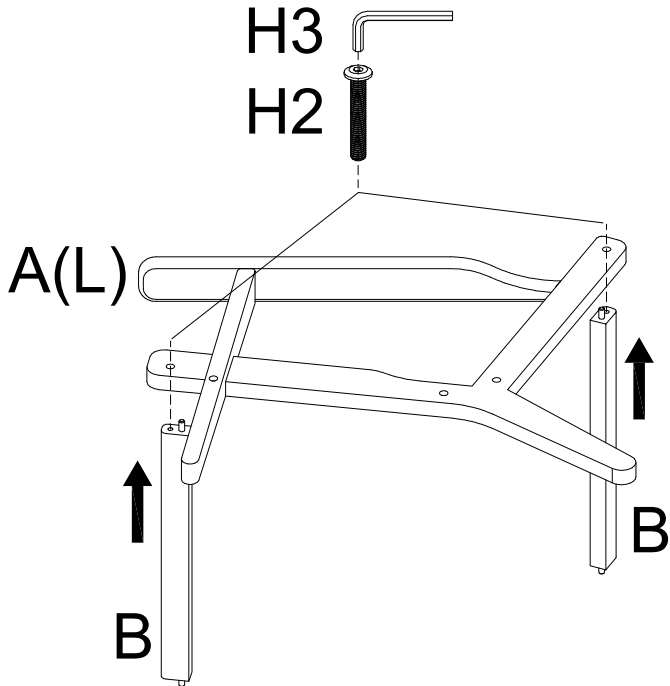
Hardware List

LABEL		DESCRIPTION	QTY
H1		Wood pin	10
H2		SCREW M6*45mm	10
H3		Allen key M6	1

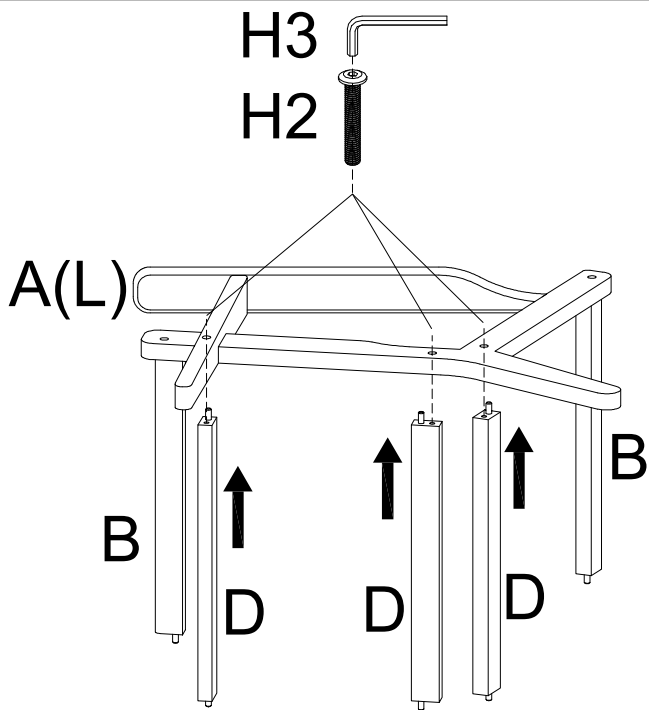
1



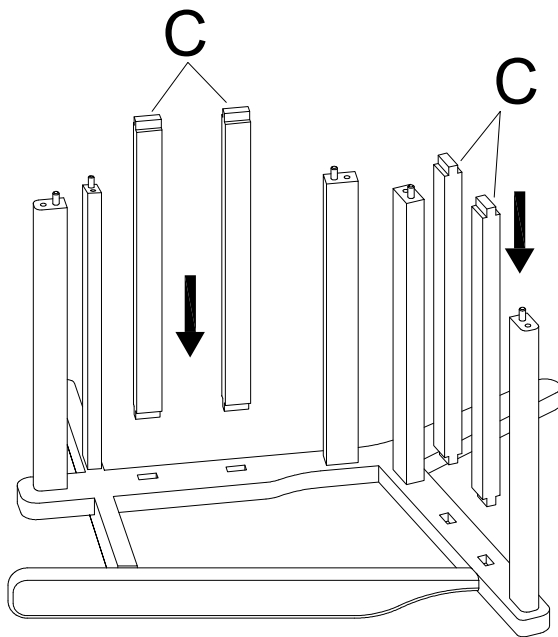
2



3

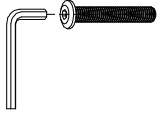


4

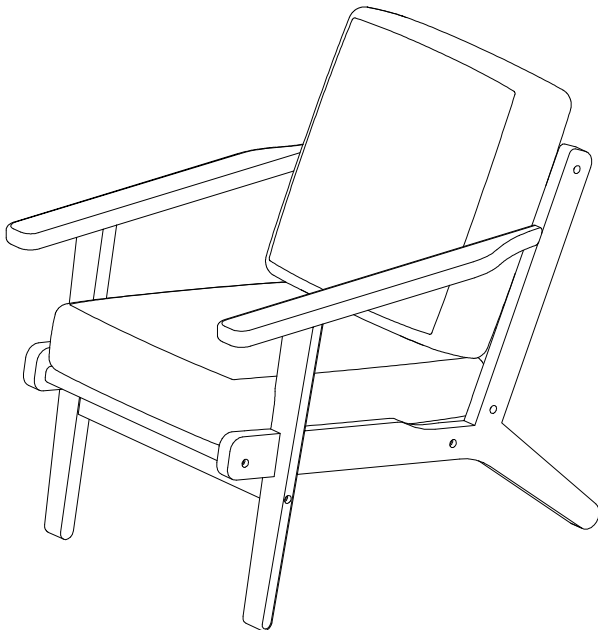


5

H3 H2



A(R)



6