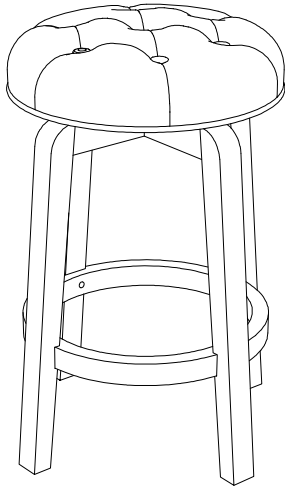
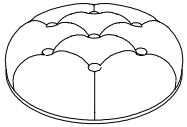
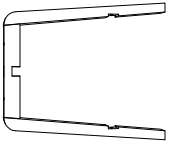
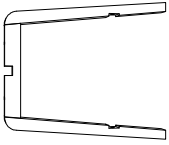
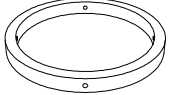


ASSEMBLY INSTRUCTION

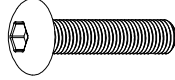
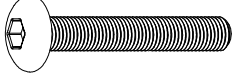

TN-5490



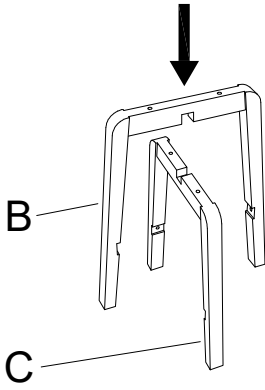
Component List

LABEL		DESCRIPTION	QTY
A		Seat	1
B		Leg	1
C		Leg	1
D		Foot rest	1

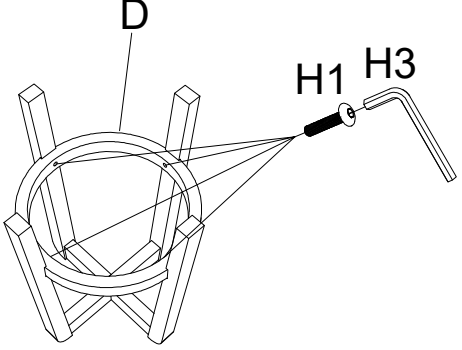
Hardware List

LABEL		DESCRIPTION	QTY
H1		SCREW M6×35mm	4
H2		SCREW M6×50mm	4
H3		Allen key M6	1

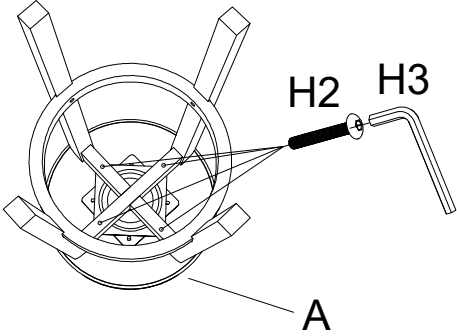
1



2



3



4

