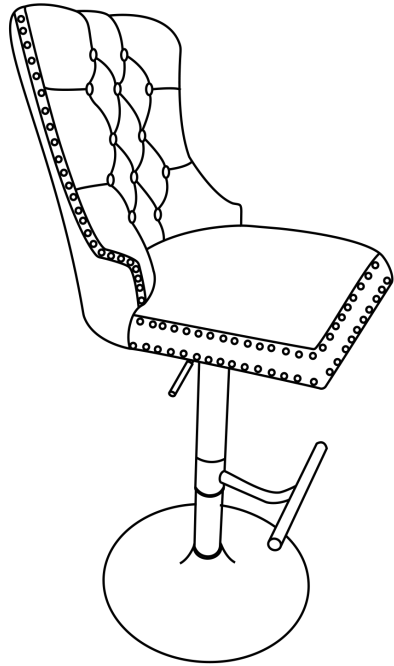
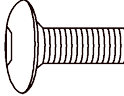



ASSEMBLY INSTRUCTION

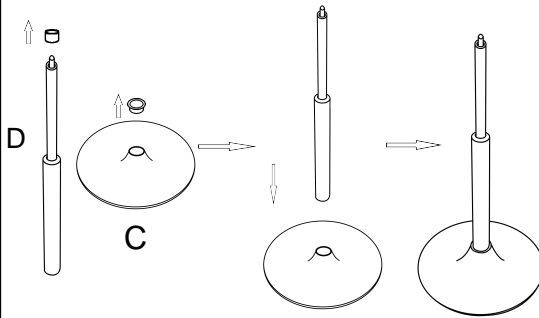


Hardware List

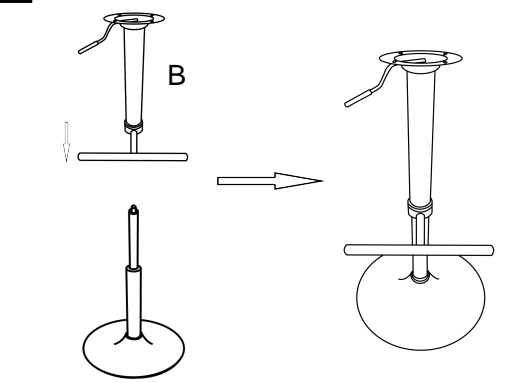
LABEL		DESCRIPTION	QTY
H1		Screw M6x16mm	4
H2		Allen key M6	1

Assembly Steps

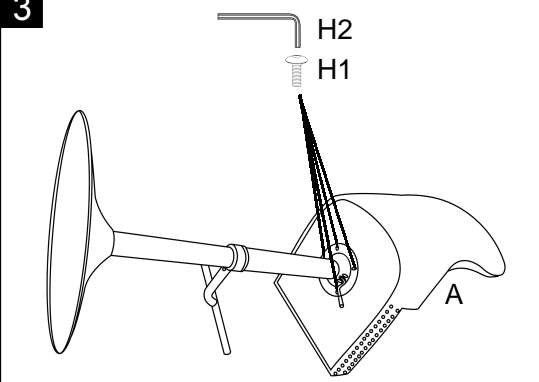
1 Remove the blackcap first




2



3


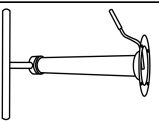
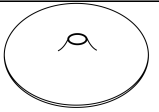
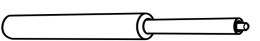


4



WARNING:
 DO NOT STAND THE PRODUCT, DO NOT USE THIS PRODUCT AS A STEP LADDER.
 DO NOT USE THIS PRODUCT UNLESS ALL BOLTS, SCREWS AND KNOBS ARE FIRMLY SECURED.
 PLEASE DO NOT USE KNIFE TO OPEN ANY PARTS OR THE BOX OR PRODUCT

Component List

LABEL		DESCRIPTION	QTY
A		Seat	1
B		Footrest	1
C		Base	1
D		Gaslift	1