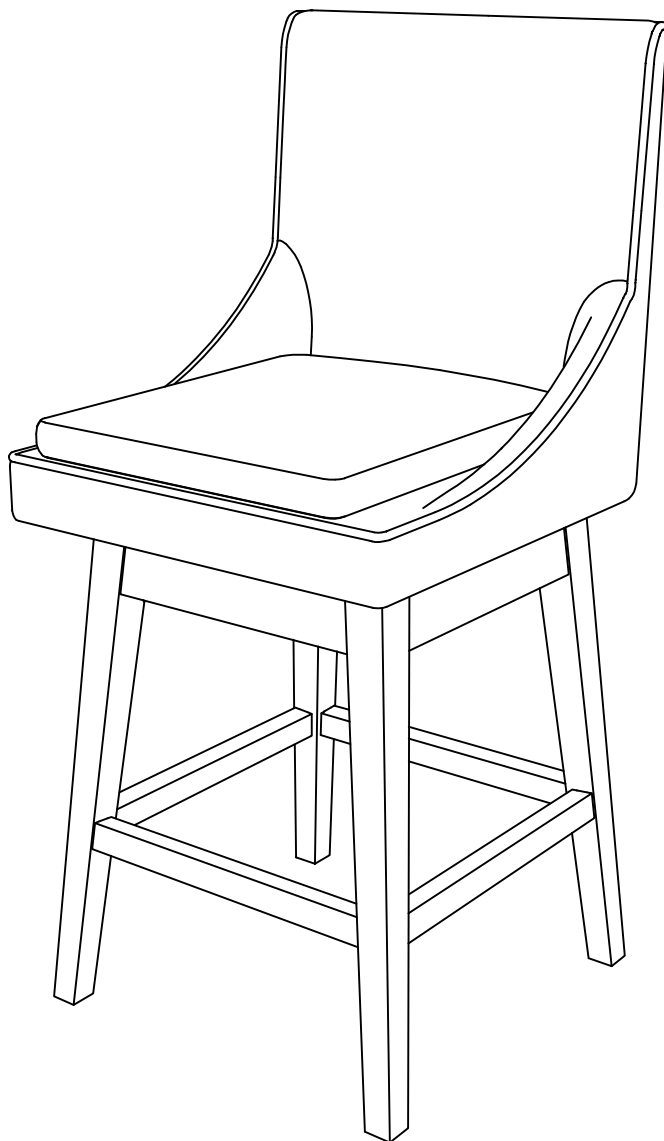


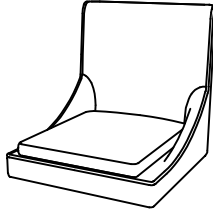
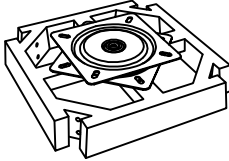
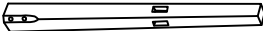
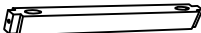
# ASSEMBLY INSTRUCTION

Counter stool



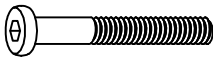


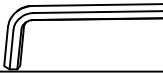

TN-5670

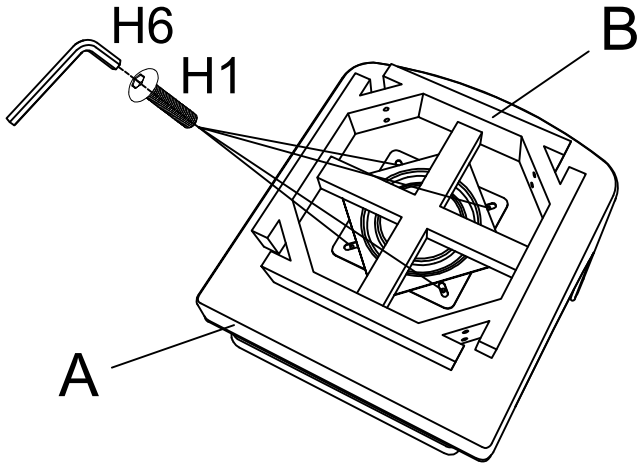
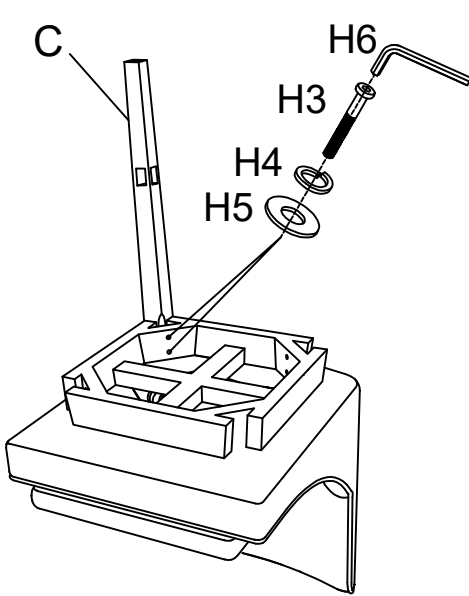


# Component List

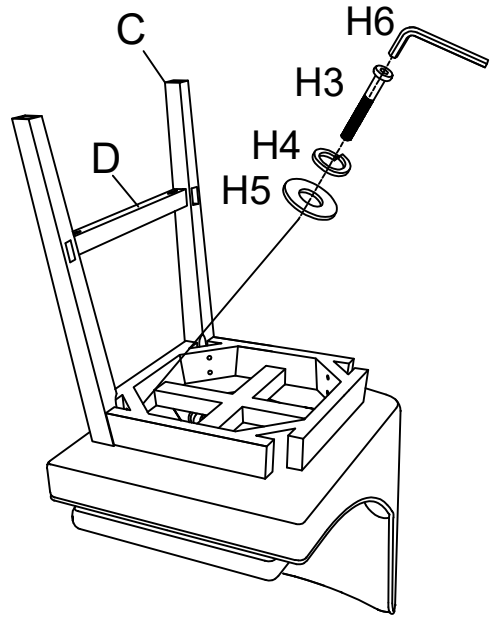
LABEL		DESCRIPTION	QTY
A		Seat	1
B		Seat frame	1
C		Leg	4
D		Cross bar	4

# Hardware List

LABEL		DESCRIPTION	QTY
H1		Bolts M6×30mm	4
H2		Screw M4×45mm	8
H3		Bolts M8×60mm	8
H4		Spring washer M8	8
H5		Flat washer M8×22×1.5mm	8
H6		Allen key M6	1
H7		Screwdriver	1

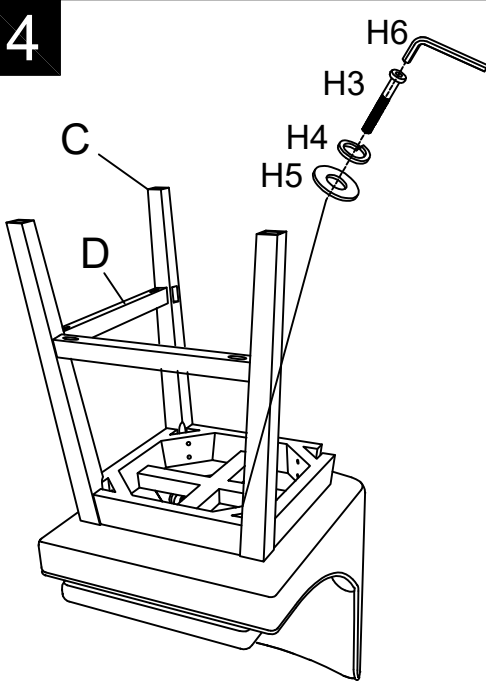
**1****2**

Tighten the screws to 80% tightness.

**3**

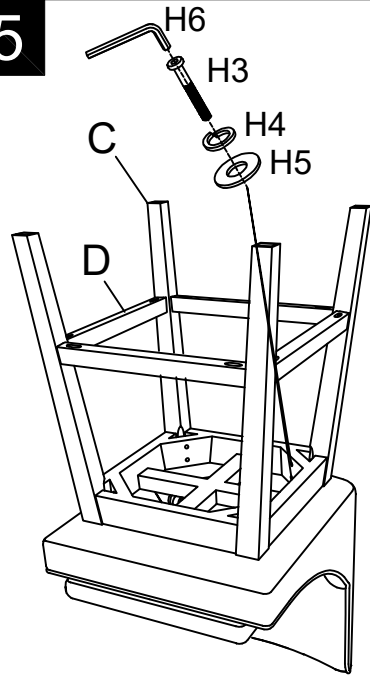
Tighten the screws to 80% tightness.

4



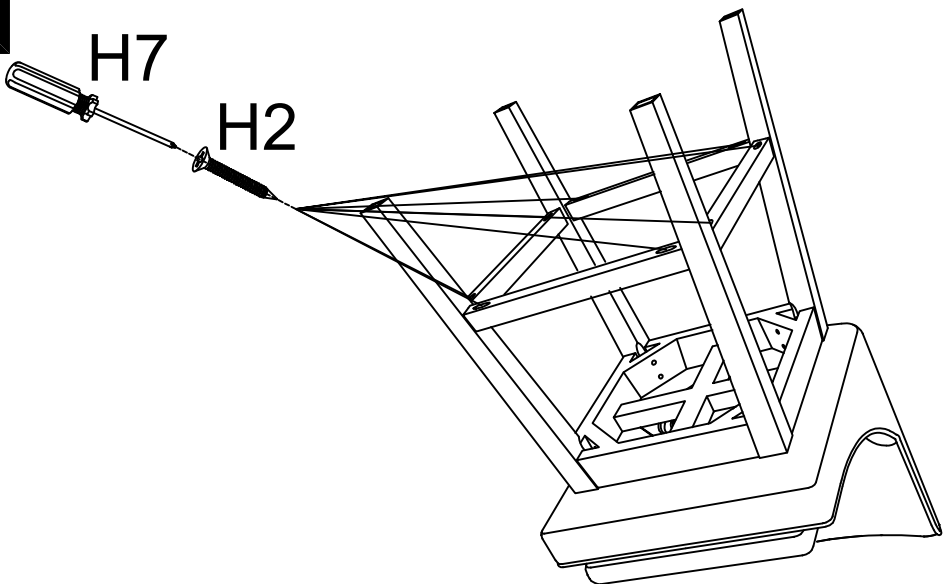
Tighten the screws to 80% tightness.

5



Tighten the screws to 80% tightness.

6



Adjust the chair so that it is leveled, then fully tighten all the screws.