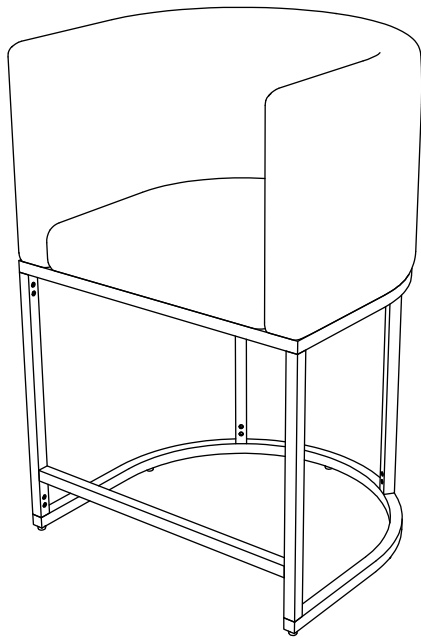


ASSEMBLY INSTRUCTION

TN-5690 Stool



SIZE GUIDE

Before you start the assembly, we recommend you to check if the height fits your tabletop against diagram below.

To return or replace, contact us to get pre-paid return label: care@vescasa.com

32" H SEAT

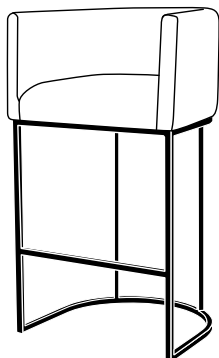
Arm Height:

39.6" H

Fits Tabletop:

41" - 44" H

*Arms can't go under
tabletop lower than **41"**



29" H SEAT

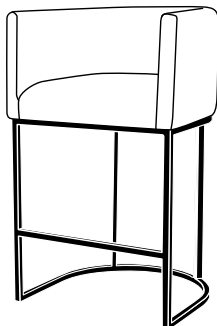
Arm Height:

36.6" H

Fits Tabletop:

38" - 42" H

*Arms can't go under
tabletop lower than **38"**



24" H SEAT

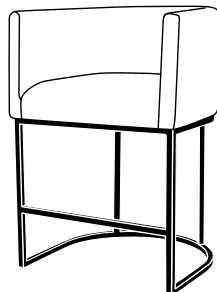
Arm Height:

31.6" H

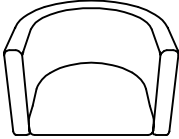
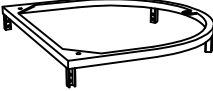
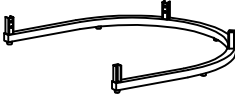
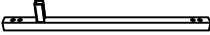


Fits Tabletop:

34" - 39" H

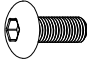
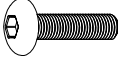



*Arms can't go under
tabletop lower than **34"**



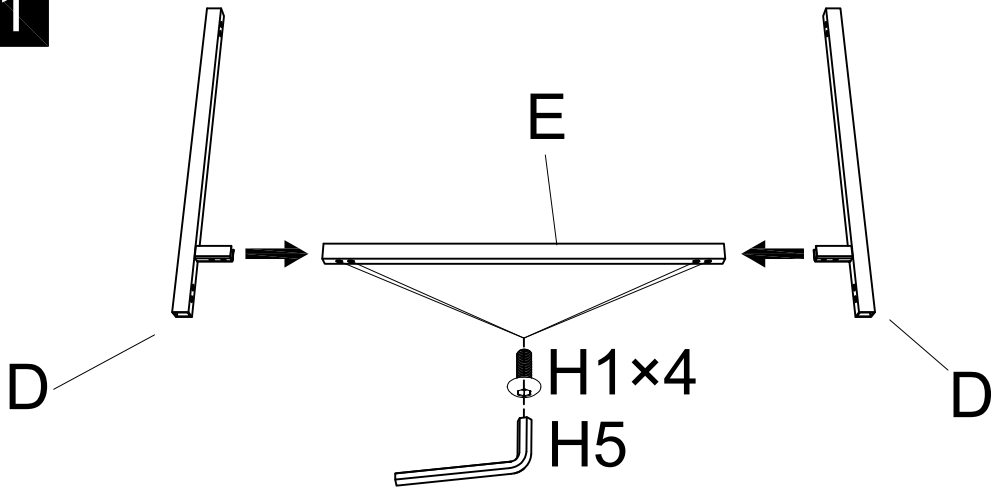
Component List

LABEL		DESCRIPTION	QTY
A		Seat	1
B		Top frame	1
C		Bottom frame	1
D		Cross bar	2
E		Cross bar	1
F		Cross bar	2

Hardware List

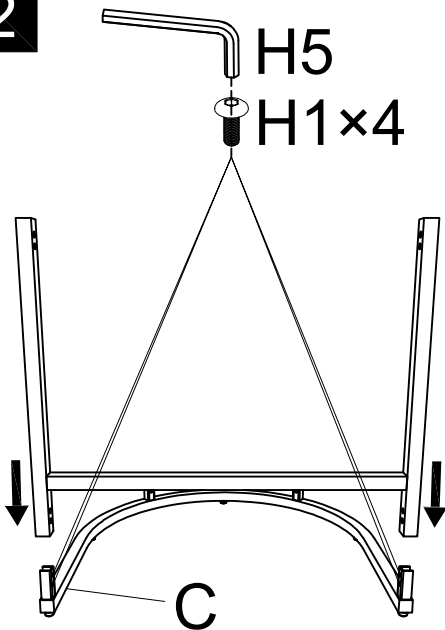
LABEL		DESCRIPTION	QTY
H1		Bolts M6×15mm	20
H2		Bolts M6×25mm	3
H3		Spring washer M8	3
H4		Flat washer M8×22×1.5mm	3
H5		Allen key M6	1

1



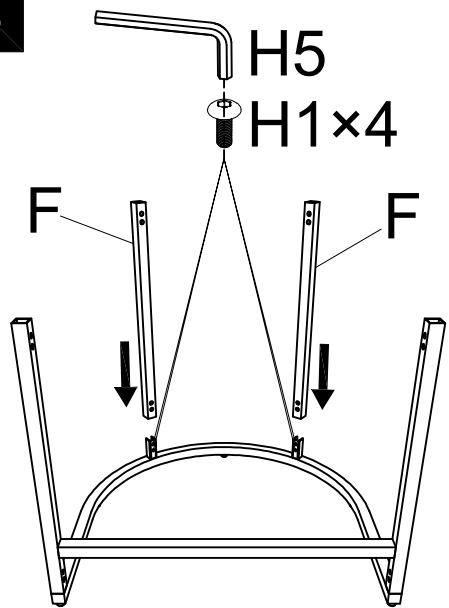
Tighten the screws to 80% tightness

2

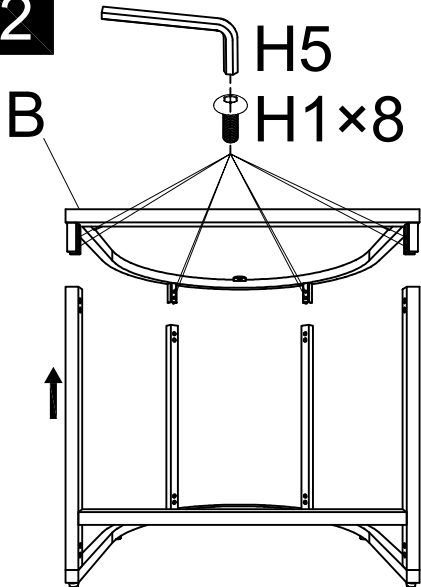


Tighten the screws to 80% tightness.

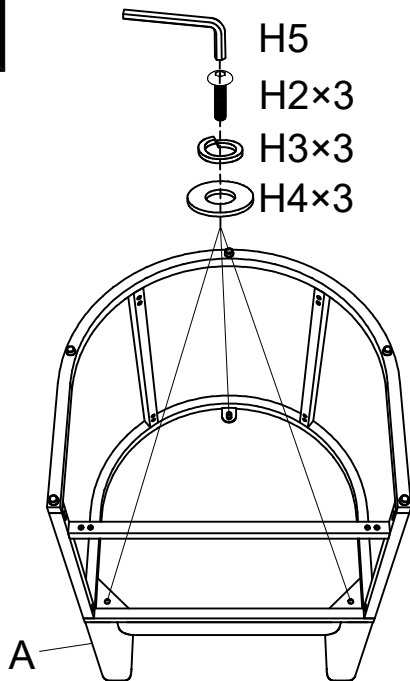
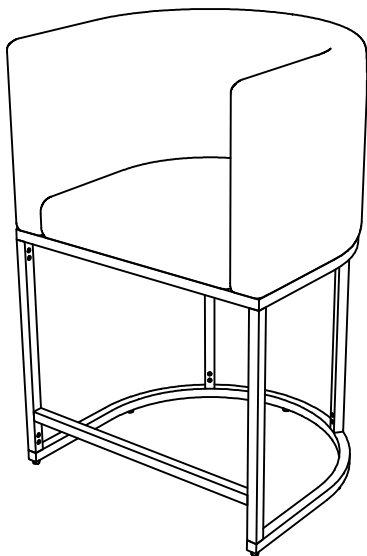
3



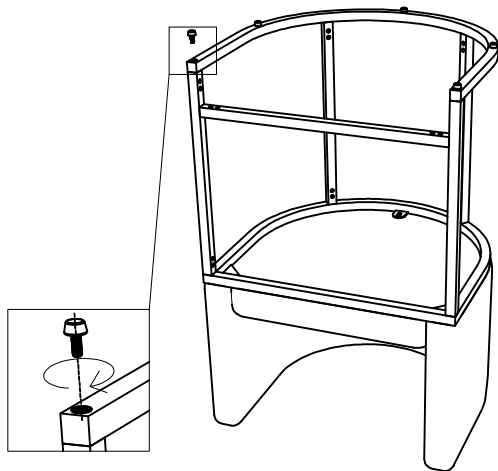
Tighten the screws to 80% tightness.

2

Tighten the screws to 80% tightness.

3**4**

Adjust the chair so that it is leveled, then fully tighten all the screws.

5

When needed, adjust the height of feet glides to help level the chair.