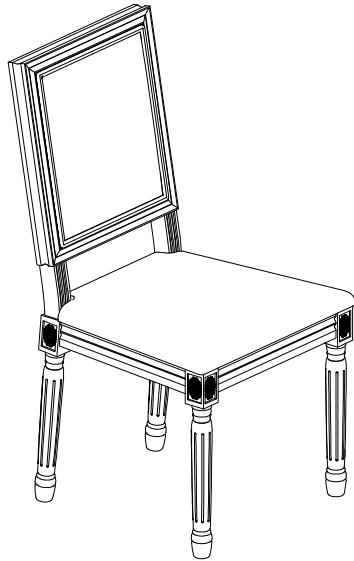
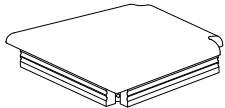
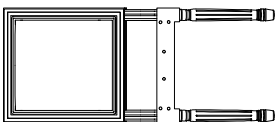



ASSEMBLY INSTRUCTION


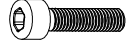




TN-7106



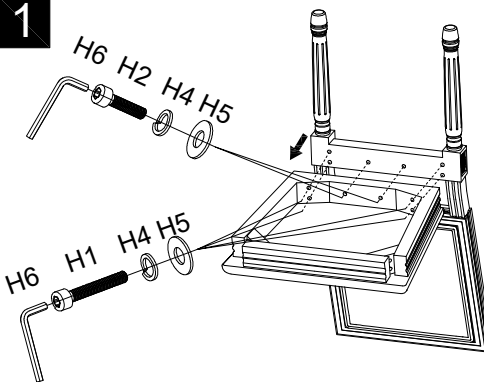
Component List

LABEL	DESCRIPTION	QTY
A	 Seat	1
B	 Back	1
C	 Front leg	2

Hardware List

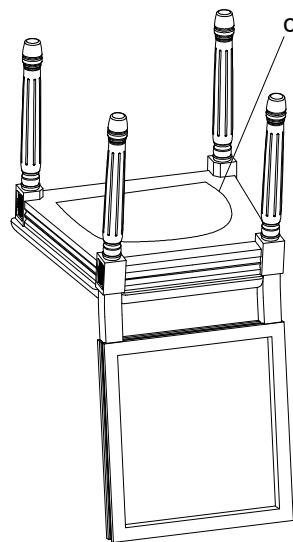
LABEL	DESCRIPTION	QTY
H1	 SCREW M8×85mm	4
H2	 SCREW M8×50mm	2
H3	 SCREW M8×60mm	4
H4	 Spring washer M8	10
H5	 Flat washer M8×22×1.5mm	10
H6	 Allen key M8	1

1



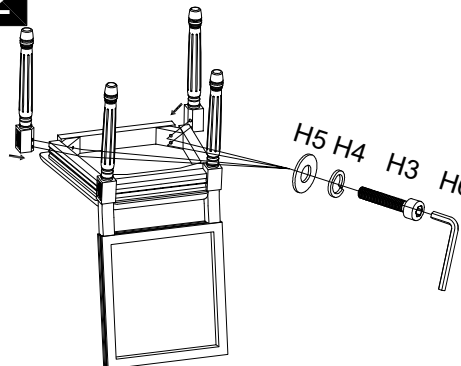
Tighten the screws to 80% tight.

3



close the zipper

2



Tighten the screws to 80% tight.

Adjust the chair legs until level, then fully tighten all the screws.