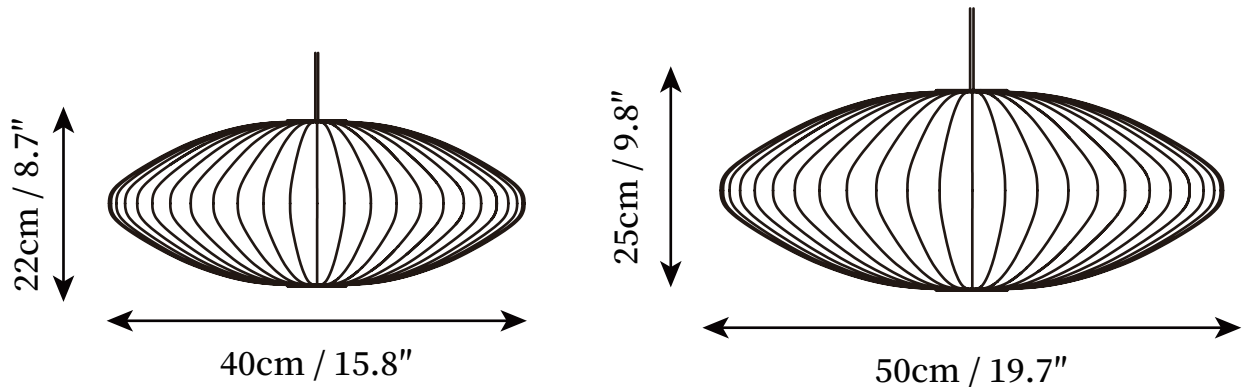


Nelson Bubble Pendant Lamp



SPECIFICATION SHEET



DESCRIPTION

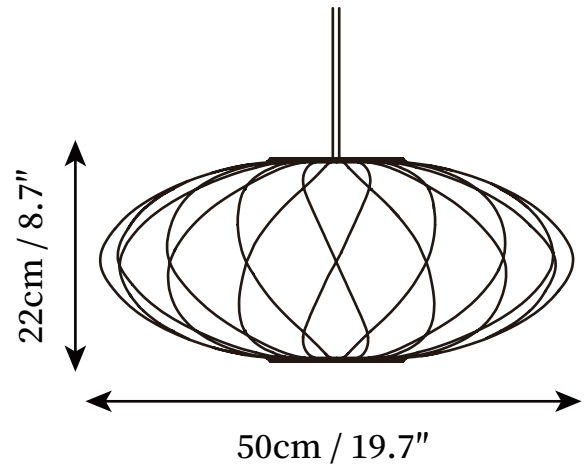
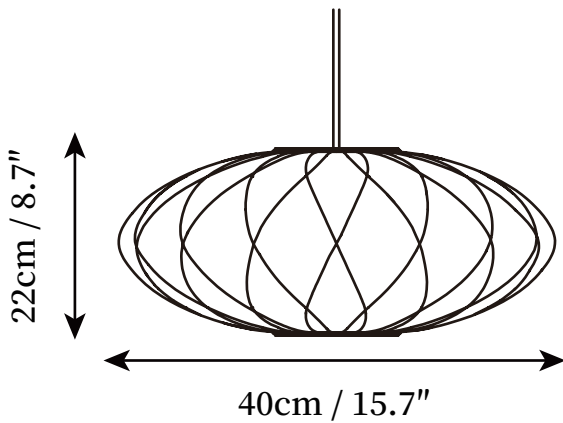
The Nelson Ball Crisscross Bubble Pendant is based on the original 1952 design by the ingenious and resourceful George Nelson. Utilizing U.S. military techniques and surplus supplies after the Second World War, he was able to create the first set of Nelson Bubble Lamps; covering them in a translucent white plastic spray which results in a soft, organic aesthetic when illuminated.

SPECIFICATION DETAILS

*For custom options, consult factory for details

Fixture Dimensions	As the picture shows
Light source	E27
Wattage	Max 40W
Voltage	AC 110-240V
Color Temperature	Based on the purchase of light bulbs
CRI(Ra)	80CRI
Mounting	Ceiling
Driver Required	NO
Optional Color Temps	Buy bulbs as needed
LED Rated Life	Based on bulb life (we do not supply bulbs)
Dimming	Dimming is not supported
Finishes	White
Shade Details	White
Material	Polymer, Steel wire
Wire Length	59"
Wire Type	White Coaxial Wire
Warranty	2 Years

SPECIFICATION SHEET



DESCRIPTION

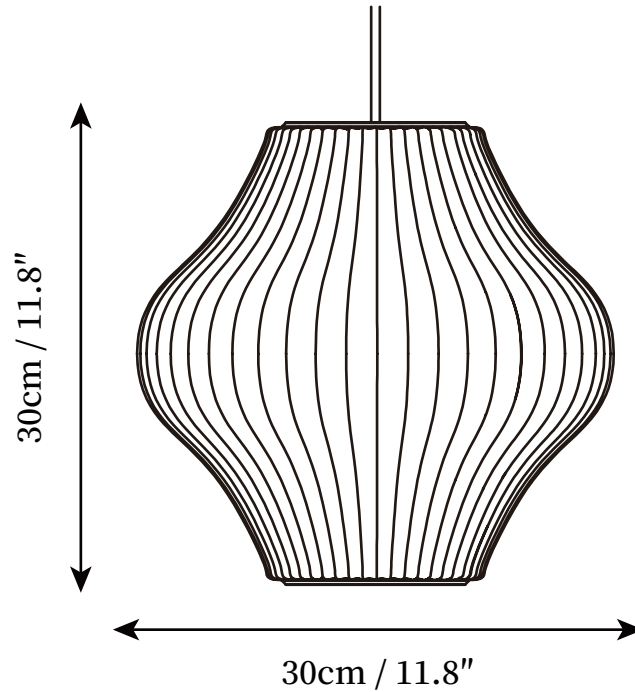
The Nelson Ball Crisscross Bubble Pendant is based on the original 1952 design by the ingenious and resourceful George Nelson. Utilizing U.S. military techniques and surplus supplies after the Second World War, he was able to create the first set of Nelson Bubble Lamps; covering them in a translucent white plastic spray which results in a soft, organic aesthetic when illuminated.

SPECIFICATION DETAILS

*For custom options, consult factory for details

Fixture Dimensions	As the picture shows
Light source	E27
Wattage	Max 40W
Voltage	AC 110-240V
Color Temperature	Based on the purchase of light bulbs
CRI(Ra)	80CRI
Mounting	Ceiling
Driver Required	NO
Optional Color Temps	Buy bulbs as needed
LED Rated Life	Based on bulb life (we do not supply bulbs)
Dimming	Dimming is not supported
Finishes	White
Shade Details	White
Material	Polymer, Steel wire
Wire Length	59"
Wire Type	White Coaxial Wire
Warranty	2 Years

SPECIFICATION SHEET



DESCRIPTION

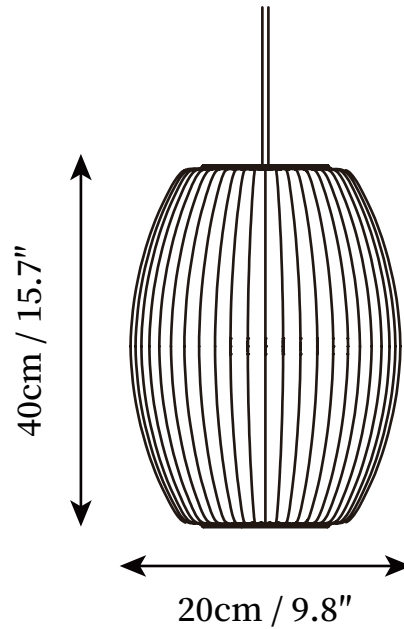
The Nelson Ball Crisscross Bubble Pendant is based on the original 1952 design by the ingenious and resourceful George Nelson. Utilizing U.S. military techniques and surplus supplies after the Second World War, he was able to create the first set of Nelson Bubble Lamps; covering them in a translucent white plastic spray which results in a soft, organic aesthetic when illuminated.

SPECIFICATION DETAILS

*For custom options, consult factory for details

Fixture Dimensions	As the picture shows
Light source	E27
Wattage	Max 40W
Voltage	AC 110-240V
Color Temperature	Based on the purchase of light bulbs
CRI(Ra)	80CRI
Mounting	Ceiling
Driver Required	NO
Optional Color Temps	Buy bulbs as needed
LED Rated Life	Based on bulb life (we do not supply bulbs)
Dimming	Dimming is not supported
Finishes	White
Shade Details	White
Material	Polymer, Steel wire
Wire Length	59"
Wire Type	White Coaxial Wire
Warranty	2 Years

SPECIFICATION SHEET



DESCRIPTION

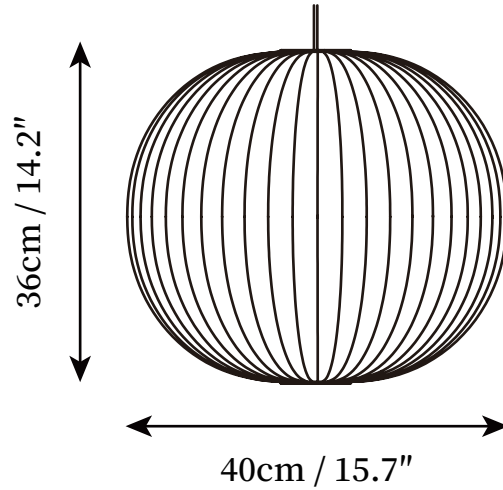
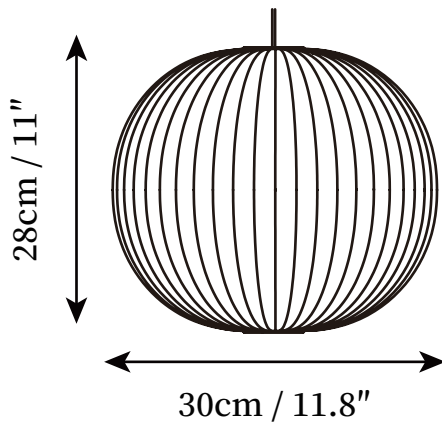
The Nelson Ball Crisscross Bubble Pendant is based on the original 1952 design by the ingenious and resourceful George Nelson. Utilizing U.S. military techniques and surplus supplies after the Second World War, he was able to create the first set of Nelson Bubble Lamps; covering them in a translucent white plastic spray which results in a soft, organic aesthetic when illuminated.

SPECIFICATION DETAILS

*For custom options, consult factory for details

Fixture Dimensions	As the picture shows
Light source	E27
Wattage	Max 40W
Voltage	AC 110-240V
Color Temperature	Based on the purchase of light bulbs
CRI(Ra)	80CRI
Mounting	Ceiling
Driver Required	NO
Optional Color Temps	Buy bulbs as needed
LED Rated Life	Based on bulb life (we do not supply bulbs)
Dimming	Dimming is not supported
Finishes	White
Shade Details	White
Material	Polymer, Steel wire
Wire Length	59"
Wire Type	White Coaxial Wire
Warranty	2 Years

SPECIFICATION SHEET



DESCRIPTION

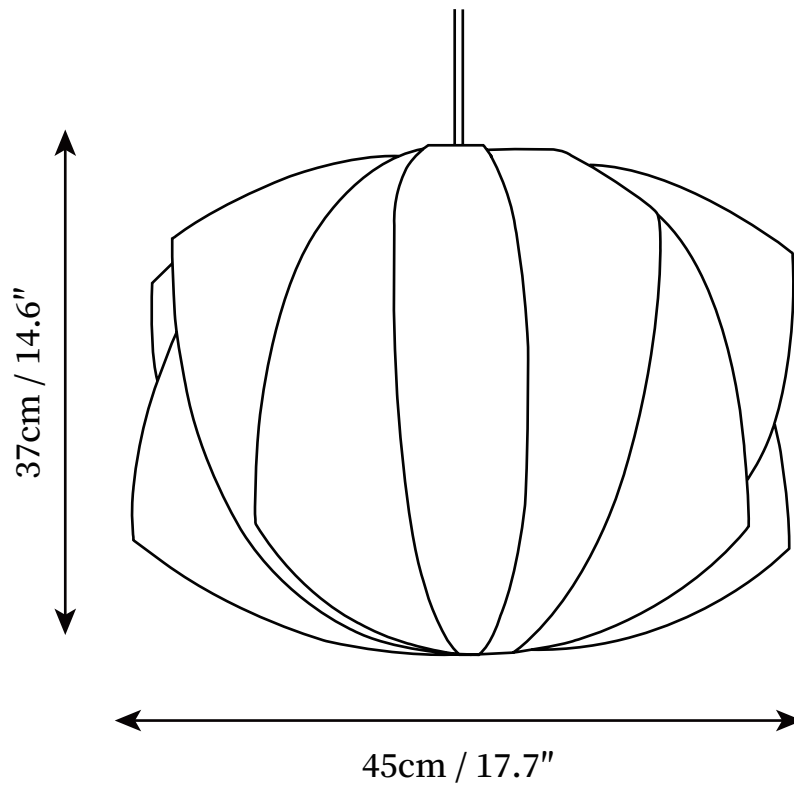
The Nelson Ball Crisscross Bubble Pendant is based on the original 1952 design by the ingenious and resourceful George Nelson. Utilizing U.S. military techniques and surplus supplies after the Second World War, he was able to create the first set of Nelson Bubble Lamps; covering them in a translucent white plastic spray which results in a soft, organic aesthetic when illuminated.

SPECIFICATION DETAILS

*For custom options, consult factory for details

Fixture Dimensions	As the picture shows
Light source	E27
Wattage	Max 40W
Voltage	AC 110-240V
Color Temperature	Based on the purchase of light bulbs
CRI(Ra)	80CRI
Mounting	Ceiling
Driver Required	NO
Optional Color Temps	Buy bulbs as needed
LED Rated Life	Based on bulb life (we do not supply bulbs)
Dimming	Dimming is not supported
Finishes	White
Shade Details	White
Material	Polymer, Steel wire
Wire Length	59"
Wire Type	White Coaxial Wire
Warranty	2 Years

SPECIFICATION SHEET



DESCRIPTION

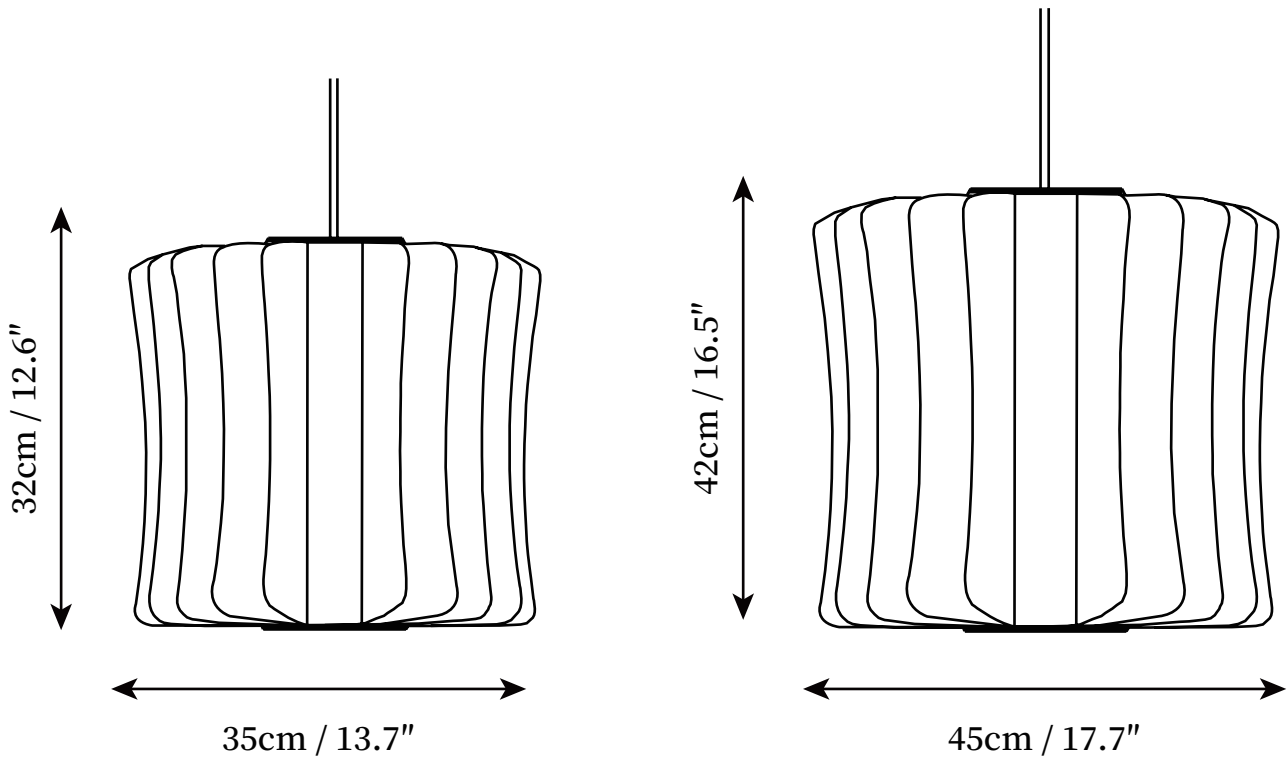
The Nelson Ball Crisscross Bubble Pendant is based on the original 1952 design by the ingenious and resourceful George Nelson. Utilizing U.S. military techniques and surplus supplies after the Second World War, he was able to create the first set of Nelson Bubble Lamps; covering them in a translucent white plastic spray which results in a soft, organic aesthetic when illuminated.

SPECIFICATION DETAILS

*For custom options, consult factory for details

Fixture Dimensions	As the picture shows
Light source	E27
Wattage	Max 40W
Voltage	AC 110-240V
Color Temperature	Based on the purchase of light bulbs
CRI(Ra)	80CRI
Mounting	Ceiling
Driver Required	NO
Optional Color Temps	Buy bulbs as needed
LED Rated Life	Based on bulb life (we do not supply bulbs)
Dimming	Dimming is not supported
Finishes	White
Shade Details	White
Material	Polymer, Steel wire
Wire Length	59"
Wire Type	White Coaxial Wire
Warranty	2 Years

SPECIFICATION SHEET



DESCRIPTION

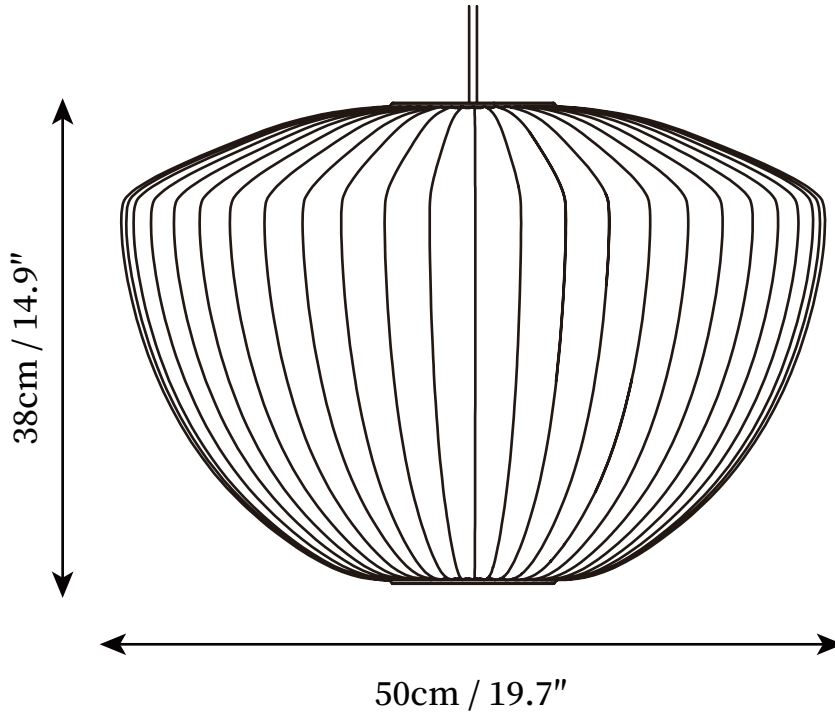
The Nelson Ball Crisscross Bubble Pendant is based on the original 1952 design by the ingenious and resourceful George Nelson. Utilizing U.S. military techniques and surplus supplies after the Second World War, he was able to create the first set of Nelson Bubble Lamps; covering them in a translucent white plastic spray which results in a soft, organic aesthetic when illuminated.

SPECIFICATION DETAILS

*For custom options, consult factory for details

Fixture Dimensions	As the picture shows
Light source	E27
Wattage	Max 40W
Voltage	AC 110-240V
Color Temperature	Based on the purchase of light bulbs
CRI(Ra)	80CRI
Mounting	Ceiling
Driver Required	NO
Optional Color Temps	Buy bulbs as needed
LED Rated Life	Based on bulb life (we do not supply bulbs)
Dimming	Dimming is not supported
Finishes	White
Shade Details	White
Material	Polymer, Steel wire
Wire Length	59"
Wire Type	White Coaxial Wire
Warranty	2 Years

SPECIFICATION SHEET



DESCRIPTION

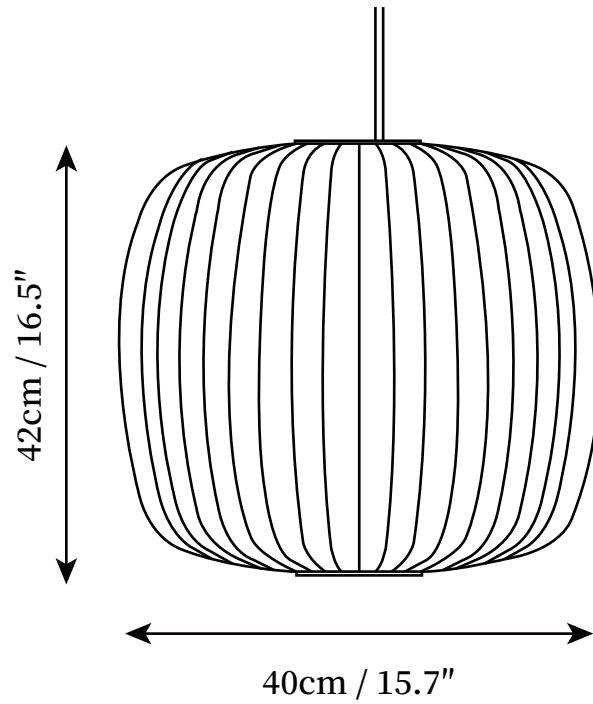
The Nelson Ball Crisscross Bubble Pendant is based on the original 1952 design by the ingenious and resourceful George Nelson. Utilizing U.S. military techniques and surplus supplies after the Second World War, he was able to create the first set of Nelson Bubble Lamps; covering them in a translucent white plastic spray which results in a soft, organic aesthetic when illuminated.

SPECIFICATION DETAILS

*For custom options, consult factory for details

Fixture Dimensions	As the picture shows
Light source	E27
Wattage	Max 40W
Voltage	AC 110-240V
Color Temperature	Based on the purchase of light bulbs
CRI(Ra)	80CRI
Mounting	Ceiling
Driver Required	NO
Optional Color Temps	Buy bulbs as needed
LED Rated Life	Based on bulb life (we do not supply bulbs)
Dimming	Dimming is not supported
Finishes	White
Shade Details	White
Material	Polymer, Steel wire
Wire Length	59"
Wire Type	White Coaxial Wire
Warranty	2 Years

SPECIFICATION SHEET



DESCRIPTION

The Nelson Ball Crisscross Bubble Pendant is based on the original 1952 design by the ingenious and resourceful George Nelson. Utilizing U.S. military techniques and surplus supplies after the Second World War, he was able to create the first set of Nelson Bubble Lamps; covering them in a translucent white plastic spray which results in a soft, organic aesthetic when illuminated.

SPECIFICATION DETAILS

*For custom options, consult factory for details

Fixture Dimensions	As the picture shows
Light source	E27
Wattage	Max 40W
Voltage	AC 110-240V
Color Temperature	Based on the purchase of light bulbs
CRI(Ra)	80CRI
Mounting	Ceiling
Driver Required	NO
Optional Color Temps	Buy bulbs as needed
LED Rated Life	Based on bulb life (we do not supply bulbs)
Dimming	Dimming is not supported
Finishes	White
Shade Details	White
Material	Polymer, Steel wire
Wire Length	59"
Wire Type	White Coaxial Wire
Warranty	2 Years