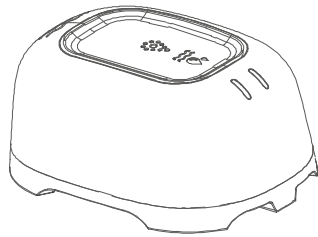




Smart Water Leak Alarm

INSTRUCTION MANUAL



Thanks for
Choosing our WiFi Smart Home Sensors

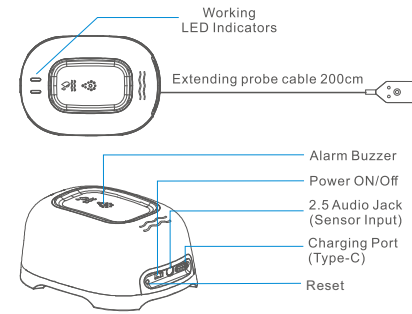
Product Overview

WLS-100w is a Wi-fi enabled wireless water leak alarm sensor. It's designed to protect your home or business from potentially costly water damage which could be prevented if discovered early on. This water detection alarm boasts a loud and powerful 100 dB alarm which will sound instantly if water bridges between the devices two contacts, and also generate alarm alerts to your enrolled phone App.

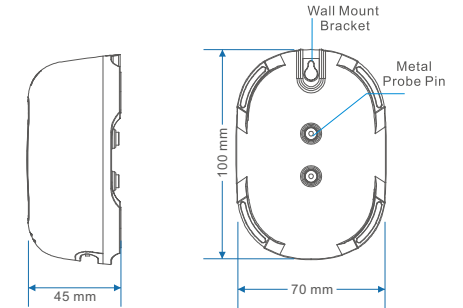
Main Features:

- Working in 2.4G Wi-Fi 802.11b/g/n
- Dual detection probe design
- Built-in 100dB Buzzer when water detected
- Working with Tuya smart App
- 1.5Year battery time
- Low Battery Alert
- Alarm alerts: sound/app MSG/(Call/SMS)
- 2 LED indicates working state

Physical Knowledge



Working LED	Smart Wi-Fi - (Green LED blink quickly) AP Mode - (Green LED blink slowly) Wi-Fi Disconnection - (Green LED blink slowly) Alarm Mode - (Red LED Blink fast) Sleeping - (LEDs are off) Low Battery - (Red LED blink slow) Reset - (RED LED lights up 4S and off. Green blink fast entering into wifi config mode)
Reset	Holding Press 5S to recovery factory Setting



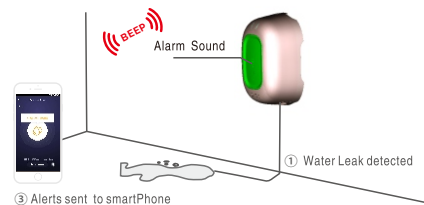
Items List

- | | |
|---|-----|
| • Water alarm sensor | 1pc |
| • Extending probe | 1pc |
| • Tool Bags (included screws,scew stoppers, Reset Pin) | 1pc |
| • User manual | 1pc |
| • Type-c Charging Cable | 1pc |

Technical Specification:

Model: WLS-100w
 Wi-fi Protocol: IEEE 802.11 b/g/n (2.4G)
 Power supply: Battery Operation, built-in 3000 -mAh Lithium battery
 Charge Input: 5V DC/1A
 Working Current: <130mA
 Standby: <7uA
 Alarm Alerts: Buzzer sound/App MSG
 Alarm Sound: 100dB @ 3Meter Distance
 Battery Time: 1.5 Year
 Unit Size: 100*70*45 mm
 Probe Cable: 200 cm
 Working Environment:0-40°C,0%-90% Hum.

How It works?

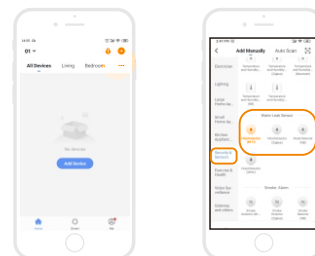


Get started with Tuya App

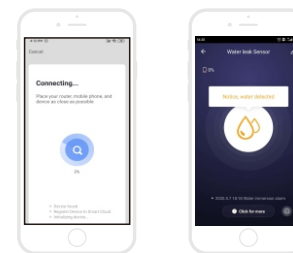


1. Install App
- Scan QR code or search "smart life" to download app.

2. Register and login
3. Add Device
- Switch Battery on and device enters into "pairing mode" automatically(with green LED blink quickly)



- Click "+" icon on the right-top corner to add device
- Select"Security Sensor>Water leak Sensor> Water leak sensor(wifi)", and follow the app guide to finish. if failed, try again same or try AP mode by press reset button 5seconds and release.



Device Installation:

The product is designed with dual leak probe.

- Place the sensor on anywhere you want to monitor water leak and expand the monitoring area by the extending probe
- If you worry water will cover the sensor, you can choose "wall-mount" way and use extending probe to do detection.