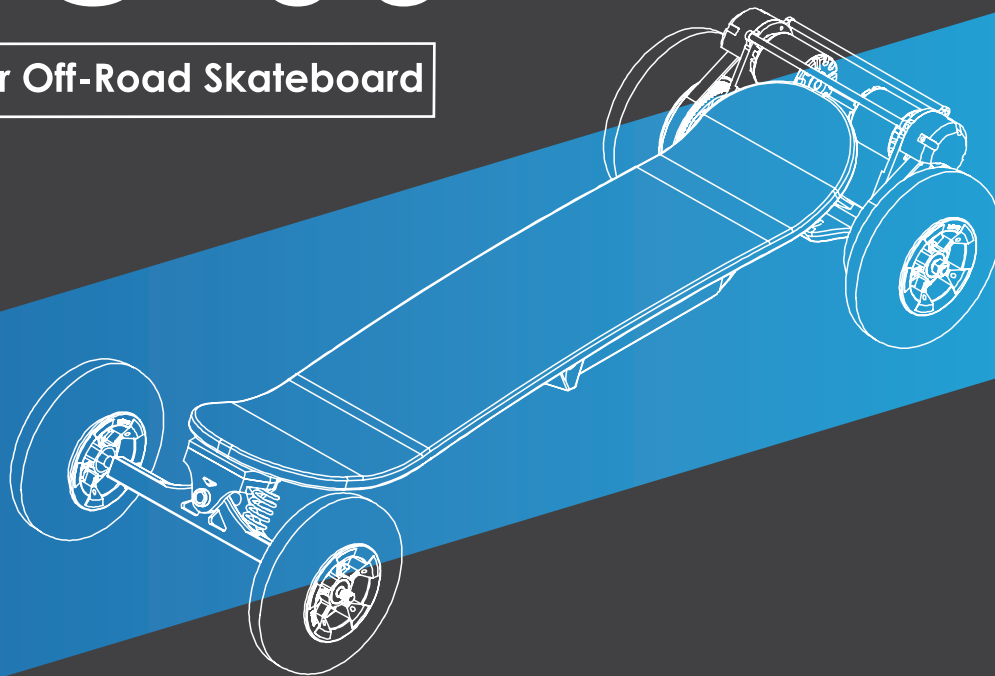


Dream Always Beyond Sky

# H2C-03

Belt Motor Off-Road Skateboard



**USER MANUAL**

# **Thank you for your purchase of our electric skateboard!**

---

Please read and understand this entire manual before riding the electric-skateboard.

Do note that electric skateboard is not a toy. Please take time to learn it and read this manual carefully. Particularly the safety instruction pages.

We hope you will enjoy this product and have lots of fun with it in the future.

---

## **Happy Riding!**

# Contents

SAFETY WARNING.....	2
ABOUT THE H2C-03.....	3
BASIC OPERATION.....	4
COMPONENTS.....	5
SPECIFICATIONS.....	6
REMOTE CONTROL DIAGRAM.....	7
PAIR INSTRUCTION.....	8
CHARGE THE REMOTE / BOARD.....	9
BATTERY SAFETY USAGE WARNINGS.....	10
ROUTINE MAINTENANCE.....	11
WARRANTY.....	12
PACKAGING LIST.....	13

# SAFETY WARNING

## **RISK OF DEATH SERIOUS INJURY**

Whenever you ride an electric skateboard, you risk death or serious injury from the loss of control, collision, and falls.

To ride safely, you must read and follow the instructions and warnings in the manual. Always wear a helmet when riding. Avoid water, wet surfaces, slippery/uneven surfaces, steep hills, traffic, cracks, tracks, gravel, rocks, or any obstacles that could cause a loss of traction and cause a fall.

Avoid night riding, areas with poor visibility, and small spaces.

## **WARNING: AVOID WATER!**

Your board is not completely waterproof. You can easily go through the puddles but don't soak the board the water. Water damage is not covered under the warranty

## **WARNING: PINCH POINTS!**

Keep fingers, hair, and clothing away from belts, motors, wheels, and all moving parts.

## **WARNING: RISK OF ELECTRIC SHOCK!**

Do not open or tamper with electronics housing, which also voids the warranty.

# ABOUT THE H2C-03

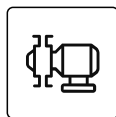
The H2C-03 Belt Motor Off-Road electric skateboard is created for electric skateboard enthusiasts.

The H2C-03 off-road electric skateboard is an electric skateboard that can be ridden on rough terrains such as dirt, gravel and grass. It will bring customers an x-sport entertainment experience and a convenient lifestyle.

## Features



Top Speed 28MPH



Power:1 650Wx2



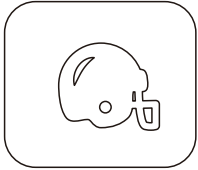
Battery: 1000mAh



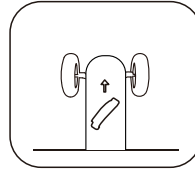
Max Mileage: 22KM

# Basic Operation

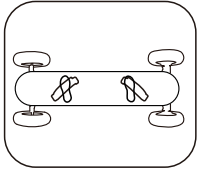
It is important to make sure you're comfortable and ensure you're riding with the correct stance.



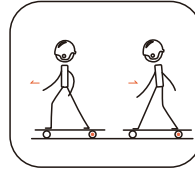
1. Be sure that wear a helmet and safety gear when you ride it



2. Confirm the front direction of the skateboard



3. Confirm the position on the skateboard, the feet stand on the widest front and back skateboard.

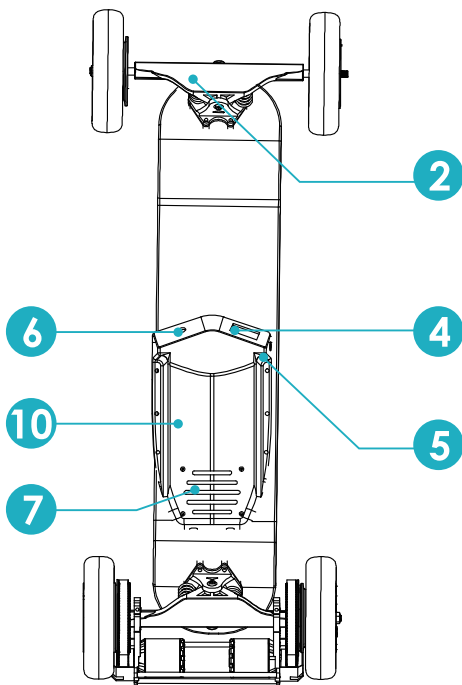
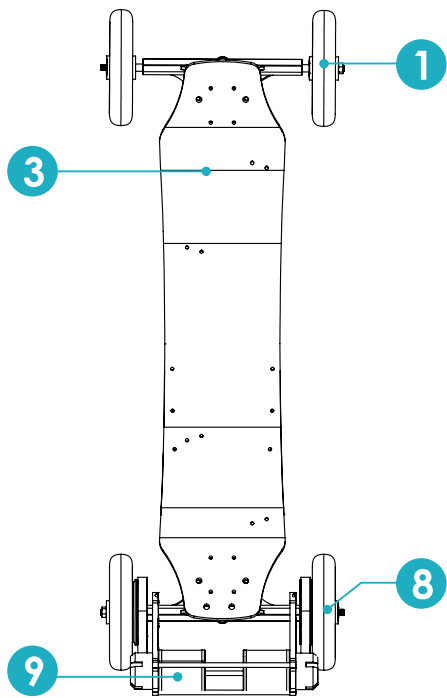


4. Please stop riding by remote control brake operation, then get down your front foot at first and then get down your back foot.



5. Please stop riding by remote control brake operation, then get down your front foot at first and then get down your back foot.

# Components



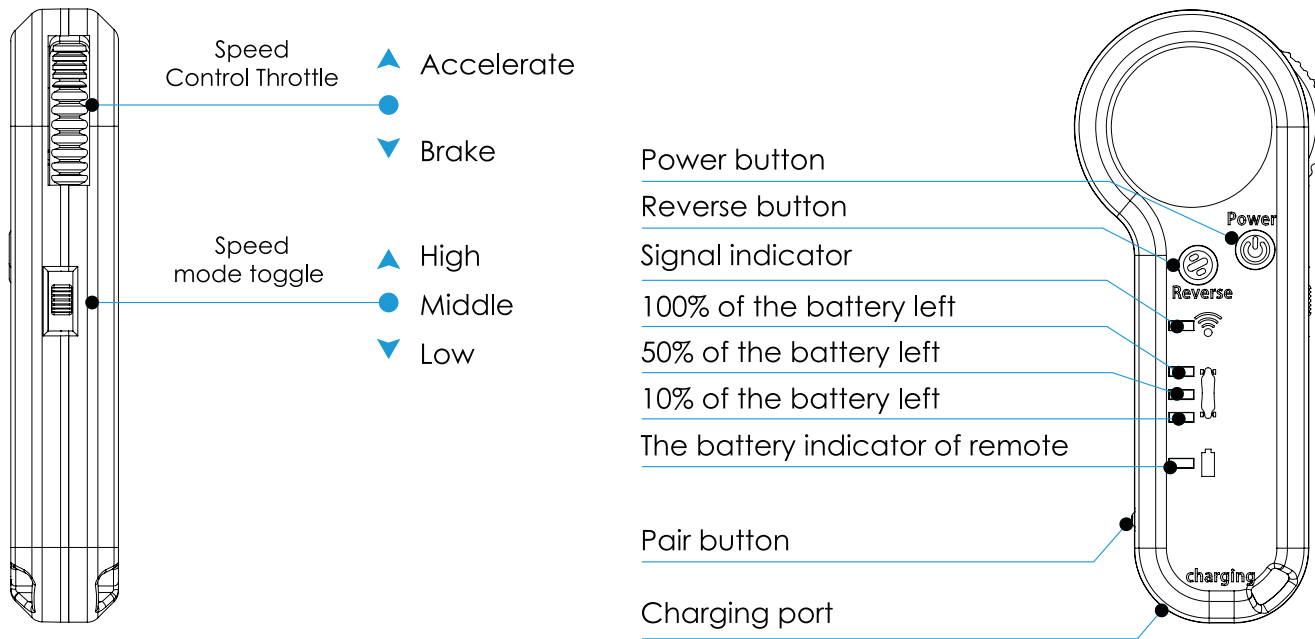
- 1 Front Wheel
- 2 Front Truck
- 3 Deck
- 4 Battery Indicator
- 5 Charge Port
- 6 Power Button
- 7 Heat Sink Hole
- 8 Rear Wheel
- 9 Brushless Motor
- 10 Battery

# Specifications

<b>Deck</b>	Material	8 Layers Maple + 2 Layers bamboo	<b>Package</b>	Skateboard Size	1170*460*240MM
	Size	980MM		Carton Size	1220*485*290MM
<b>Wheel</b>	Material	Pneumatic tire	<b>Weight</b>	N.W.	14KG
	Size	9inch		G.W.	19.5KG
<b>Motor</b>	Type	6354 High Speed Motor	<b>Speed</b>	Low Speed	15km/h
	Power	1650W*2		Medium Speed	25km/h
<b>Endurance</b>		22KM		High Speed	40km/h
<b>Battery</b>	Type	10S5P Lithium battery	<b>Remote</b>	Battery Capacity	200mAh
	Charging Voltage	36V		Frequency	2.4GHz
	Capacity	10000mAh		Remote Control distance	14m
	Charging Time	6 hours		Charging Time	2 hours



# Remote Control Diagram



- ▶ If the battery indicator of the remote shows red, it means the remote control is in low battery and the remote control can only be used to operate the brake function. Only when the battery indicator of the remote shows green, you can use the remote control to operate accelerate and decelerate function.

# PAIR INSTRUCTION

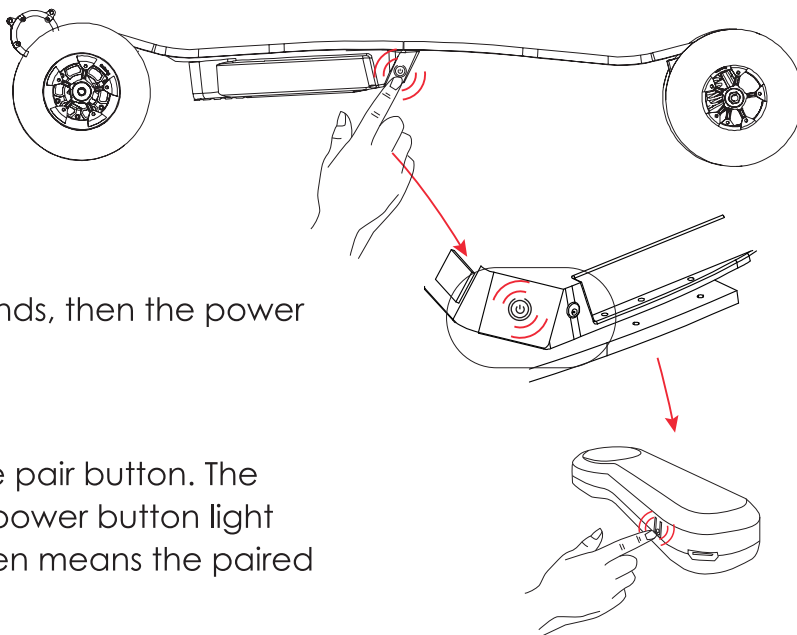
At the first step, the Board and Remote must be paired. Before starting, ensure the Board and Remote are turn off

Turn on the board

Press the power button for 5 seconds, then the power button light will flash.

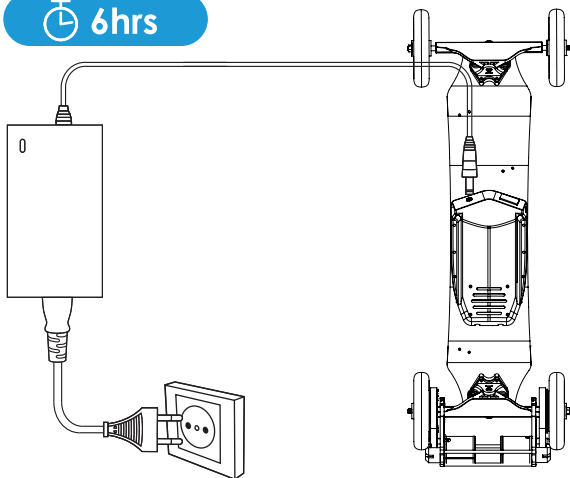
Turn on the remote, then press the pair button. The signal indicator will flash and the power button light will flash with same frequency. Then means the paired successfully.

Push the joystick, forward to test the acceleration and backward to test the brake. After tested all function work normal you can start your riding.



# CHARGE THE REMOTE / BOARD

⌚ 6hrs



1. Plug the charger into the mains socket . The light on the charger lights up green.

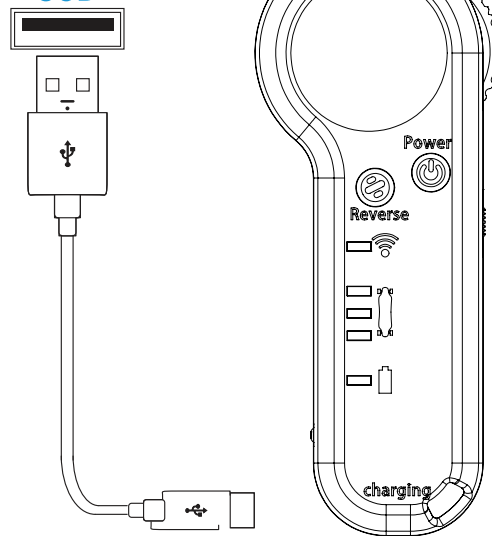
2. Plug the other end of the charger into the device. The indicator on the charger will turn red.

When the indicator turns from red to green, the charging is complete, disconnect the charger from the device and electrical outlets. Do not overcharge the device, as it may affect battery life.



**WARNING:** Never leave board unattended while charging.

USB



⌚ 2 hours

Remote charge time 2 hours. Indicator will turn from red to green when fully charged.

# Battery Safety Usage Warnings

## When Using the Battery

- (1) Misusing the battery may cause the battery to get hot, rupture, or ignite and cause serious injury. Be sure to follow the safety rules listed below:
  - Do not place the battery in fire or direct contact with heat.
  - Do not pierce the battery with sharp objects, strike the battery, step on the battery, or otherwise subject it to strong impacts or shocks.
  - Do not expose the battery to water or any liquids, or allow the battery to get wet.
- (2) Do not disassemble or modify the battery. The battery contains safety and protection devices that, if damaged, may cause the battery to generate heat, rupture, or ignite.
- (3) Do not place the battery on or near fires, stoves, or other high-temperature locations. Do not place the battery in direct sunlight, or use or store the battery inside cars in hot or cold weather. Doing so may cause the battery to generate heat, rupture, or ignite. Using the battery in this manner may also result in a loss of performance and a shortened life expectancy.

# ROUTINE MAINTENANCE

- Regularly inspecting your board for damage and checking that it is running properly.
- Before riding make sure all screws are tight.
- Do not clean the board with harsh abrasives or chemicals; use a semi-damp cloth to wipe off dust and dirt from belts, bearings and wheels.
- Turn off the board and remote controller when not in use.
- Keep your board battery fully charged when not in use.
- Recharge the battery every 3 months.
- Do not leave the board charging unattended.
- Disconnect the battery from charger once it is fully charged.
- Do not modify the electrical controls or wiring.

# WARRANTY

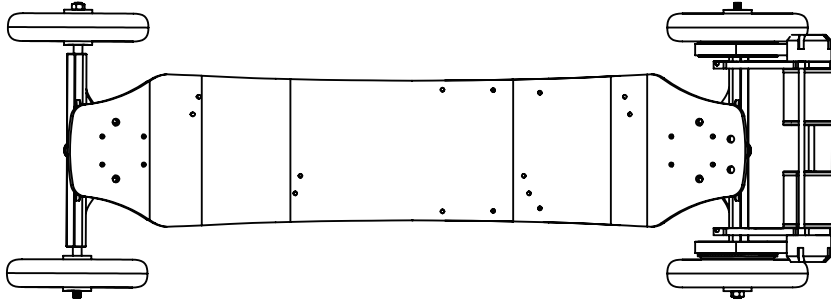
## LIMITED WARRANTY:

- We offer 12 months warranty on all parts of the electric skateboard from the date when you receive the board except for the battery.
- We offer 6 months warranty on the battery.
- This warranty excludes damage resulting from abuse, accident, modifications, unau-thorized repairs, neglect, abuse, water damage, or other causes that are not defects in materials and workmanship.
- This warranty excludes normal depletion of consumable parts(grip tape, wheels & bearings) unless due to a defect in materials or workmanship.

## Warranty Card

<b>Information I:</b>			
<b>Model</b>		<b>Repair Date</b>	
<b>Fault Phenomenon</b>			
<b>Analysis of Causes</b>			
<b>Signature of Analyst</b>		<b>SN</b>	

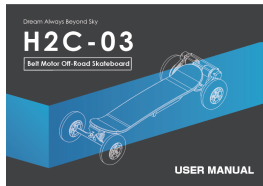
# Packaging List



**Electric Skateboard**



**Remote**



**User Manual**



**USB Cable**



**Charge**



**T tool**



**Plug**



CE   RoHS

---

**CAUTION:** DO NOT SHORT-CIRCUIT, DISASSEMBLE  
OR EXPOSE THE BATTERY TO FIRE OR WATER

MADE IN CHINA